





Operating and installation instructions

Wine conditioning unit



To avoid the risk of accidents or damage to the appliance it is **essential** to read these instructions before it is installed and used for the first time.

Contents

Warning and Safety instructions	4
Caring for the environment	11
How to save energy	12
Guide to the appliance	13
Symbols.....	14
Accessories	16
Accessories supplied	16
Optional accessories.....	16
Switching on and off	17
Before using for the first time.....	17
Operating the wine conditioning unit	17
Switching on.....	17
Switching off.....	18
Switching off for longer periods of time	18
Selecting further settings	19
Safety lock 	19
Audible tones 	20
Display brightness 	21
The optimum temperature and air quality	22
The optimum temperature.....	22
Setting the temperature.....	23
Temperature display	24
Air quality and humidity.....	25
DynaCool (constant humidity) 	25
Air filtering with the Active AirClean filters.....	26
Temperature and door alarm	27
Feature lighting	29
Switching the feature lighting on and off.....	29
Setting the brightness of the feature lighting	29
Lighting duration of the feature lighting	30
Storing wine bottles	31
Wooden shelves	31
Moving the wooden shelves.....	32
Adjusting the wooden shelves	32
Annotating wooden shelves	33
Bottle presenter	33

Maximum capacity	34
Automatic defrosting	35
Cleaning and care	36
Cleaning agents.....	36
Before cleaning	37
Cleaning the outer casing, the door, the interior and accessories.....	37
Cleaning the ventilation gaps	38
Cleaning the door seal	38
Cleaning the compressor and metal grille at the back of the appliance.....	38
Active AirClean filters	39
Replacing the Active AirClean filters	39
Problem solving guide	41
Noises	46
Miele@home	47
After Sales / Guarantee	49
Information for test institutes	50
Information for dealers	51
Demo mode ■.....	51
Electrical connection	53
Installation	54
Location.....	54
Climate range	54
Ventilation.....	55
Fitting wall spacers supplied.....	55
Installation	55
Niche floor	55
Aligning the wine conditioning unit	56
Door opening angle limiter	56
Appliance dimensions	57
Dimensions when the door is opened.....	57
Changing the door hinging	58

Warning and Safety instructions

This wine conditioning unit complies with all statutory safety requirements. Please note that inappropriate use can lead to personal injury and damage to property.

To avoid the risk of accidents and damage to the appliance, please read these instructions carefully before using it for the first time. They contain important notes on installation, safety, use and maintenance.

Miele cannot be held liable for non-compliance with these instructions.

Keep these instructions in a safe place and ensure that new users are familiar with the contents. Pass them on to any future owner.



Glass breakage.

Danger of injury from broken glass.

If installed at altitudes above 1500 m there is a risk of the glass in the door breaking because of changes in air pressure. Shards of glass can cause severe injury if not handled with care.

Correct application

- ▶ This wine conditioning unit is intended for use in domestic households and similar working and residential environments. It is not intended for outdoor use.
- ▶ The wine conditioning unit is intended for domestic use only for storing wine. It must not be used for any other purpose.

Warning and Safety instructions

▶ The wine conditioning unit is not suitable for storing and keeping cool medicines, blood plasma, laboratory preparations or other such materials or products. Incorrect use of the wine conditioning unit for such purposes can cause deterioration of the items stored. The wine conditioning unit is not suitable for use in areas where there is a risk of explosion.

Miele cannot be held liable for damage resulting from improper or incorrect use of the appliance.

▶ The wine conditioning unit can only be used by people with reduced physical, sensory or mental capabilities, or lack of experience and knowledge, if they are supervised whilst using it, or have been shown how to use it in a safe way and recognise and understand the consequences of incorrect operation.

Safety with children

▶ Children under 8 years of age must be kept away from the wine conditioning unit unless they are constantly supervised.

▶ Children 8 years and older may only use the wine conditioning unit unsupervised if they have been shown how to use it safely and recognise and understand the consequences of incorrect operation.

▶ Children must not be allowed to clean or maintain the wine conditioning unit unsupervised.

▶ Please supervise children in the vicinity of the wine conditioning unit and do not let them play with it.

Warning and Safety instructions

▶ Danger of suffocation. Packaging, e.g. plastic wrappings, must be kept out of the reach of babies and children. Whilst playing, children could become entangled in packaging or pull it over their head and suffocate.

Technical safety

▶ The coolant system is tested for leaks. The wine conditioning unit complies with statutory safety requirements and the appropriate EU guidelines.

▶ This wine conditioning unit contains the coolant Isobutane (R600a), a natural gas which is environmentally friendly. Although it is flammable, it does not damage the ozone layer and does not increase the greenhouse effect.

The use of this coolant has, however, led to a slight increase in the noise level of the appliance. In addition to the noise of the compressor, you might be able to hear the coolant flowing around the system. This is unavoidable, and does not have any adverse effect on the performance of the appliance.

Care must be taken during the transportation and setting up of the wine conditioning unit that no parts of the cooling system are damaged. Leaking coolant can damage the eyes.

In the event of any damage:

- avoid naked flames or anything which creates a spark,
- disconnect the appliance from the mains electricity supply,
- ventilate the room where the wine conditioning unit is located for several minutes, and
- contact the Miele Service Department.

Warning and Safety instructions

- ▶ The more coolant there is in a wine conditioning unit, the larger the room it should be installed in. In the event of a leakage, if the appliance is in a small room, there is the danger of combustible gases building up. For every 8 g of coolant at least 1 m³ of room space is required. The amount of coolant in the wine conditioning unit is stated on the data plate inside the appliance.
- ▶ To avoid the risk of damage to the wine conditioning unit, make sure that the connection data (fuse rating, frequency and voltage) on the data plate corresponds to the household supply. Check that this is the case before connecting the wine conditioning unit. Consult a qualified electrician if in any doubt.
- ▶ The electrical safety of the wine conditioning unit can only be guaranteed when correctly earthed. It is essential that this standard safety requirement is met. If in any doubt please have the electrical installation tested by a qualified electrician.
- ▶ Reliable and safe operation of the wine conditioning unit can only be assured if it has been connected to the mains electricity supply.
- ▶ If the electrical connection cable is faulty it must only be replaced by a Miele authorised service technician to protect the user from danger.
- ▶ Do not connect the wine conditioning unit to the mains electrical supply by a multi-socket adapter or extension lead. These are a fire hazard and do not guarantee the required safety of the appliance.
- ▶ Do not use in a damp or wet environment (e.g. garage or utility room). Moisture could reach live components or the electrical connection and cause a short circuit.

Warning and Safety instructions

- ▶ This wine conditioning unit must not be used in a non-stationary location (e.g. on a ship).
- ▶ Do not use a damaged wine conditioning unit. It could be dangerous. Check the wine conditioning unit for visible signs of damage.
- ▶ The wine conditioning unit must be isolated from the electricity supply during installation, maintenance and repair work.
- ▶ Unauthorised installation, maintenance and repairs can cause considerable danger for the user. Installation, maintenance and repairs must only be carried out by a Miele authorised technician.
- ▶ While the wine conditioning unit is under guarantee, repairs should only be undertaken by a Miele authorised service technician. Otherwise the guarantee is invalidated.
- ▶ Miele can only guarantee the safety of the appliance when genuine original Miele replacement parts are used. Faulty components must only be replaced by Miele spare parts.

Correct use

- ▶ The wine conditioning unit is designed for use within a certain climate range (ambient temperatures), and should not be used outside this range. The climate range for your wine conditioning unit is stated on the data plate inside the appliance. Installing it in a room with too low an ambient temperature, e.g. a garage, will lead to the wine conditioning unit switching off for longer periods so that it cannot maintain the required temperature.
- ▶ Do not cover or block the air vents as this could impair the efficiency of the appliance, increase the electricity consumption and could cause damage to the components.
- ▶ If the wine conditioning unit is used for storing food which contains fat or oil, make sure that it does not come into contact with plastic components as any spillages of oil or fat could cause stress cracks to the plastic and cause it to break or split.

Warning and Safety instructions

- ▶ Do not store explosive materials in the wine conditioning unit or any products containing propellants (e.g. spray cans). Electrical components could cause flammable vapours to ignite. Danger of fire and explosion.
- ▶ Do not operate any electrical equipment (e.g. an electric ice cream maker) inside the wine conditioning unit. Danger of sparking and explosion.
- ▶ Only use genuine original Miele accessories and spare parts with this appliance. Using accessories or spare parts from other manufacturers will invalidate the guarantee, and Miele cannot accept liability.

Cleaning and care

- ▶ Do not use any oils or grease on the door seals, as these will cause the seals to deteriorate and become porous with time.
- ▶ Do not use a steam cleaning appliance to clean this wine conditioning unit.
The steam could reach electrical components and cause a short circuit.
- ▶ Sharp edged or pointed objects will damage the evaporator, causing irreversible damage to the wine conditioning unit. Do not use sharp edged or pointed objects to
 - remove frost and ice,
 - remove labels, stickers etc.

Warning and Safety instructions

Transporting the appliance

- ▶ Always transport the wine conditioning unit in an upright position and in its original transport packaging to avoid damage in transit.
- ▶ Danger of injury and damage. The wine conditioning unit is very heavy and must be transported by two people.

Disposing of your old appliance

- ▶ Before disposing of an old appliance, first make the door latch or lock unusable.
This way you will prevent children from accidentally locking themselves in and endangering their lives.
- ▶ Splashes of coolant can damage the eyes. Be careful not to damage any part of the pipework whilst awaiting disposal, e.g. by
 - puncturing the coolant channels in the condenser,
 - bending any pipework, or
 - scratching the surface coating.

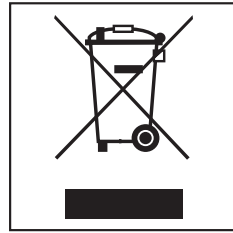
Disposal of the packing material

The packaging is designed to protect the wine conditioning unit from damage during transportation. The packaging materials used are selected from materials which are environmentally friendly for disposal and should be recycled.

Recycling the packaging reduces the use of raw materials in the manufacturing process and also reduces the amount of waste in landfill sites.

Disposal of your old appliance

Electrical and electronic appliances often contain valuable materials. They also contain materials which, if handled or disposed of incorrectly, could be potentially hazardous to human health and to the environment. They are, however, essential for the correct functioning of your appliance. Please do not therefore dispose of it with your household waste.



Please dispose of it at your local community waste collection / recycling centre.

Take care not to damage the pipework at the back of it before or during transportation to an authorised collection depot.

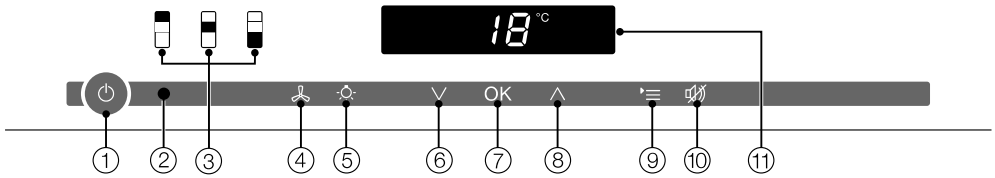
In this way, coolant in the pipework and oil in the compressor will be contained, and will not leak into the environment.

Please ensure that your old appliance presents no danger to children while being stored awaiting disposal. See "Warning and Safety instructions" for more information.

How to save energy

	Normal energy consumption	Increased energy consumption
Installation site / Maintenance	In a ventilated room.	In an enclosed, unventilated room.
	Protected from direct sunlight.	In direct sunlight.
	Not near to a heat source (radiator, oven).	Near to a heat source (radiator, oven).
	Where the ideal ambient room temperature is approx. 20 °C.	Where there is a high ambient room temperature.
	Ventilation gaps uncovered and dusted regularly.	Ventilation gaps covered or dusty.
	Compressor and metal grille (heat exchanger) at the back of the appliance dusted at least once a year.	Dust build-up on the compressor and metal grille (heat exchanger).
Temperature setting	10 to 12 °C	The lower the temperature, the higher the energy consumption.
Use	Wooden shelves arranged as they were when the appliance was delivered.	
	Only open the door when necessary and for as short a time as possible. Store wine bottles in an organised way.	Frequent opening of the door for long periods will cause a loss of coldness. The wine conditioning unit works harder to cool down and the compressor runs for longer periods.
	Do not over-fill the appliance to allow air to circulate.	Poor air circulation will cause a loss of coldness.







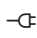

Control panel



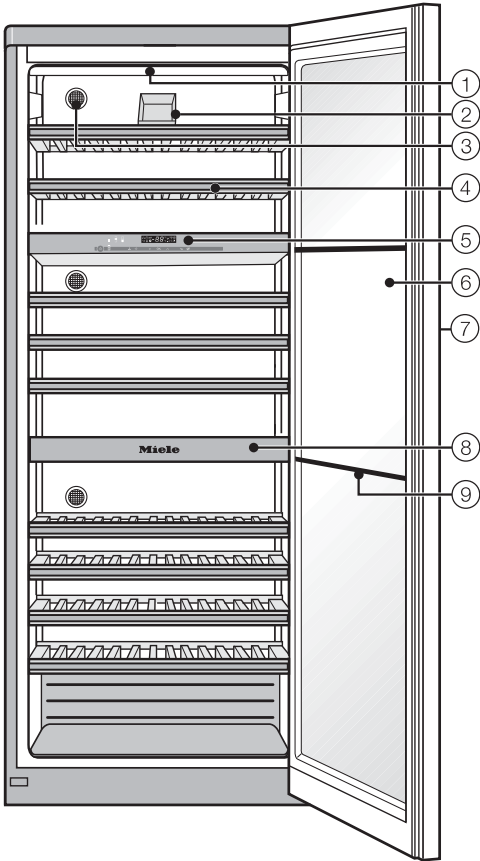
- ① For switching the whole wine conditioning unit on and off
- ② Optical interface (for Service technicians only)
- ③ For selecting the upper, middle or lower wine conditioning zone
- ④ For switching the DynaCool function (constant humidity) on and off
- ⑤ For switching the feature lighting on and off
- ⑥ For setting the temperature (∇ for colder)
- ⑦ OK sensor for confirming a selection
- ⑧ For setting the temperature (∧ for warmer)
- ⑨ Sensor for accessing or leaving settings mode
- ⑩ For switching off the temperature or door alarm
- ⑪ Display with temperature and symbols (symbols only visible in settings mode; see chart for an explanation of the symbols)

Guide to the appliance

Symbols

Symbol	Meaning	Function
	Safety lock	To prevent inadvertent switching off and altering of settings
	Audible tones	Choice of sensor tone and door alarm tone
	Miele@home	Only visible when a communication module or communication stick is fitted and signed on (see "Miele@home")
	Demo mode (only visible when Demo mode is switched on)	For switching off Demo mode
	Display brightness settings	For adjusting the brightness of the display
	Active AirClean filters	Lights up when the active charcoal filter needs changing
	Mains connection	Confirms that the appliance is connected to the electricity supply when it is not switched on; flashes in the event of a power cut
	Alarm	Lights up when there is a door alarm; flashes when there is a temperature alarm, power cut or a fault

Guide to the appliance



- ① Lighting strip
(in all three wine conditioning zones)
- ② Bottle presenter (Selector)
- ③ Active AirClean filter
(in all three wine conditioning zones)
- ④ Wooden shelves with labels
(FlexiFrames with Noteboard)
- ⑤ Isolator plate for thermal separation
of the zones with controls for the up-
per, middle and lower wine condi-
tioning zones
- ⑥ Safety glass door with UV filter
- ⑦ Integrated door handle
- ⑧ Isolator plate for thermal separation
of the different conditioning zones
- ⑨ Isolator strips for thermal separation
of the different conditioning zones

Accessories

Accessories supplied

Active AirClean filter

The active charcoal filters in the back wall achieve optimum air quality by filtering the incoming air.

Chalk

Use the chalk to annotate the magnetic strips on the wooden shelves to identify your wines quickly and easily.

Optional accessories

A range of useful Miele accessories and care products are available for your appliance.

Active AirClean filters

See "Accessories supplied".

Multi-purpose microfibre cloth

The microfibre cloth is suitable for removing fingerprints and light soiling from surfaces such as stainless steel, glass, plastic and chrome without the use of chemicals.

Stainless steel care

Each application of the **stainless steel conditioner** (supplied in a bottle) forms a water and dirt repellent protective coating. It gently removes water marks, fingerprints and other dirt for a uniformly shiny surface.

The **stainless steel cleaning cloth** is impregnated with stainless steel conditioner for optimum cleaning and protection.

Accessories are available to order via the Miele Webshop, from Miele directly (see back cover for contact details) or from your Miele dealer.

Before using for the first time

Packaging material

- Remove all packaging material from the inside of the appliance.

Protective foil

Stainless steel surfaces have a layer of protective foil to prevent scratching during transportation.

- Do not remove the foil until the wine conditioning unit has been positioned in its final location. Start at one of the top corners.

Cleaning and care

Please refer to the relevant instructions in "Cleaning and care".

Tip: We recommend treating stainless steel surfaces with the Miele stainless steel conditioning agent immediately after removing the protective foil (see "Accessories - Optional accessories").

Important. Each time it is used, the Miele stainless steel conditioning agent forms a water and dirt repellent protective coating.


- Clean the inside of the appliance and the accessories.

Operating the wine conditioning unit

A light touch of the finger on the sensors is all that is required to operate this wine conditioning unit.


A tone will sound each time a sensor is touched. You can deactivate this, if you wish (see "Selecting further settings - Audible tones").

Switching on

When the wine conditioning unit is connected to the electrical supply, the mains connection symbol  will appear in the display after a short while.




- Touch the On/Off sensor.


The mains connection symbol  will go out and the wine conditioning unit will start to cool.



The sensors for the upper, middle and the lower wine conditioning zones will then appear in the control panel. The selected zone will be highlighted yellow and the temperature of the selected zone will show in the display.

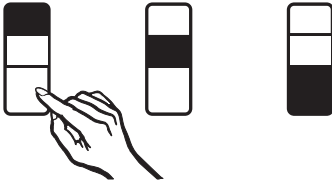
The first time the appliance is switched on the sensors for the wine conditioning zones and the Alarm symbol  will flash until the selected temperature has been reached in the zones.

Switching on and off

As soon as the set temperature has been reached, the sensor for the respective wine conditioning zone will light up constantly. The alarm symbol  will go out as soon as the set temperatures have been reached in each zone.

The interior lighting will come on when the door is opened.

A different setting can be set for each zone.



- Touch the sensor for the wine conditioning zone you want to adjust the settings for.

The sensor that has been selected is highlighted in yellow.


- You can now set the temperature, and
- switch on the DynaCool function.


Please refer to the relevant section for more information.

If you then select a different wine conditioning zone, the settings for the previously selected zone will remain unchanged.

Switching off



- Touch the On/Off sensor. If this does not work, the safety lock  is still activated.

The sensors for the two wine conditioning zones will then go out. The temperature display will go out and the mains connection symbol  will appear.

The interior lighting will go out and the cooling process will be switched off.

Switching off for longer periods of time

If the wine conditioning unit is not going to be used for a longer period of time, e.g. whilst on holiday:

- switch it off,
- disconnect it from the mains,
- clean it out, and
- leave the door ajar to air the wine conditioning unit and avoid odours building up inside it.

If, during a long absence, the wine conditioning unit is switched off but not cleaned and the door left shut, there is a danger of mould building up inside the appliance.

Selecting further settings

Certain settings on the wine conditioning unit can only be selected in settings mode.

The door alarm is automatically disabled when the appliance is in settings mode.

Safety lock


The safety lock can be activated to prevent:

- the appliance being switched off by mistake,
- the temperature being changed by mistake,
- DynaCool being switched on by mistake,
- the feature lighting being switched on by mistake.

Activating or deactivating the safety lock




- Touch the settings sensor.

All symbols available for selection will appear in the display and the  symbol flashes.



- Touch the OK sensor to confirm your selection.


The last selected setting flashes and the  symbol lights up in the display.



- By touching the \wedge or \vee sensor, you can now select whether the safety lock is activated or deactivated:
 O : the safety lock is deactivated
 I : the safety lock is activated




- Touch the OK sensor to confirm your selection.

The selected setting is applied, the  symbol flashes.



- Touch the settings sensor to leave settings mode.
Otherwise the appliance exits settings mode automatically after approximately one minute.

The  symbol will appear in the display when the lock is activated.

Selecting further settings

Audible tones 🎵

The wine conditioning unit has audible tones such as the sensor tone and the door and temperature alarms.

You can switch the sensor tone or the door alarm tone on or off but you cannot deactivate the temperature alarm.

There are four settings to choose from. Option 3 is set the factory, i.e. the sensor tone and the door alarm are switched on.

Switching audible tones on/off



- Touch the settings sensor.

All symbols available for selection will appear in the display and the 🔒 symbol flashes.



- Touch the sensors for setting the temperature (∧ or ∨) repeatedly until the 🎵 symbol flashes.



- Touch the OK sensor to confirm your selection.

The last selected setting flashes and the 🎵 symbol lights up in the display.



- By touching the ∧ or ∨ sensor you can now select:
 - 0: sensor tone off; door alarm off
 - 1: sensor tone off; door alarm on (after 4 minutes)
 - 2: sensor tone off; door alarm on (after 2 minutes)
 - 3: sensor tone on; door alarm on (after 2 minutes)



- Touch the OK sensor to confirm your selection.

The selected setting is applied, the 🎵 symbol flashes.



- Touch the settings sensor to leave settings mode. Otherwise the appliance exits settings mode automatically after approximately one minute.

Selecting further settings

Display brightness ☀


The display brightness can be adjusted to suit lighting conditions in the room.

The display brightness can be adjusted in steps from 1 to 3. The factory default setting is 3 (maximum brightness).

Altering the display brightness



- Touch the settings sensor.

All symbols available for selection will appear in the display and the  symbol flashes.



- Touch the sensors for setting the temperature (^ or v) repeatedly until the ☀ symbol flashes.



- Touch the OK sensor to confirm your selection.

The last selected setting flashes and the ☀ symbol lights up in the display.



- By touching the ^ or v sensor you can now alter the brightness of the display:
1: dimmest setting
2: medium setting
3: brightest setting.



- Touch the OK sensor to confirm your selection.

The selected setting is applied, the ☀ symbol flashes.



- Touch the settings sensor to leave settings mode.
Otherwise the appliance exits settings mode automatically after approximately one minute.

The optimum temperature and air quality

Wine keeps on maturing depending on the surrounding conditions. The length of time for which wine can be kept in good condition will therefore depend not only on the temperature but also on the air quality.

The wine conditioning unit with its constant ideal temperature, increased air humidity and odour free atmosphere offers the perfect conditions for storing your wine.

It also guarantees a vibration-free environment (in contrast to a refrigerator) so that the maturing process is not disturbed.

The optimum temperature

Wine can be stored at a temperature between 6 und 18 °C. If you are storing white and red wines together, select a temperature between 12 und 14 °C. This is suitable for both white and red wines. Red wine should be taken out of the wine conditioning unit and opened at least two hours before drinking to allow it to breathe and develop its aroma.

At too high a temperature (over 22 °C) wine matures too quickly, which prevents the aromas from developing further. Wine cannot mature fully at too low a temperature (below 5 °C).

Fluctuations in temperature put wine under stress and interrupt the maturing process. It is therefore very important to maintain a constant temperature.

Type of wine	Recommended drinking temperature
Light, fruity reds:	+14 °C to +16 °C
Full-bodied reds:	+18 °C
Rosé wines:	+8 °C to +10 °C
Delicate, aromatic whites:	+8 °C to +12 °C
Full-bodied or sweet whites:	+12 °C to +14 °C
Champagne, sparkling white wines:	+6 °C to +10 °C

Tip: Store the wine 1 or 2°C cooler than the recommended drinking temperature as it warms up a little when poured into the glass.

Tip: Full-bodied reds should be opened for 2-3 hours before drinking to allow the wine to breathe and develop its aroma.

The optimum temperature and air quality

Safety device in case of low ambient temperatures

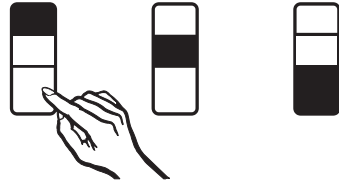
The appliance is equipped with a safety thermostat to protect your wine against a sharp drop in temperature. If the external temperature should fall, a heater element switches on automatically to keep the temperature inside as constant as possible. If the ambient temperature continues to fall, the appliance switches itself off automatically.

Isolator plates for thermal separation

The appliance has two fixed isolator plates which divide the cabinet into three different zones. This enables you to store up to three different types of wine at the same time, e.g. red wine, white wine and Champagne. The isolator strips on the inside of the glass door prevent an exchange of heat between the individual zones.

Setting the temperature

The temperature in the wine conditioning zones can be set independently of one another.



- Touch the sensor for the zone for which you wish to change the temperature, so that it is highlighted in yellow.

The current temperature for the selected zone appears in the display.

- Use the two sensors underneath the display to set the temperature.

By touching the sensor



- the temperature will get colder



- the temperature will get warmer.

The optimum temperature and air quality



- Touch the OK sensor to confirm your selection
or
- wait approximately 5 seconds after the last touch of the sensor.

The temperature being set will flash in the display.

The following information shows in the display while the sensors are being touched:

- Touching a sensor once: the **last temperature selected** flashes.
- Each subsequent touch of the sensor: adjusts the temperature shown in 1 °C steps.
- Leaving a finger on the sensor changes the temperature continuously.

A tone will sound (if the sensor tone is switched on) when the lowest or highest possible temperature is reached.

Approximately 5 seconds after the last time a sensor has been touched, the **actual** temperature inside the appliance is automatically shown.

When the temperature is altered, there is a short delay until the temperature selected is set.

The temperature display on the control panel always shows the **actual** temperature.

Temperature range

In all three zones it is possible to set temperatures between 5 and 20 °C.

Temperature display

In normal operation the temperature display shows the actual temperature in the zone.

If the temperature in one of the zones is not within the range that the appliance is able to display, dashes will light up in the temperature display.

Depending on the ambient temperature and the temperature setting, it can take the appliance a few hours to reach the temperature required and for this temperature to then be shown as a constant temperature in the display.

The optimum temperature and air quality

Air quality and humidity

A conventional refrigerator with its low humidity level is not the best place to store wine. It is very important to store wine in an atmosphere with a high humidity level so that the corks remain moist on the outside. Low humidity causes corks to dry out from the outside so they do not seal the bottles as tightly. Wine should be stored lying down to keep the corks moist from the inside too. Air entering the bottle will inevitably spoil the wine.

Do **not** introduce additional moisture into the air, e.g. by placing a dish of water in the appliance, as this will lead to condensation on the interior walls, which can cause corrosion damage.

DynaCool (constant humidity)



DynaCool raises the relative humidity inside the appliance. DynaCool also distributes the humidity and the temperature evenly around the interior so that you can store all your wine under exactly the same excellent conditions. This will create a stable climate in the cabinet which imitates that of a wine cellar.

Switching on DynaCool

If you would like to use the wine conditioning unit to store wine long term, we recommend that you keep the DynaCool function switched on.



- Touch the sensor for switching the DynaCool function on and off so that it is highlighted in yellow.

Even if the DynaCool function has not been switched on, the fans in the appliance will come on automatically when the cooling system switches on to ensure your wine is kept in the optimum climate.

The fans automatically switch off when the door is open.

Switching off DynaCool

The appliance uses slightly more energy and is a little noisier when the DynaCool function is switched on. You can switch it off now and then if you wish.

The optimum temperature and air quality



- Touch the sensor for switching the DynaCool function on and off so that it is no longer highlighted in yellow.

Air filtering with the Active AirClean filters

The Active AirClean filters achieve optimum air quality by filtering the incoming air.

Fresh air from the room enters the appliance via the Active AirClean filters. The fans (DynaCool function) then distribute the air evenly throughout the cabinet.


Filtering the incoming air through the Active AirClean filters ensures that all the air entering the appliance is fresh and free from dust and odours.

This also ensures your wine does not absorb any unwanted odours through the corks.

Replace the Active AirClean filters regularly. The 🌐 symbol will appear in the display to remind you (see "Active AirClean filters").

This wine conditioning unit is equipped with an alarm system so that the temperature cannot rise or fall unnoticed, thus possibly damaging the wine.


Temperature alarm

If the temperature in one of the wine conditioning zones rises or falls by a certain amount, the sensor for that zone will flash in the control panel and at the same time the alarm symbol  will flash in the display.

An alarm will also sound.

Audible and visual signals will be activated, for example,

- when the wine conditioning unit is switched on and the temperature in one of the temperature zones differs greatly from the set temperature,
- when too much warm ambient air enters the cabinet when bottles are being rearranged or taken out,
- when a large number of bottles are stored for the first time,
- in the event of a power cut.

As soon as the cause of the alarm has been rectified, the alarm will stop and the alarm symbol  will go out. The sensor for the relevant zone will light up constantly again.


Switching the temperature alarm off early

If the noise disturbs you, you can switch the alarm off if you wish.




- Touch the sensor for switching off the temperature alarm.


The alarm will stop.

The relevant wine conditioning zone will continue to flash in the control panel and the alarm symbol  will continue to flash in the display until the cause of the alarm has been rectified.

Temperature and door alarm

Door alarm

The alarm will sound if the door is left open for more than approx. two minutes. The sensors for the wine conditioning zones will flash in the control panel. The alarm symbol  will light up in the display.

The alarm will stop when the door is shut. The sensors for the wine conditioning zones and the alarm symbol  will go out.


Switching the door alarm off early

If the noise disturbs you, you can switch the alarm off if you wish.



- Touch the sensor for switching off the door alarm.

The alarm will stop.

The sensors for the wine conditioning zone will continue to flash and the alarm symbol  will remain lit up until you close the door.

If the audible tone does not sound in the event of a door alarm, then the audible tone has been switched off in settings mode (see "Selecting further settings - Audible tones").

The interior lighting can be set to remain on when the door is closed so your wines can be on display at all times.

Each wine conditioning zone has its own lighting strip so that all three zones are illuminated.

Thanks to the use of LED lighting, the wine will not be adversely affected by heat or UV light.

Switching the feature lighting on and off



- Touch the On/Off sensor for the feature lighting so that it is highlighted in yellow.

The interior lighting is now switched on, even when the door is closed.

To switch the feature lighting off again:

- Touch the On/Off sensor for the feature lighting so that it is no longer highlighted in yellow.

The interior lighting is now switched off when the appliance door is closed.

Setting the brightness of the feature lighting

The brightness of the feature lighting can be adjusted.



- Touch the On/Off sensor for the feature lighting so that it is highlighted in yellow.
- Touch the sensor for the feature lighting again for approx. four seconds until *l* flashes in the display (after two seconds *h* will flash).
- Use the ∇ and \blacktriangle sensors for altering the temperature to set the feature lighting brightness. Touch and hold the sensors. The brightness will immediately start to adjust gradually up or down.

By touching the sensor



- the lighting becomes dimmer



- the lighting becomes brighter.



- Touch the OK sensor to confirm your choice.

The selected brightness is saved and the temperature reappears in the display.

As soon as the appliance door is closed, the set brightness for the feature lighting takes effect. When the appliance door is opened, the interior lighting returns to its normal level.

Feature lighting

Lighting duration of the feature lighting

The lighting duration for the feature lighting is set to 30 minutes as standard.

The lighting duration can be set to 30, 60, 90 minutes up to 00 (unlimited). The feature lighting will have the brightness setting you have selected previously.

- Open the appliance door.



- Touch the On/Off sensor for the feature lighting so that it is highlighted in yellow.

- Touch the sensor for the feature lighting again for approx. two seconds until *h* flashes in the display.

- Use the ∇ and \wedge sensors for altering the temperature to set the feature lighting duration.

The duration (in minutes) will flash in the display.

By touching the sensor



- lighting duration is reduced by 30 minutes



- lighting duration is increased by 30 minutes.



- Touch the OK sensor to confirm your choice.

The selected lighting duration is saved and the temperature reappears in the display.

The lighting duration set starts anew whenever the appliance door is opened and closed.

Caution. Laser beam class 1M

Do not remove the lighting covers. Should the covers be damaged or need to be removed due to damage, do not use optical instruments (magnifying glass or similar) to look at the lighting.

Storing wine bottles

Vibration and movement have a negative effect on the maturing process which can affect the taste of the wine.

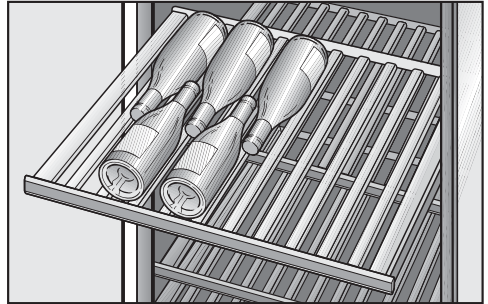
To avoid disturbing other bottles when removing a bottle of wine, store bottles of the same type beside each other on the same shelf. Avoid stacking bottles on top of one another on the wooden shelves.

Always place the bottles lying down so that the corks can be kept moist on the inside and air is prevented from getting into the bottles.

 Danger of injury.

Take care that wine bottles do not fall out of the appliance when you pull out a wooden shelf. Wine bottles could also become wedged in the shelf above.

Wooden shelves



The wooden shelves are on telescopic runners which can be pulled out to make it easier to store and remove bottles. There are two wooden shelves on runners in the middle and lower zones (the second and third shelf from the top in each zone) which can be pulled right out. The remaining wooden shelves can be partially pulled out.

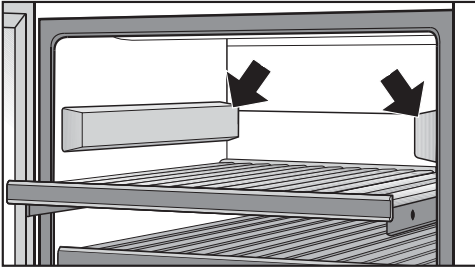
Please note that the uppermost runners in each of the three zones are only suitable for shallow wooden shelves.

Storing wine bottles

Moving the wooden shelves

The wooden shelves can be removed and replaced again if required.

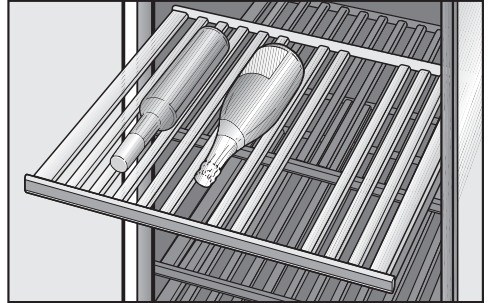
- Pull the wooden shelf out until it stops, then lift it up and off the runners. Hold onto the frame to do this.



- If you require more room (e.g. to set up the bottle presenter), cover the top runners which are not now needed on both sides with the covers supplied. The thicker side of the cover should point forwards. The covers are held in position with magnets.
- To replace the shelf, click it into place on the extended runners. The magnetic strip should be pointing forwards.

Adjusting the wooden shelves

The slats in the wooden shelves can be individually adjusted to suit, so that every bottle is stored in perfect safety regardless of shape or size.

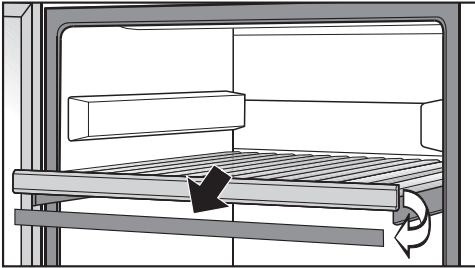


- Simply lift individual slats to move or remove them from the wooden shelves.

Annotating wooden shelves

For quick and easy identification of the wines being stored, you can annotate the blackboard surface on the magnetic strips on the wooden shelves.

Use the chalk supplied. You can write directly on the magnetic strip or remove it from the wooden shelf to do so:



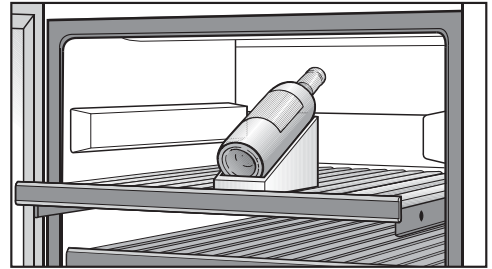
- Hold the magnetic strip by the sides and pull it forwards. The magnetic strip is held on the wooden shelf by magnets.
- Annotate the magnetic strip with the chalk supplied and replace it on the front of the wooden shelf.
- The magnetic strip can be wiped clean with a damp cloth.

Use clean water only to wipe the magnetic strips. **Do not use a cleaning agent** as this would damage the blackboard surface on the magnetic strips.

Bottle presenter

The bottle presenter can be used to raise particular bottles so that they can be viewed when the door is shut.

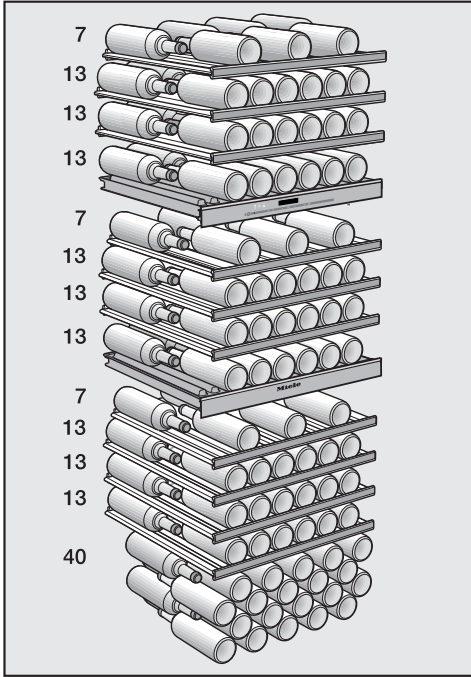
To set up the bottle presenter, the wooden shelf above must be removed:



- Remove the wooden shelf and fit the side covers over the runners.
- Position the bottle presenter at the very front of the wooden shelf required and place the wine bottle on the bottle presenter.
- If desired, switch on the feature lighting (see "Feature lighting") to illuminate the selected bottle.

Storing wine bottles

Maximum capacity



Up to 178 Bordeaux bottles (0.75 l) can be stored in the appliance, 46 in the upper zone, 46 the middle zone and 86 in the lower zone.

The total of 178 bottles can only be achieved by using all the wooden shelves.

The load-bearing capacity of each of the wooden shelves is only 35 kg. Do not stack bottles on the wooden shelves.

The wine conditioning unit defrosts automatically.

Cleaning and care

Do not let water get into the electronic unit or the lighting.

Do not use a steam cleaning appliance to clean this wine conditioning unit. The steam could reach electrical components and cause a short circuit.

The data plate inside the wine conditioning unit must not be removed. It contains information which is required in the event of a service call.

Cleaning agents

To avoid damaging the surfaces of your appliance, **do not use:**

- cleaning agents containing soda, ammonia, acids or chlorides
- cleaning agents containing descaling agents
- abrasive cleaning agents, e.g. powder cleaners and cream cleaners
- solvent-based cleaning agents
- stainless steel cleaning agents
- dishwasher cleaner
- oven sprays
- glass cleaner (except on the glass in the appliance door)
- hard, abrasive sponges and brushes, e.g. pot scourers
- melamine eraser blocks
- sharp metal scrapers

Cleaning and conditioning agents used inside the wine conditioning unit must be food safe.

We recommend using lukewarm water with a little washing-up liquid to clean surfaces of the appliance.

The following pages contain important information on cleaning.

Before cleaning

- Switch off the wine conditioning unit.
- Disconnect it from the mains.
- Take any wine bottles out of the wine conditioning unit and store them in a cool place.
- Take out all other removable parts for cleaning.
- Remove the magnetic strips from the wooden shelves before cleaning them (see "Annotating wooden shelves").

Cleaning the outer casing, the door, the interior and accessories

Clean the wine conditioning unit at least once a month.
Remove soiling immediately to prevent it from drying on.

- Clean the interior with a solution of lukewarm water and a little washing-up liquid.
- The wooden shelves should only be wiped with a well wrung-out damp cloth. **They must not be allowed to get wet.**
- Use clean water only to wipe the magnetic strips at the front of the wooden shelves. **Do not use a cleaning agent** as this would damage the blackboard surface on the magnetic strips.
- After cleaning, wipe the interior and accessories with a damp cloth, and dry with a soft cloth. Leave the door open to air the appliance for a short while.

- Use Miele stainless steel conditioning agent (available from Miele) to clean and care for the stainless steel surfaces on the inside and outside of the appliance. Unlike stainless steel cleaning agents, the conditioning agent does not contain any abrasive substances and will gently remove soiling. Each time it is used, it forms a water and dirt repellent protective coating.
- Make sure you treat the stainless steel surfaces with Miele stainless steel conditioning agent **each time** you clean them. This will give them a water and dirt repellent protective coating and help prevent re-soiling.
- Clean the appliance door with a proprietary glass cleaner.

Cleaning and care

Cleaning the ventilation gaps

A build-up of dust will increase the energy consumption of the appliance.


- The ventilation gaps should be cleaned on a regular basis with a brush or vacuum cleaner (e.g. use the dusting brush for Miele vacuum cleaners)

Cleaning the door seal

Do not use any grease or oil on the door seal as these will cause the seal to deteriorate and become porous over time.

- The door seal should be cleaned regularly with clean water, and then wiped dry with a soft cloth.

Cleaning the compressor and metal grille at the back of the appliance

 When cleaning the compressor and the grille, make sure that the pipework and other components do not get broken or damaged in any way.

The compressor and metal grille at the back of the appliance (heat exchanger) should be dusted at least once a year. A build-up of dust will increase the energy consumption of the appliance.


After cleaning

- Replace all shelves and accessories in the wine conditioning unit.
- Reconnect to the mains and switch the wine conditioning unit back on.
- Place the wine bottles back in the wine conditioning unit and close the door.

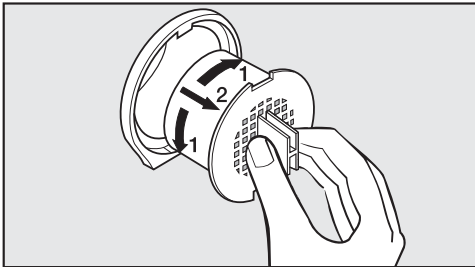
Active AirClean filters

Fresh air from the room enters the wine conditioning unit through the Active AirClean filters. Filtering the incoming air through the Active AirClean filters ensures that all the air entering the appliance is fresh and free from dust and odours.

The reminder to change the Active AirClean filters will appear every 12 months at the latest.

When the Change Active AirClean filter symbol  lights up in the display, the Active AirClean filters in all three wine conditioning zones need to be changed.

Replacing the Active AirClean filters




- Turn the filter 90° clockwise or anti-clockwise.
- Pull the filter out.
- Insert a new filter with the handle in the vertical position.
- Turn the filter 90 °C clockwise or anti-clockwise until it clicks into place.

Active AirClean filters can be obtained from your Miele dealer, Miele or via the internet.


To confirm the filters have been changed



- Touch the settings sensor.


All symbols available for selection will appear in the display and the  symbol flashes.



- Touch the sensors for setting the temperature (✓ or ^) repeatedly until the  symbol flashes.



- Touch the OK sensor to confirm your selection.

The **1** will flash in the display (means: Active AirClean filter is fitted in the appliance), the  symbol lights up.




- Touch the symbols for setting the temperature (✓ or ^) repeatedly, until the **2** symbol is displayed (means: the counter has been reset).

Active AirClean filters



- Touch the OK sensor to confirm your selection.

The selected setting is applied, the  symbol flashes.



- Touch the settings sensor to leave settings mode.

Otherwise the appliance exits settings mode automatically after approximately one minute.

The  in the display goes out.

Problem solving guide

Some minor problems can be corrected without contacting Miele.




If, having followed the suggestions below, you still cannot resolve the problem, please contact Miele.

To prevent unnecessary loss of temperature it is advisable not to open the door while waiting for the wine conditioning unit to be serviced.



Unauthorised installation, maintenance and repairs can cause considerable danger for the user.






Installation, maintenance and repairs must only be carried out by a Miele authorised technician.

Problem	Cause and remedy
The wine conditioning unit is not getting cold, the interior lighting does not come on when the door is opened, and the display is not lit up.	The wine conditioning unit is not switched on and the mains connection symbol  is lit up in the display. ■ Switch on the wine conditioning unit.
	The plug is not inserted in the socket correctly. ■ Insert the plug correctly into the socket. The mains connection symbol  appears in the display when the wine conditioning unit is switched off.
	Check whether the mains fuse has tripped. If it has there could be a fault with the appliance, the household electrical wiring or another electrical appliance. ■ Contact a qualified electrician or Miele.
The control panel and interior lighting are still working.	Demo mode is activated and the  symbol appears in the display. ■ Switch off Demo mode (see "Information for dealers - Demo mode").

Problem solving guide

Problem	Cause and remedy
The compressor is switching on more frequently and for longer periods of time, the temperature in the wine conditioning unit is falling.	The temperature in the wine conditioning unit is set too low. ■ Adjust the temperature.
	The door is not properly closed. ■ Check that the appliance door closes properly.
	The door is being opened frequently. ■ Only open the door when necessary and for as short a time as possible.
	The ventilation gaps have been covered over or become dusty. ■ Do not cover the ventilation gaps and dust them regularly.
	The metal grille (heat exchanger) at the back of the appliance has become dusty. ■ Dust the metal grille.
	The ambient temperature is too warm. ■ Decrease the ambient temperature.

Display warnings


Message	Cause and remedy
<p>The alarm symbol  is lit up in the display. The three sensors for the wine conditioning zones are flashing in the control panel. An audible alarm is also sounding.</p>	<p>The door alarm has been activated.</p> <ul style="list-style-type: none"> ■ Close the door. The three sensors for the wine conditioning zones and the alarm symbol  will go out and the audible alarm stops.
<p>The alarm symbol  is flashing in the display, and the sensor for one of the wine conditioning zones is also flashing. An audible alarm is also sounding.</p>	<p>The temperature in the zone concerned has risen higher or fallen lower than the temperature set. This could be due to:</p> <ul style="list-style-type: none"> – the appliance door being opened too often, – blocked ventilation gaps, – a lengthy interruption to the power supply. <ul style="list-style-type: none"> ■ Rectify the cause of the alarm. The alarm symbol  will go out and the sensor for the zone concerned will light up constantly again. The audible alarm stops.
<p>The Change Active AirClean filter symbol  is lit up.</p>	<p>This is the reminder to change the Active AirClean filters.</p> <ul style="list-style-type: none"> ■ Replace the Active AirClean filters in all three wine conditioning zones and then confirm the filter change in settings mode (see "Active AirClean Filters").
<p>A dash is lit up up/flash in the display.</p>	<p>Only temperatures within the range the wine conditioning unit can display will be shown.</p>
<p>"F1" to "F3" or "S1" to "S3" appear in the display.</p>	<p>There is a fault.</p> <ul style="list-style-type: none"> ■ Call the Service Department.

Problem solving guide

The interior lighting is not working.

Problem	Cause and remedy
The LED interior lighting is not working.	<p>The appliance has not been switched on.</p> <ul style="list-style-type: none">■ Touch the On/Off sensor. <p>To avoid overheating, the LED lighting switches itself off automatically after approx. 15 minutes if the door is left open.</p> <p>If this is not the case, then there is a fault.</p> <div data-bbox="404 459 1038 683" style="border: 1px solid black; padding: 5px;"><p>Caution. Laser beam class 1M</p><p>Do not remove the lighting covers.</p><p>Should the covers be damaged or need to be removed due to damage, do not use optical instruments (magnifying glass or similar) to look at the lighting.</p></div> <ul style="list-style-type: none">■ Call the Miele Service Department.
The LED interior lighting is on even when the door is closed.	<p>The feature lighting is switched on.</p> <ul style="list-style-type: none">■ Switch the feature lighting off (see "Feature lighting").

General problems with the wine conditioning unit

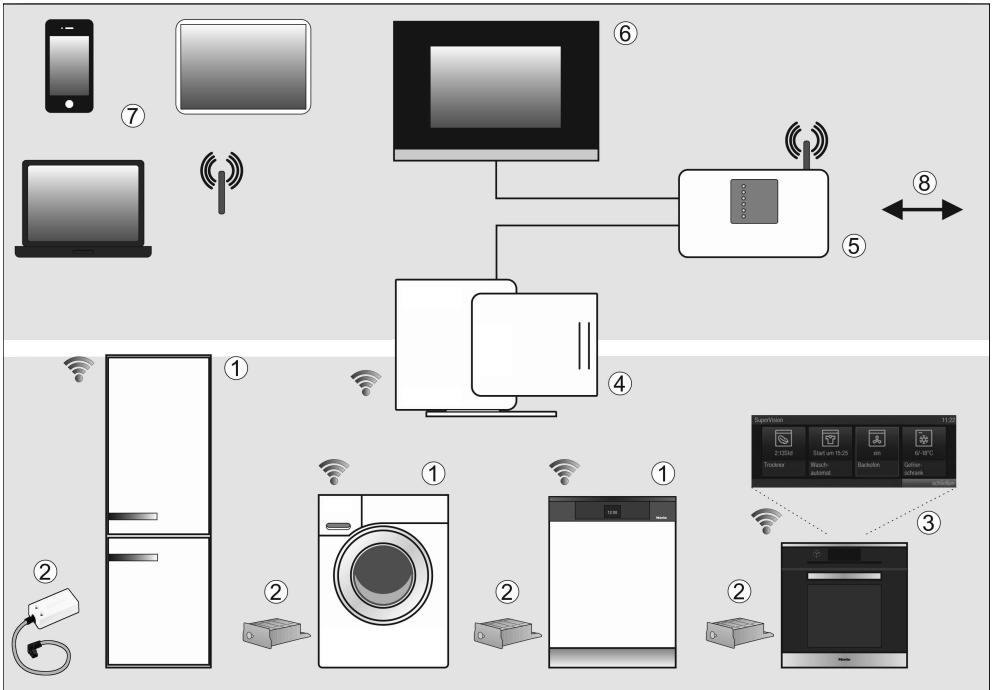
Problem	Cause and remedy
There is no audible alarm although the door has been open for a long time.	This is not a fault. The alarm tone has been switched off in settings mode (see "Selecting further settings - Audible tones").
You cannot switch the wine conditioning unit off.	The safety lock is activated. The  symbol is lit up in the display. ■ Deactivate the lock (see "Selecting further settings - Activating or deactivating the lock").
The slats on the wooden shelves are warping.	Volume change due to moisture absorption or drying out is a typical characteristic of wood. An increase in humidity will cause wooden components to warp, which can lead to cracking. Knots and grain patina are part of the natural character of wood.
Mildew has begun to form on the wine bottle labels.	Mildew can begin to form on the labels, depending on the type of label adhesive used. ■ Clean the wine bottles and remove any adhesive residue.
A white deposit has formed on the wine bottle corks.	The corks have oxidised due to contact with the air. ■ Use a dry cloth to wipe off the deposit. The deposit will not affect the quality of the wine.

Noises

Normal noises	What causes them
Brrrrr ...	A humming noise is made by the motor (compressor). This noise can get louder for brief periods when the motor switches on.
Blubb, blubb ...	A gurgling noise can be heard when coolant is circulating through the pipes.
Click ...	Clicking sounds are made when the thermostat switches the motor on and off.
Sssrrrrr ...	On multi-zone wine conditioning units you can sometimes just hear the sound of the fan inside the appliance.
Crack ...	A cracking sound can be heard when material inside the wine conditioning unit expand.

Remember that the noise of the compressor and the coolant circulating in the system is unavoidable.

Noises that you can easily rectify	Possible cause	Remedy
Rattling, vibrating	The wine conditioning unit is uneven.	Realign the wine conditioning unit using a spirit level, by raising or lowering the screw feet underneath the appliance.
	The wine conditioning unit is touching another appliance or piece of furniture.	Move it away.
	Shelves are unstable or sticking.	Check all removable items and refit them correctly.
	Bottles or containers are touching each other.	Separate them.
	The transport cable clips are hanging loose at the back of the appliance.	Remove the cable clips.



- ① Miele@home communication enabled appliance
- ② Miele@home communication stick XKS3000Z or communication module XK-M3000Z
- ③ Miele@home communication enabled Master appliance with SuperVision functionality
- ④ Miele@home Gateway XGW3000
- ⑤ WiFi router
- ⑥ Connection to a Home automation system
- ⑦ Smartphone, Tablet PC, Laptop
- ⑧ Internet connection

Miele@home

Please note that the Miele@home and SuperVision system is currently only available in selected countries.

This appliance ①/③ is network enabled and can be connected to the Miele@home system via a communication module or communication stick ② and a conversion kit where required.

The Miele@home system enables network enabled appliances to send information via the household wiring network to a master appliance ③ such as an oven with SuperVision functionality, about their operational status, as well as information about the progress of the programme.

Displaying information and controlling appliances

- SuperVision master appliance ③
The status of other signed on appliances can be shown in the display of some network enabled appliances.
- Mobile device ⑦
A PC, Notebook, Tablet PC or a Smartphone can be used within the reception area of a household WLAN ⑤ to display status information about signed on appliances and carry out certain functions.
- Household network ⑥
The Miele@home system enables smart living. The Miele@home Gateway ④ allows other network enabled appliances to integrate into the household bus system.

- In Germany, network enabled appliances can be integrated into the QIVICON Smart Home Platform instead of the Miele@home Gateway (www.qivicon.de).

SmartStart (depending on household appliance)

Smart grid enabled appliances can be started automatically at a time when electricity costs are favourable or when a favourable supply of electricity is available (e.g. from a solar power system).

Optional accessories (depending on household appliance)

- Communication module XKM3000Z or communication stick XKS3000Z
- Conversion kit for communication system XKV
- Miele@home Gateway XGW3000

These accessories are supplied with their own installation and operating instructions.

Further information

Further information regarding Miele@home is available on the internet and in the instruction manuals of the various Miele@home components.

After sales service

In the event of any faults which you cannot easily remedy, please contact

- your Miele Dealer, or
- the Miele Service Department.

See end of this booklet for contact details.

When contacting your Dealer or Miele, please quote the model and serial number of your appliance.

This information is given on the data plate inside the wine conditioning unit.

Please note that telephone calls may be monitored and recorded for training purposes.

Guarantee: U.K.

In the U.K. the appliance is guaranteed for 2 years from the date of purchase. However, you must activate your cover by calling 0330 160 6640 or registering online at www.miele.co.uk.

Guarantee: Other countries

For information on the appliance guarantee specific to your country please contact Miele.

See end of this booklet for contact details.

Information for test institutes

All tests must be carried out according to **relevant standards and directives**.

In addition, the following information provided by the manufacturer must be observed:

- **Loading instructions,**
- Information contained in the **Operating and installation instructions**.


Demo mode

The wine conditioning unit can be demonstrated in the showroom or at exhibitions in "Demo mode". In this mode the control panel and interior lighting are active but the compressor remains switched off, so that the appliance does not cool down.

Switching on demo mode



- Switch the wine conditioning unit off by touching the On/Off sensor.

The sensors for the three wine conditioning zones will then go out. The temperature display will go out and the mains connection symbol  will appear.





- Place your finger on the V sensor, and leave it there.



- At the same time, briefly touch the On/Off sensor (without letting go of the V sensor).



- Leave your finger on the V sensor until the  symbol appears in the display.
- Then release the V sensor.


Demo mode is activated and the  symbol appears in the display.

Switching off Demo mode


The  symbol is lit up in the display.



- Touch the settings sensor.


All symbols available for selection will appear in the display and the  symbol flashes.



- Touch the sensors for setting the temperature (V or ^) repeatedly until the  symbol flashes.




- Touch the OK sensor to confirm your selection.

! flashes in the display (means: Demo mode is switched on) and the  symbol lights up.


Information for dealers



- Touch the ∇ or ▲ sensor until  appears (means: Demo mode is switched off).




- Touch the OK sensor to confirm your selection.

The selected setting is applied, the  symbol flashes.



- Touch the settings sensor to leave settings mode.
Otherwise the appliance exits settings mode automatically after approximately one minute.

Demo mode is switched off, the  symbol goes out.

The appliance is supplied with a mains cable with moulded plug for connection to a 50 Hz 220–240 V supply.

The fuse rating must be at least 10 A (13 A in the UK).

All electrical work should be carried out by a suitably qualified and competent person in strict accordance with current local and national safety regulations (BS 7671 in the UK). Please ensure that the connection data quoted on the data plate match the household mains supply.

Connection should be made via a suitable switched socket which is easily accessible. It must not be located behind the appliance.

If the mains socket is not accessible after the appliance has been installed, a separator for each terminal must be present. There must be an all-pole contact gap of at least 3 mm in the switch (including switch, fuses and relays according to EN 60335).

The plug and mains connection cable must not come into contact with the back of the appliance as vibrations can cause damage to these components. This, in turn, could result in a short circuit.

Do not plug in other appliances behind this wine conditioning unit.

Do not connect the appliance to the mains electricity supply by an extension lead. Extension leads do not guarantee the required safety of the appliance (e.g. danger of overheating).

Do not connect the appliance to an inverter such as those used with an autonomous energy source e.g. **solar power**. When switched on, peak loads in the system can cause the safety switch-off mechanism to be triggered. This can damage the electronic unit. The appliance must not be used with so-called **energy-saving devices** either. These reduce the amount of energy supplied to the appliance, causing it to overheat.

If the mains cable needs to be replaced this must be done by a suitably qualified person.

Installation

Location

This appliance should not be installed where it is exposed to direct sunlight or directly adjacent to a heat-producing appliance such as an oven or a radiator. The higher the ambient temperature of the room, the longer the compressor will run for and the higher the energy consumption. The appliance should be installed in a dry, well ventilated room.

When installing the wine conditioning unit, please be aware:

- The socket must be easily accessible in an emergency, not concealed behind the appliance.
- The plug and cable must not touch the rear of the wine conditioning unit as they could be damaged by vibrations from the wine conditioning unit.
- Do not plug in other appliances behind this wine conditioning unit.

Climate range

The wine conditioning unit is designed for use within a certain climate range (ambient temperatures) and should not be used outside this range. The climate range of the wine conditioning unit is stated on the data plate inside it.

Climate range	Ambient room temperature
SN	+10 °C to +32 °C
N	+16 °C to +32 °C
ST	+16 °C to +38 °C
T	+16 °C to +43 °C

Operating in a room which is too cold will cause the compressor to switch off for too long, causing the internal temperature in the wine conditioning unit to rise which could lead to damage.

IMPORTANT

In environments with high humidity condensation may appear on the external surfaces of the wine conditioning unit.

This can lead to corrosion of the appliance walls.

For prevention, it is advisable to install the wine conditioning unit with sufficient ventilation in a dry and/or air conditioned room.

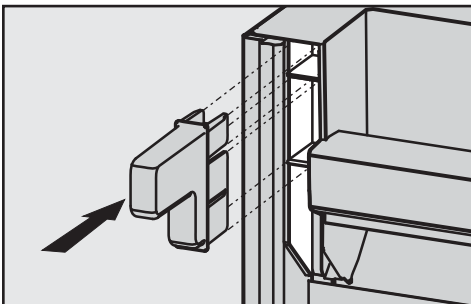
Make sure that the appliance door closes properly, the specified ventilation gaps are adhered to and the wine conditioning unit is installed in accordance with these installation instructions.

Ventilation

The wine conditioning unit can be placed directly against a wall. Please note that to ensure sufficient ventilation, the ventilation gaps must not be covered or blocked in any way. They should be dusted on a regular basis.

Fitting wall spacers supplied

The wall spacers supplied must be used in order to achieve declared energy consumption values and to prevent the build-up of condensation at high ambient temperatures. Appliance depth is increased by approx. 35 mm with the wall spacers fitted. If the wall spacers are not used the functionality of the appliance is not affected. Energy consumption is only slightly increased with less distance between the appliance and the wall.



- Fit the wall spacers onto the back of the appliance on the top left and right.

Installation

- Remove the cable clip from the back of the appliance.
- Check that all parts at the back of the appliance are unhindered. Carefully remove any hindrance.
- Carefully push the wine conditioning unit into position.

Niche floor

To ensure the safe installation of the wine conditioning unit and to guarantee its correct functioning, the floor of the niche where the appliance is to be installed must be smooth and even.

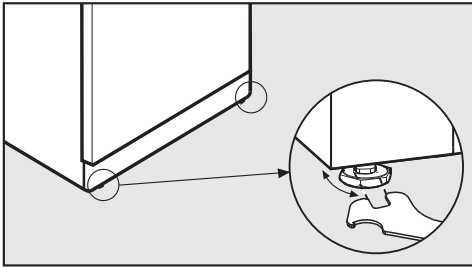
It must be made of strong, rigid material. The wine conditioning unit is extremely heavy when loaded and for this reason it is imperative that the floor is able to bear its weight. If necessary, the advice of an architect or structural engineer should be sought.

The weight of the appliance when empty is approx. 145 kg.

When fully loaded, the weight of the appliance is approx. 375 kg.

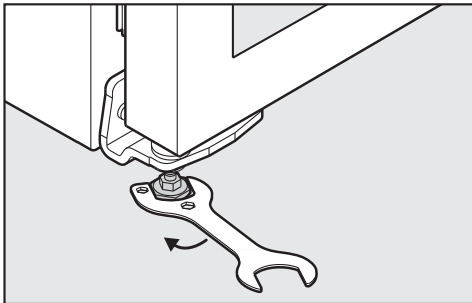
Installation

Aligning the wine conditioning unit



- To align the wine conditioning unit, adjust the front feet using the spanner supplied.

Levelling the appliance door



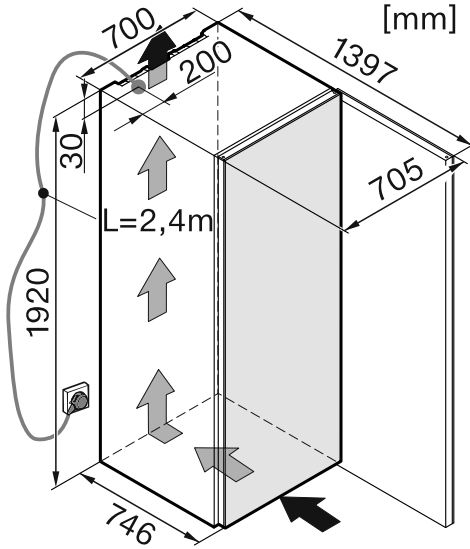
- **Make sure** that you unscrew the adjustable foot under the lower hinge bracket until it sits on the floor. Then unscrew the foot by a further 90°.

Door opening angle limiter

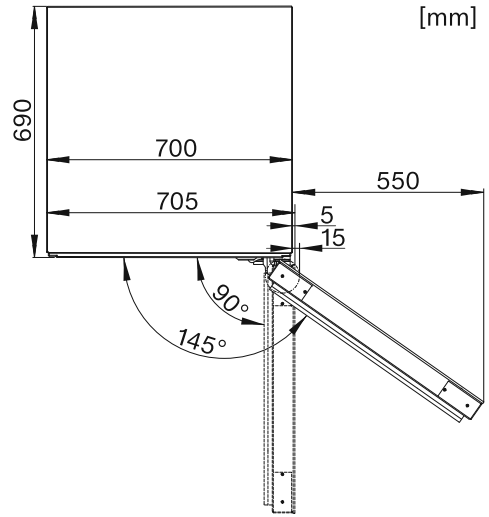
The door opening angle limiter restricts the opening angle to 90° or 110°. This may be necessary if the appliance door hits an adjacent wall when opened, for example.

The door opening angle limiter is available from your Dealer or Miele.

Appliance dimensions



Dimensions when the door is opened

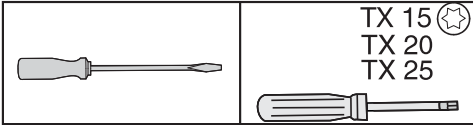


* Dimensions without wall spacers. Appliance depth is increased by 35 mm with the wall spacers supplied fitted.

Changing the door hinging

The wine conditioning unit is supplied right-hand hinged. If left-hand hinging is required, the hinges must be changed.

To change the door hinging, you will need the following tools:



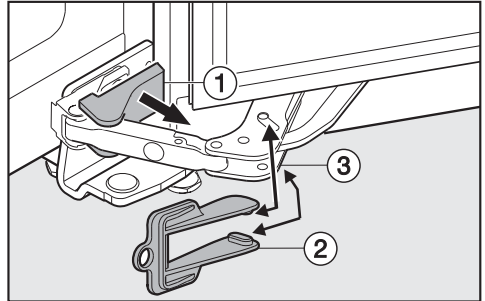
The glass door is very heavy (approx. 30 kg) and could break.

Two people are needed for changing the door hinging.

- Place a suitable cover on the floor in front of the appliance to protect the appliance door and your floor from damage.

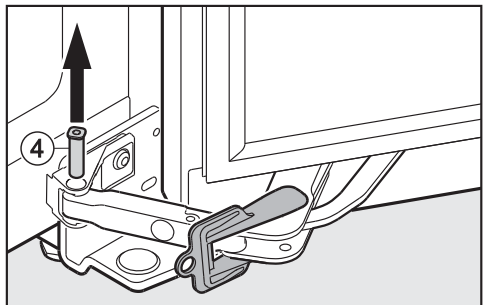
Be careful not to damage the door seal. If the door seal is damaged, the appliance door may not close properly and cooling will be insufficient.

- Open the appliance door as far as it will go.



- Use a flat-blade screwdriver to carefully remove cover ① at the bottom of the appliance.
- Place red safety device ② (supplied with the appliance) onto soft-close mechanism ③ and click it into position.

The safety device prevents the hinge from snapping shut. Do not remove the safety device until instructed to do so.

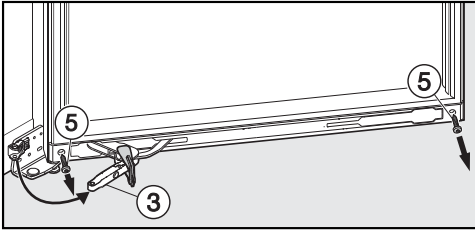


- Push pin ④ up and out from underneath.

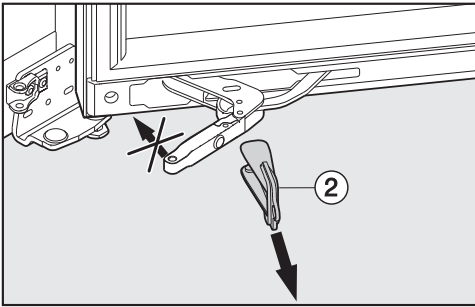
The soft-close mechanism is no longer fixed to the appliance.

Changing the door hinging

Changing over the soft-close mechanism



- Push out soft-close mechanism ③.
- Remove screws ⑤ from the soft-close mechanism on the right and left at the bottom of the appliance door.

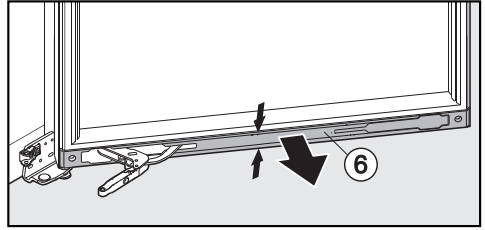


Caution.

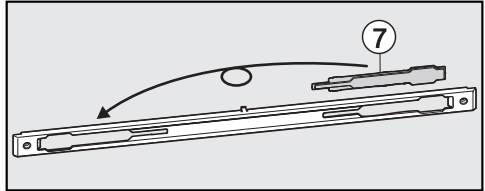
Danger of injury.

Do not move the front part of the soft-close mechanism in the direction shown once safety device ② has been removed.

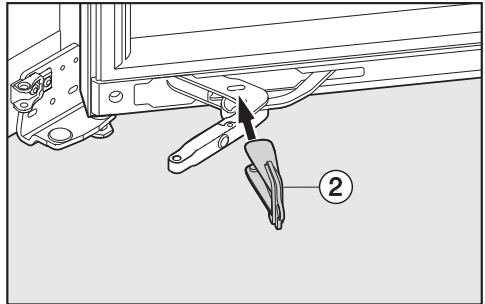
- Remove red safety device ② from the soft-close mechanism.



- Pinch cover ⑥ in the middle and remove.

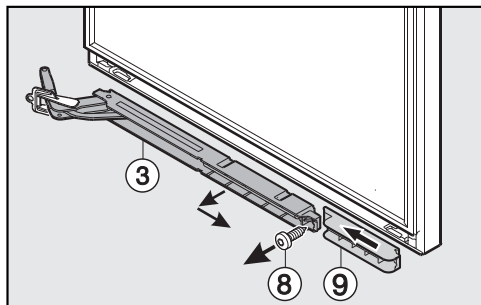


- Refit panel ⑦ into the cover on the opposite side.

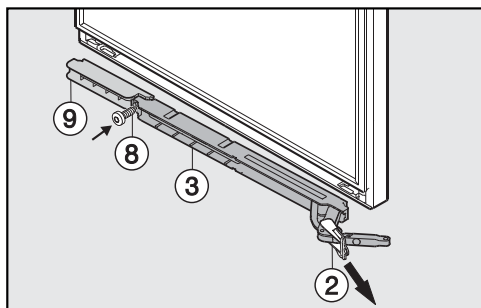


- Put red safety device ② back onto the soft-close mechanism.

Changing the door hinging

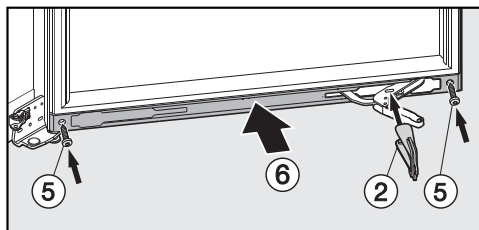


- Remove screw ⑧.
- Pull out soft-close mechanism ③ and remove.
- Push spacer ⑨ to the side of the appliance and remove.



- Rotate spacer ⑨ through 180° and refit it on the opposite side. Push the spacer along as far as it will go.
- Rotate soft-close mechanism ③ through 180°. Attach the soft-close mechanism onto the outside first.
- Secure spacer ⑨ to soft-close mechanism ③ with screw ⑧.

- Remove red safety device ② from the soft-close mechanism.



- Refit cover ⑥ onto the soft-close mechanism.
- Put red safety device ② back onto the soft-close mechanism.
- Secure cover ⑥ with screws ⑤.

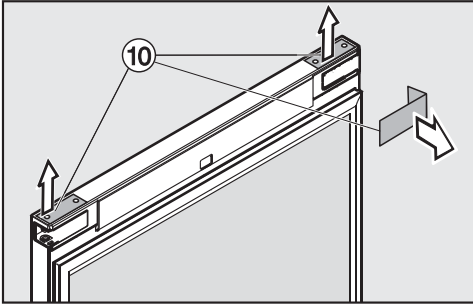
Caution.

Danger of injury.

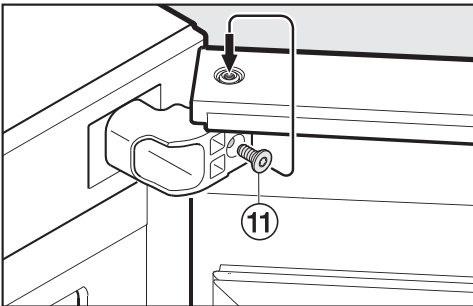
Do not move the front part of the soft-close mechanism in the direction shown once safety device ② has been removed.

Changing the door hinging

Removing the door

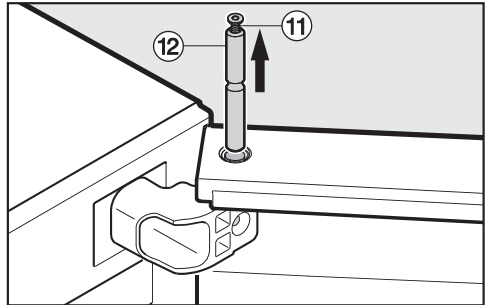


- Use a small flat-blade screwdriver to remove covers ⑩ from the top of the appliance door.
- Open the appliance door as far as it will go.



- Remove screw ⑪ from the hinge bracket and screw it loosely with 3 or 4 turns into the top of the hinge pin.

Caution. In the next step the door will be removed from the appliance. The door is heavy and needs to be handled by two people.



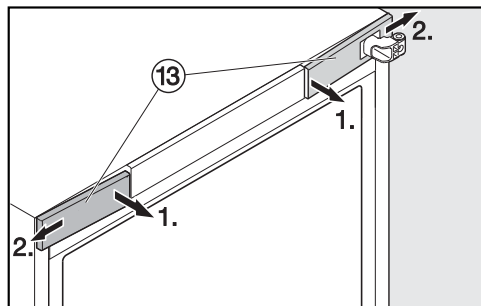
- Pull hinge pin ⑫ upwards and out.

Tip: Leave screw ⑪ in the hinge pin until the hinge pin is inserted on the opposite side.

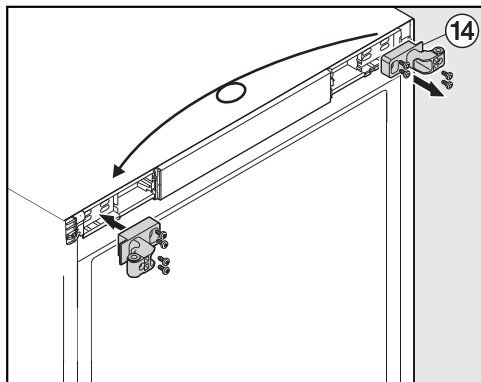
- Carefully lift the door upwards and off and place it carefully to one side.

Changing the door hinging

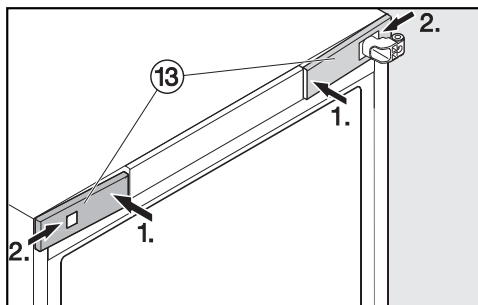
Changing over the hinge bracket



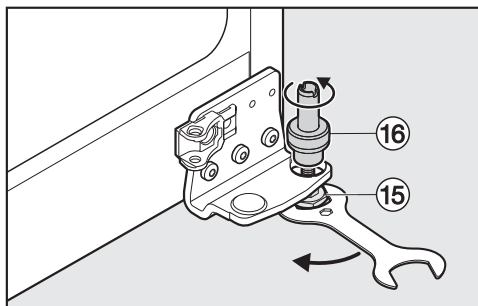
- Remove both covers ⑬ at the top of the appliance front.



- Unscrew hinge bracket ⑭ from the top of the appliance, rotate it through 180°, and secure it on the other side.

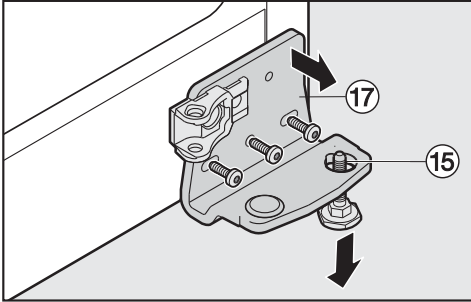


- Click covers ⑬ into place on both sides from the front. When doing this, guide the cover with the cut-out over the hinge bracket.

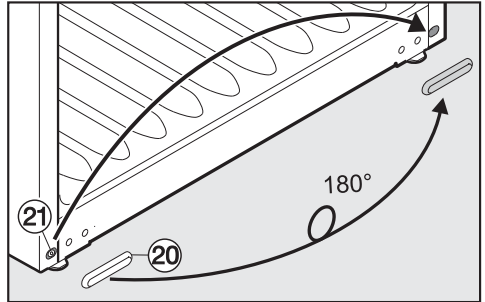


- Use the spanner supplied to loosen adjustable foot ⑮ underneath the appliance.
- Pull bolt ⑯ upwards and unscrew it from adjustable foot ⑮. Hold the adjustable foot tightly when doing this.

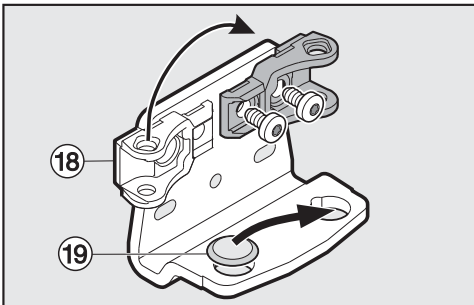
Changing the door hinging



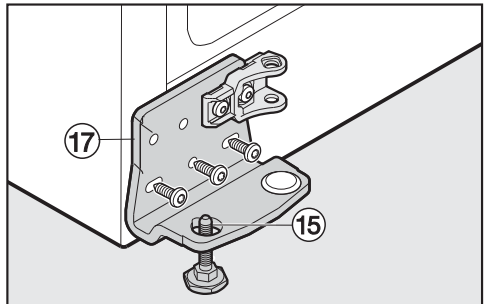
- Unscrew hinge bracket ⑰ from underneath the appliance.
- Then pull adjustable foot ⑮ downwards and out.



- Remove cover ⑳ from the bottom of the appliance.
- Remove screw ㉑ on the bottom of the appliance and replace it on the opposite side.
- Refit cover ⑳ on the opposite side.

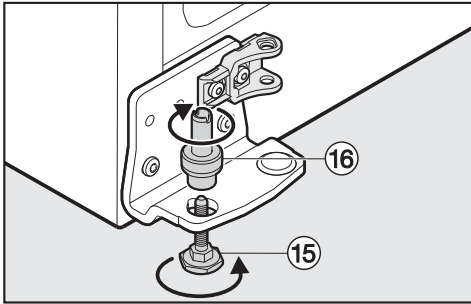


- Fit holder ⑱ for the soft-close mechanism on the hinge bracket on the opposite side.
- Also fit round cover ⑲ on the opposite side.



- Push adjustable foot ⑮ upwards into hinge bracket ⑰.
- Secure hinge bracket ⑰ with the middle screw first then with the two other screws.

Changing the door hinging

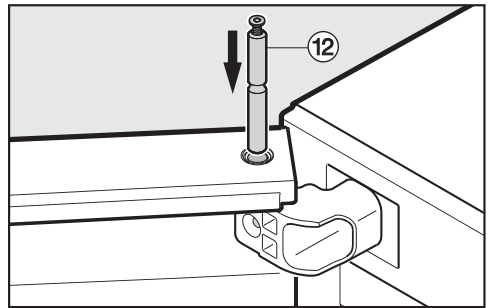


- Screw bolt ⑯ from above onto adjustable foot ⑮, paying attention to the groove.
- Tighten adjustable foot ⑮.

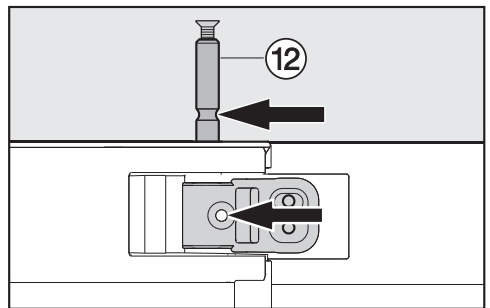
Refitting the door

- Position the appliance door onto lower bolt ⑯ and guide the top towards the hinge bracket.

Caution. The appliance door is heavy and needs to be handled by two people.

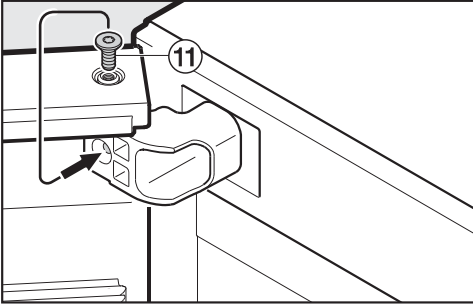


- Fit hinge pin ⑫ into the hinge bracket from above.

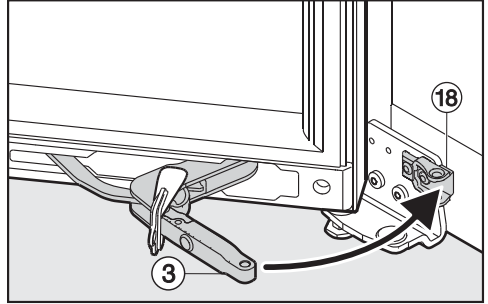


- Push hinge pin ⑫ in until the groove of the pin is in line with the drill hole in the hinge bracket.

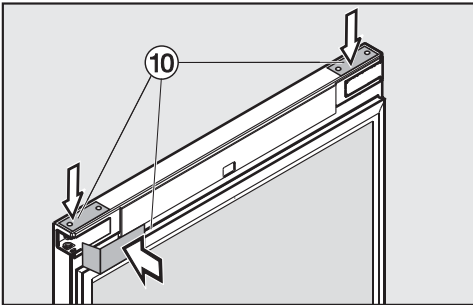
Changing the door hinging



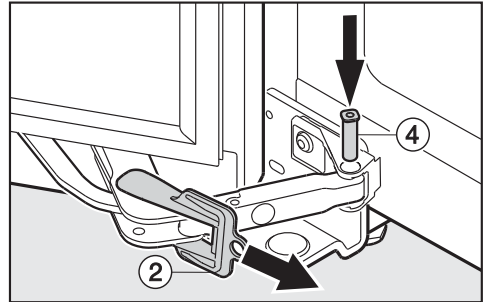
- Remove screw ⑪ from the hinge pin and screw it into the drill hole in the hinge bracket.



- Pull the hinge joint of soft-close mechanism ③ outwards to holder ⑱.

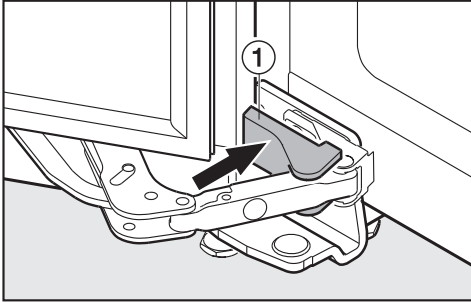


- Refit covers ⑩ onto the appliance door.

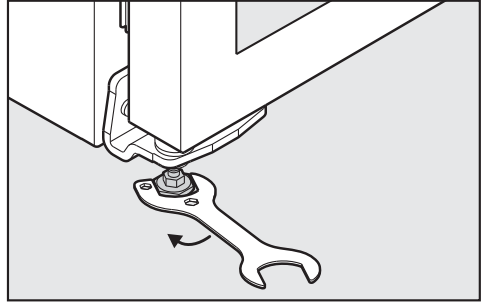


- Fit hinge pin ④ into the soft-close mechanism from above
- Remove red safety device ②.

Changing the door hinging



- Snap on cover ①.
- Position the appliance in its final location.

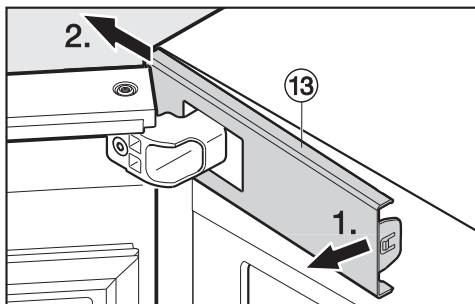


- **Make sure** that you unscrew the adjustable foot under the lower hinge bracket until it sits on the floor. Then unscrew the foot by a further 90°.

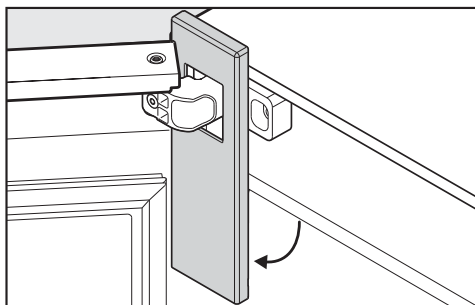
Changing the door hinging

Aligning the side of the appliance door

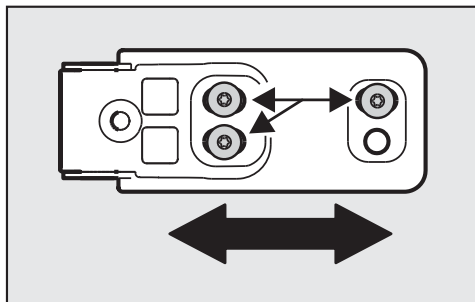
If the appliance door is not in line with the side walls of the appliance, the appliance door can be aligned by adjusting the upper hinge bracket.



- Remove cover ⑬ from the inside of the hinge bracket and push it out.



- Swing the cover downwards.



- Loosen the three screws on the hinge bracket and adjust the hinge bracket to the left or right.
- Tighten the screws again.
- Refit the cover.
- Close the appliance door and check that it is aligned with the side walls.

United Kingdom

Miele Co. Ltd.
Fairacres, Marcham Road
Abingdon, Oxon, OX14 1TW
Customer Contact Centre Tel: 0330 160 6600
E-mail: mielecare@miele.co.uk
Internet: www.miele.co.uk

Australia

Miele Australia Pty. Ltd.
ACN 005 635 398
ABN 96 005 635 398
1 Gilbert Park Drive, Knoxfield, VIC 3180
Tel: 1300 464 353
Internet: www.miele.com.au

China

Miele (Shanghai) Trading Ltd.
1-3 Floor, No. 82 Shi Men Yi Road
Jing' an District
200040 Shanghai, PRC
Tel: +86 21 6157 3500, Fax: +86 21 6157 3511
E-mail: info@miele.cn, Internet: www.miele.cn

Miele (Hong Kong) Limited

41/F - 4101, Manhattan Place
23 Wang Tai Road
Kowloon Bay, Hong Kong
Tel: (852) 2610 1331, Fax: (852)2610 1013
Email: mielehk@miele.com.hk

India

Miele India Pvt. Ltd.
Ground Floor, Copia Corporate Suites
Plot No. 9, Jasola
New Delhi - 110025
Tel: 011-46 900 000, Fax: 011-46 900 001
E-mail: customercare@miele.in, Internet: www.miele.in

Ireland

Miele Ireland Ltd.
2024 Bianconi Avenue
Citywest Business Campus, Dublin 24
Tel: (01) 461 07 10, Fax: (01) 461 07 97
E-Mail: info@miele.ie, Internet: www.miele.ie

Manufacturer: Miele & Cie. KG

Carl-Miele-Straße 29, 33332 Gütersloh, Germany

Miele

Malaysia

Miele Sdn Bhd
Suite 12-2, Level 12
Menara Sapura Kencana Petroleum
Solaris Dutamas No. 1, Jalan Dutamas 1
50480 Kuala Lumpur, Malaysia
Phone: +603-6209-0288
Fax: +603-6205-3768

New Zealand

Miele New Zealand Limited
IRD 98 463 631
Level 2, 10 College Hill
Freemans Bay, Auckland 1011, NZ
Tel: 0800 464 353
Internet: www.miele.co.nz

Singapore

Miele Pte. Ltd.
163 Penang Road
04 - 03 Winsland House II
Singapore 238463
Tel: +65 6735 1191, Fax: +65 6735 1161
E-Mail: info@miele.com.sg
Internet: www.miele.sg

South Africa

Miele (Pty) Ltd
63 Peter Place, Bryanston 2194
P.O. Box 69434, Bryanston 2021
Tel: (011) 875 9000, Fax: (011) 875 9035
E-mail: info@miele.co.za
Internet: www.miele.co.za

United Arab Emirates

Miele Appliances Ltd.
P.O. Box 11 47 82
Gold & Diamond Park, Sheikh Zayed Road
Building 6 / Offices Nos. 6-214 to 6-220
Dubai
Tel: +971-4-341 84 44
Fax: +971-4-341 88 52
E-Mail: info@miele.ae
Internet: www.miele.ae

KWT 6833 SG



en-GB

M.-Nr. 10 439 390 / 02