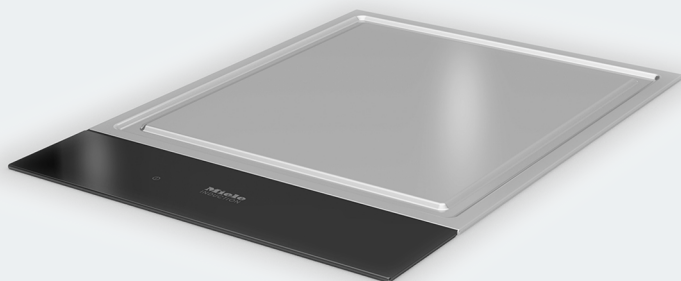


Operating and installation instructions

SmartLine Tepan Yaki



To avoid the risk of accidents or damage to the appliance it is **essential** to read these instructions before it is installed and used for the first time.

Contents

Warning and Safety instructions	4
Caring for the environment	13
Guide to the appliance	14
Tepan Yaki	14
Controls / Indicators	15
Before using for the first time	16
Cleaning the SmartLine element for the first time	16
Switching on the SmartLine element for the first time	16
The induction principle	17
Setting ranges	18
Operation	19
Using the appliance	19
Setting the power level	20
Switching off	20
Residual heat indicator	20
Setting the power level – extended setting range	21
Switching the heating elements on together	21
Tips	22
Keeping warm	22
Timer	23
Minute minder	23
Switching off the heating element/cooking zone automatically	24
Additional functions	25
Stop & Go	25
Recall	25
Wipe protection	26
Demonstration mode	26
Displaying the SmartLine element data	26
Safety features	27
System lock / Safety lock	27
Safety switch-off	29
Overheating protection	30
Programming	31
Cleaning and care	34
Control panel	35

Frying surface	35
Problem solving guide	36
Optional accessories	39
Safety instructions for installation	40
Safety distances	41
Installation notes	44
Onset installation	44
Installing several SmartLine elements	46
Combination with a downdraft extractor	46
Building-in dimensions	47
Onset installation	47
Flush-fit installation	48
Worktop cut-out for onset installation	49
Worktop cut-out for flush-fit installation	52
Spacer bars	55
Installation	56
Preparing the worktop	56
Fitting the spacer bars	56
Installing the SmartLine element	57
Electrical connection	59
After sales service	61
Contact in case of malfunction	61
Data plate	61
Warranty	61

Warning and Safety instructions

This appliance complies with all relevant safety requirements. Inappropriate use can, however, lead to personal injury and damage to property.

To avoid the risk of accidents or damage to the appliance, please read these instructions carefully before installation and before using it for the first time. They contain important notes on installation, safety, use and maintenance.

Miele cannot be held liable for damage caused by non-compliance with these Warning and Safety instructions.

Keep these instructions in a safe place and ensure that new users are familiar with the content. Pass them on to any future owner.

Correct application

- ▶ This Tepan Yaki is intended for domestic use and use in other similar environments.
- ▶ The appliance is not intended for outdoor use.
- ▶ It is intended for domestic use only to cook food and keep it warm. Any other use is not supported by the manufacturer and could be dangerous.
- ▶ People with reduced physical, sensory or mental capabilities, or lack of experience and knowledge who are not able to use the appliance safely on their own must be supervised whilst using it. They may only use it unsupervised if they have been shown how to use it safely and recognise and understand the consequences of incorrect operation.

Warning and Safety instructions

Safety with children

- ▶ Children under 8 years of age must be kept away from the appliance unless they are constantly supervised.
- ▶ Children 8 years and older may only use the appliance unsupervised if they have been shown how to use it in a safe way and can recognise and understand the consequences of incorrect operation.
- ▶ Children must not be allowed to clean the appliance unsupervised.
- ▶ Please supervise children in the vicinity of the appliance, and do not let them play with it.
- ▶ The appliance gets hot when in use and remains hot for a while after being switched off. Keep children well away from the appliance until it has cooled down and there is no danger of burning.
- ▶ Danger of burning.
Do not store anything which might arouse a child's interest in storage areas above or next to the appliance. Otherwise they could be tempted into climbing onto the appliance.
- ▶ Danger of suffocation. Packaging, e.g. plastic wrappings, must be kept out of the reach of babies and children. Whilst playing, children could become entangled in packaging or pull it over their head and suffocate.
- ▶ Activate the system lock to ensure that children cannot switch the Tepan plate on by mistake. Use the safety lock when the Tepan plate is in use to prevent children from altering the settings selected.

Technical safety

- ▶ Unauthorised installation, maintenance and repairs can cause considerable danger for the user. Installation, maintenance and repairs must only be carried out by a Miele authorised technician.
- ▶ Do not use a damaged appliance. It could be dangerous. Check the appliance for visible signs of damage.
- ▶ Reliable and safe operation of this appliance can only be assured if it has been connected to the mains electricity supply.
- ▶ The electrical safety of this appliance can only be guaranteed when correctly earthed. It is essential that this standard safety requirement is met. If in any doubt please have the electrical installation tested by a qualified electrician.
- ▶ Before connecting the appliance to the mains supply, ensure that the connection data on the data plate (voltage and frequency) match the mains electricity supply.
This data must correspond in order to avoid the risk of damage to the appliance. Consult a qualified electrician if in any doubt.
- ▶ Do not connect the appliance to the mains electrical supply by a multi-socket adapter or extension lead. These are a fire hazard and do not guarantee the required safety of the appliance.
- ▶ For safety reasons, this appliance may only be used when it has been built in.
- ▶ The appliance must not be used in a non-stationary location (e.g. on a ship).
- ▶ Never open the casing of the appliance.
Touching or tampering with electrical connections or components and mechanical parts is highly dangerous to the user and can cause operational faults.

Warning and Safety instructions

- ▶ While the appliance is under warranty repairs should only be undertaken by a Miele authorised service technician. Otherwise the warranty is invalidated.
- ▶ Miele can only guarantee the safety of the appliance when genuine original Miele replacement parts are used. Faulty components must only be replaced by Miele spare parts.
- ▶ The appliance is not intended for use with an external timer switch or a remote control system.
- ▶ If the plug is removed from the connection cable or if the cable is supplied without a plug, the appliance must be connected to the electrical supply by a suitably qualified electrician.
- ▶ If the mains connection cable is damaged, it must be replaced with a special connection cable by an electrician (see “Electrical connection”).
- ▶ During installation, maintenance and repair work, the appliance must be disconnected from the mains electricity supply.
- ▶ Danger of electric shock.
Do not use the appliance if it is faulty. Switch it off immediately, disconnect it from the mains electricity supply and contact Miele.
- ▶ If the appliance is installed behind a furniture panel (e.g. a door), ensure that the door is never closed whilst the appliance is in use. Heat and moisture can build up behind a closed furniture panel and cause subsequent damage to the appliance, the housing unit and the floor. Do not close the door until the residual heat indicators have gone out.

Correct use

- ▶ The appliance gets hot when in use and remains hot for a while after being switched off. There is a danger of burning until the residual heat indicators go out.
- ▶ Due to the high temperatures radiated, objects left near the appliance when it is in use could catch fire.
Do not use the appliance to heat up the room.
- ▶ Oil and fat can overheat and catch fire. Do not leave the appliance unattended when cooking with oil and fat. If it does ignite do not attempt to put the flames out with water.
Disconnect the appliance from the mains and use a suitable fire blanket, saucepan lid, damp towel or similar to smother the flames.
- ▶ Flames could set the grease filters of a cooker hood on fire. Do not flambé under a cooker hood.
- ▶ Spray canisters, aerosols and other inflammable substances can ignite when heated. Therefore do not store such items or substances in a drawer under the appliance. Cutlery inserts must be heat-resistant.
- ▶ Do not heat up food in closed containers e.g. tins or sealed jars on the appliance, as pressure can build up in the container, causing it to explode.
- ▶ Do not cover the appliance, e.g. with cover, a cloth or protective foil. The material could catch fire, shatter or melt if the appliance is switched on by mistake or if residual heat is still present.
- ▶ When the appliance is switched on either deliberately or by mistake, or when there is residual heat present, there is the risk of any metal items left on the appliance heating up, with the danger of burning. Depending on the material, other items left on the appliance could also melt or catch fire. Do not use the appliance as a resting place. Switch the appliance off after use.

Warning and Safety instructions

- ▶ You could burn yourself on the hot appliance. Protect your hands with heat-resistant pot holders or gloves when working with the hot appliance. Do not let them get wet or damp, as this causes heat to transfer through the material more quickly with the risk of scalding or burning yourself.
- ▶ When using an electrical appliance, e.g. a hand-held food blender, near the appliance, ensure that the cable of the electrical appliance cannot come into contact with the hot appliance. The insulation on the cable could become damaged.
- ▶ Placing hot pans on the sensors and indicators could damage the electronics underneath. Do not place hot pans on the sensors or indicators.
- ▶ Because induction heating works extremely quickly, the temperature could reach the ignition point of oils and fats within a very short time. Do not leave the Tepan plate unattended whilst it is being used.
- ▶ For people fitted with a heart pacemaker: please note that the area immediately surrounding the Tepan plate is electromagnetically charged when it is switched on. It is very unlikely to affect a pacemaker. However, if in any doubt, consult the manufacturer of the pacemaker or your doctor.
- ▶ When switched on, the electromagnetic field of the Tepan plate can impair the function of magnetisable objects. Do not leave credit cards, digital storage devices, pocket calculators, etc, in the immediate vicinity of the Tepan plate.
- ▶ Metal utensils stored in a drawer under the Tepan plate can become hot if the appliance is used intensively for a long time. Do not store any metal items or utensils in a drawer directly under the Tepan plate.

Warning and Safety instructions

- ▶ The Tepan plate is fitted with a cooling fan. If a drawer is fitted directly underneath the appliance, ensure that there is sufficient space between the drawer and its contents and the underside of the appliance in order to ensure sufficient ventilation of the Tepan plate. Do not store pointed or small items or paper in the drawer. They could get in through the ventilation slots or be sucked into the casing by the fan and damage the fan or impair cooling.
- ▶ The appliance becomes very hot. Do not use plastic utensils. Even heat-resistant plastic utensils are unsuitable.

Warning and Safety instructions

Cleaning and care

- ▶ Do not use a steam cleaning appliance to clean this appliance. The steam could reach electrical components and cause a short circuit.
- ▶ If the Tepan plate is built in over a pyrolytic oven, it should not be used whilst the pyrolytic cleaning process is being carried out, as this could trigger the overheating protection mechanism on the Tepan plate (see relevant section).

Disposal of the packing material

The packaging is designed to protect the appliance from damage during transportation. The packaging materials used are selected from materials which are environmentally friendly for disposal and should be recycled.

Recycling the packaging reduces the use of raw materials in the manufacturing process and also reduces the amount of waste in landfill sites.

Disposing of your old appliance

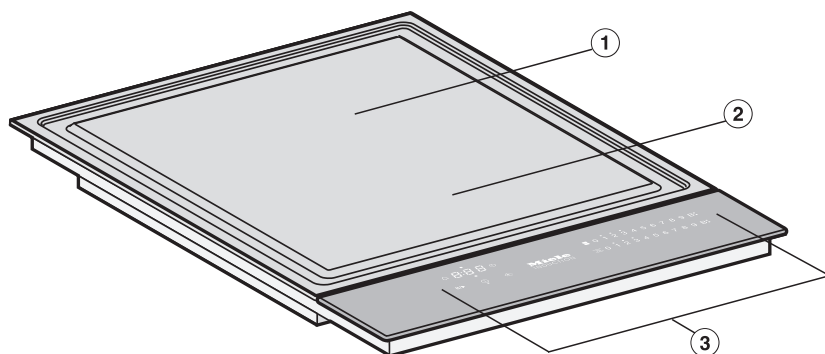
Electrical and electronic appliances often contain valuable materials. They also contain specific materials, compounds and components, which were essential for their correct function and safety. These could be hazardous to human health and to the environment if disposed of with your domestic waste or if handled incorrectly. Please do not, therefore, dispose of your old appliance with your household waste.



Please dispose of it at your local community waste collection / recycling centre for electrical and electronic appliances, or contact your dealer or Miele for advice. You are also responsible (by law, depending on country) for deleting any personal data that may be stored on the appliance being disposed of. Please ensure that your old appliance poses no risk to children while being stored prior to disposal.

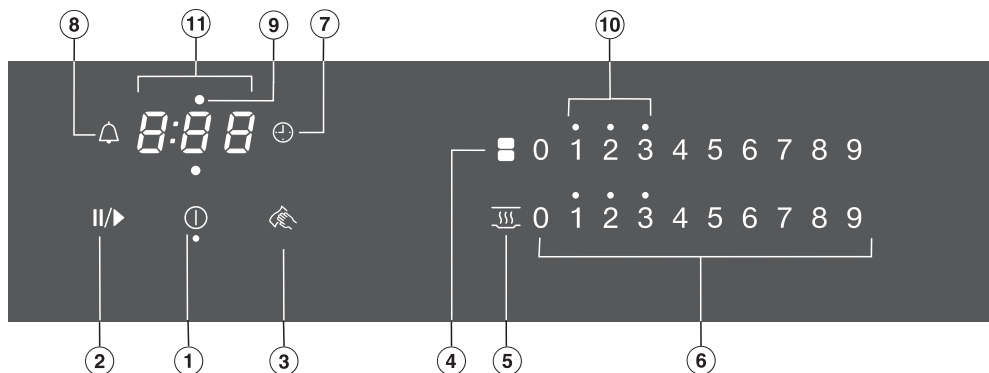
Guide to the appliance

Tepan Yaki



- ① Rear cooking zone
- ② Front cooking zone
- ③ Controls / Indicators

Controls / Indicators



Sensor controls

- ① Switching the SmartLine element on/off
- ② Stop & Go
- ③ Wipe protection
- ④ Switching the heating elements on together/separately
- ⑤ Activating/deactivating the keeping warm function
- ⑥ Numerical keybank
For setting power levels/minute minder and switch-off times
- ⑦ Heating element selection, automatic switch-off
- ⑧ Minute minder

Indicator lights

- ⑨ Heating element allocation, automatic switch-off
- ⑩ Residual heat
- ⑪ Timer display

0:00 to 9:59

Duration

LOC

System lock/safety lock activated

dE

Demonstration mode activated

Before using for the first time

- Please stick the extra data plate for the appliance supplied with this documentation in the space provided in the “After sales service” section of this booklet.
- Remove any protective wrapping and stickers.

Cleaning the SmartLine element for the first time

- Wipe all surfaces with a damp cloth and then dry them.


Switching on the SmartLine element for the first time

The metal components have a protective coating. Smells and possibly some vapours may occur when the SmartLine element is used for the first time. The heating of the induction coils also causes odours in the first few hours of operation. With each subsequent use, the odour is reduced until it disappears completely.

The smell and any vapours given off do not indicate a faulty connection or appliance and they are not hazardous to health.

Please note that the heating-up time for induction hobs is much shorter than on conventional hobs.

The Tepan plate is heated by induction. An induction coil is located under the Tepan plate. When the Tepan plate is switched on, this coil creates a magnetic field which impacts directly on the surface and heats it up.

 When the Tepan plate is switched on either deliberately or by mistake, or when there is residual heat present, there is a risk of any metal items placed on the Tepan plate heating up.

Danger of burning.

Do not use the Tepan plate as a resting place for anything else. Switch the Tepan plate off after use with the appropriate sensor control.

Setting ranges

Cooking process	Setting range
Keeping cooked food warm	1–2
Gently cooking fruit, e.g. apple slices, peach halves, bananas, etc.	3–4
Gently stir-frying vegetables, e.g. leeks, sliced mushrooms, green/red peppers, onion rings, etc.	4–5
Gently frying eggs, fish, meat, sausages, escalopes, vegetables bacon	5–6
Frying meat, fish, hash browns, potato cakes	6–8
Frying steak, pancakes, marinated meat	8–9

These settings should only be taken as a guide. Times will vary according to the type, texture and thickness of the food being cooked.

Using the appliance

This SmartLine element is equipped with electronic sensor controls which react to finger contact. For safety reasons, in order to switch the appliance on, the On/Off ① sensor needs to be touched for a little longer than the other sensors.


Each time you touch a sensor, an audible tone sounds.

Only the printed On/Off ① symbol is visible when the SmartLine element is switched off. The other sensor controls light up when the SmartLine element is switched on.


Malfunction due to dirty and/or covered sensor controls.

If the sensor controls are dirty or covered this could cause them to fail to react, to activate a function or even to switch the appliance off automatically (see “Safety switch-off”). Placing hot pans on the sensor controls/indicators can damage the electronic unit underneath.

Keep the sensor controls and indicators clean and do not place anything on top of them. Do not place hot pans on them.

The Tepan plate has two cooking zones which can be switched on and regulated independently of one another. The entire area can be used when cooking large quantities of food. For smaller quantities, the front element can be used to cook the food whilst the rear element can be used to keep food warm with the keeping warm function .

Operation

 Fire hazard.

Do not leave the Tepan plate unattended whilst it is being used. Please note that the heating-up time for induction hobs is much shorter than on conventional hobs.

Switching on the Tepan plate


- Touch the  sensor control.

Further sensor controls will light up. If no further entry is made, the Tepan plate will switch itself off after a few seconds for safety reasons.

Setting the power level

- Touch the appropriate sensor control on the respective numerical keybank for the power level you want.

Switching off

- To switch off a cooking zone, touch the 0 sensor on the numerical keybank for that zone.
- To switch off the Tepan plate and thus both cooking zones, touch the  sensor control.

Residual heat indicator

If the SmartLine element is still hot, the residual heat indicator will light up after it has been switched off. Depending on the temperature, a dot will appear above power levels 1, 2 and 3.

The dots of the residual heat indicator go out one after the other as the SmartLine element cools down. The last dot only goes out when the SmartLine element is safe to touch.

 Danger of burning.

Do not touch the SmartLine element whilst the residual heat indicators are lit up.

Setting the power level – extended setting range

9 power levels are programmed at the factory. If you wish to fine-tune a setting, you can extend the power level range to 17 power levels (see “Programming”).

- Touch the numerical keybank in between two number sensors.

The numbers to the left and right of the interim level light up brighter than the other sensor controls.

Example:

if you have set power level 7. the numbers 7 and 8 will be brighter than the other numbers.

Switching the heating elements on together

If you want to use the entire surface with a single setting, the heating elements can be switched on and linked together. The settings are controlled by the front numerical keybank.

- Touch the  sensor control.

Operation

Tips

Wipe the surface of the Tepan plate before each use with a damp cloth to remove any dust or other residue.


- Pre-heat the Tepan plate thoroughly for 2–3 minutes. Then set the power level that you wish to cook with.
- It is important to get the Tepan plate sufficiently hot before use, particularly with meat. If it is not hot enough, the meat will lose too much juice.
- You only need to use the minimum amount of oil or fat when cooking on the Tepan plate. With marinated food, no fat or oil is needed. Wait until the temperature indicator light has gone out before adding cooking fat.
- Use only fats and oils that can withstand high temperatures.
- We recommend that you marinate the food to be cooked. This will improve the flavour of the food.
- Pat wet food dry with kitchen paper before cooking to prevent it spitting.
- Salt meat only after cooking to prevent it drying out.

Keeping warm

This function is for keeping food warm which has just been cooked and is still hot. It is not for reheating food that has gone cold.

The maximum duration for keeping food warm is 2 hours.

Activating/deactivating the keeping warm function

- Touch the  sensor for the cooking zone you wish to use.

The SmartLine element has to be switched on if you wish to use the timer. A duration of between 1 minute (0:01) and 9 hours 59 minutes (9:59) can be set.

Times of up to 59 min are shown in minutes (0:59) and times of more than 60 min are shown in hours and minutes. Times are entered in the order of hours, followed by minutes in tens and then units.

Example:


59 min = 0:59, entry: 5-9




80 min = 1:20, entry: 1-2-0

After the first number has been entered the timer display will light up constantly. After the second number has been entered, the first number will move to the left. After the third number has been entered, the first and second numbers will move to the left.

The timer can be used for the following two different functions:

- For setting the minute minder
- For automatically switching off a cooking zone/heating element/Tepan plate zone.

The functions can be used at the same time. The shortest time is always displayed and the  sensor control (minute minder) or the indicator light for automatic switch-off pulsates.

Touch the  or  sensor control if you want to show the remaining times counting down in the background. If more than one switch-off time is programmed, touch the  sensor control repeatedly until the corresponding indicator light pulsates.

Minute minder

The minute minder is set using the numerical keybank for the (front) left cooking zone.


To set the minute minder

- Touch the  sensor.


The timer display will start to flash.

- Select the time you require.

To change the minute minder duration

- Touch the  sensor.
- Select the time you require.

To delete the minute minder duration

- Touch the  sensor until 0:00 appears in the timer display.

Timer

Switching off the heating element/cooking zone automatically

You can set a time after which the heating element/cooking zone will turn off automatically. This function can be used on all heating elements/cooking zones at the same time.

The switch-off time is set on the numerical keybank for the heating element/cooking zone that you want to switch off automatically.

If the time programmed is longer than the maximum operational time allowed, the heating element/cooking zone is switched off by the safety switch-off (see respective section).

- Select a power level for the desired heater element/cooking zone.
- Touch the ⌚ sensor control.

The indicator light will start to flash.

- Set the desired time.
- If you want to set a switch-off time for another heating element/cooking zone, follow the same steps as described above.

If more than one switch-off time is programmed, the shortest time remaining will be displayed, and the corresponding indicator light will flash. The other indicator lights will light up constantly.

- If you want to show the remaining times counting down in the background, touch the ⌚ sensor control repeatedly until the indicator light for the required heating element/cooking zone flashes.

Changing the switch-off time

- Touch the ⌚ sensor control repeatedly until the indicator light for the required heating element/cooking zone flashes.
- Set the desired time.

Deleting the switch-off time

- Touch the ⌚ sensor control repeatedly until the indicator light for the required heating element/cooking zone flashes.
- Touch the 0 sensor control on the numerical keybank.

Stop & Go

The set power level is reduced to 1 when the Stop & Go function is activated.

The power levels and the timer settings cannot be changed, the SmartLine Element can only be switched off. The minute minder and automatic switch-off times continue to run.

If the function is deactivated, the appliance switches back to the power level that was set last.

If the function is not deactivated within 1 hour, the SmartLine element will switch off.

Activating/Deactivating

- Touch the II/▶ sensor control.

Recall

If the SmartLine element is accidentally switched off during use, you can use this function to restore all the settings. The SmartLine element must be switched on again within 10 seconds.

- Switch the SmartLine element on again.

The previously set power levels flash.

- Press one of the flashing power level indicators immediately.

The appliance will continue to operate using the settings selected previously.

Additional functions

Wipe protection


You can lock the SmartLine element sensor controls for 20 seconds in order to remove soiling, for example. The ① sensor control is not locked.

Activating

- Touch the  sensor control.

The time counts down in the timer display.

Deactivating

- Touch the  sensor control until the timer display goes out.

Demonstration mode

This function enables the SmartLine element to be demonstrated in show-rooms without heating up.

Activating/deactivating the demonstration mode

- Switch the SmartLine element on.
- Touch the 0 sensor on any of the numerical keybanks.
- Then touch the 0 and 2 sensors at the same time for 6 seconds.

In the timer display, *dE* flashes alternately with *0n* (demonstration mode activated) or *0FF* (demonstration mode deactivated) for a few seconds.

Displaying the SmartLine element data

The model designation and software version of the SmartLine element can be displayed. To do this there must not be any pots or pans on the SmartLine element.

Model designation

- Switch the SmartLine element on.
- Touch the 0 sensor control on any of the numerical keybanks.
- Then touch the 0 and 4 sensor controls at the same time.

The timer display shows 2 numbers flashing alternately:

12 flashes alternately with *34* = CS 1234

Software version

- Switch the SmartLine element on.
- Touch the 0 sensor control on any of the numerical keybanks.
- Then touch the 0 and 3 sensor controls at the same time.

Numbers will appear in the timer display:

2:00 = software version

System lock / Safety lock

The lock function is deactivated if there is a break in the mains supply.

Your SmartLine element is equipped with a system lock and a safety lock to prevent the element from being switched on or any settings being altered by mistake.

The **system lock** is activated when the SmartLine element is switched on. If the system lock is activated, the element cannot be switched on and the timer cannot be used. A set minute minder time continues to count down. The SmartLine element is programmed so that the system lock must be activated manually. It can be programmed to be activated automatically 5 minutes after the SmartLine element has been switched off if it is not manually locked first (see “Programming”).

The **safety lock** is activated when the SmartLine element is switched on. When the safety lock is activated, the element can be operated only under certain conditions:

- Selected power levels cannot be changed.
- A set minute minder time can be modified.
- The SmartLine element can only be switched off.

If an unavailable sensor control is touched whilst the system lock or safety lock is activated *LDC* will appear in the timer display for a few seconds and a tone will sound.

Activating the system lock

- Touch the ⓘ sensor for 6 seconds.

The time will count down in the timer display. *LDC* will appear once the time has elapsed. The system lock has been activated.

Deactivating the system lock

- Touch the ⓘ sensor for 6 seconds.

LDC will appear briefly in the timer display and then the time will count down. The lock function is deactivated once the time has elapsed.

Safety features

Activating the safety lock

- Touch and hold the ⌚ and II/▶ sensors at the same time for 6 seconds.

The time will count down in the timer display. *LDC* will appear once the time has elapsed. The safety lock is activated.

Deactivating the safety lock

- Touch and hold the ⌚ and II/▶ sensors at the same time for 6 seconds.

LDC will appear briefly in the timer display and then the time will count down. Once the time has elapsed the lock function is deactivated.

Safety switch-off

Safety switch-off if the sensors are covered

Your SmartLine element will turn off automatically if one or several of the sensor controls remain covered for longer than 10 seconds, for example, by finger contact, food boiling over or by an object such as an oven glove or tea towel. ① flashes briefly above the *F* sensor control and a tone will sound. If you remove the obstruction and/or clean the hob, *F* goes out and the SmartLine element is ready for use again.

Safety switch-off with an overlong cooking time

The safety shut-off is triggered automatically if a heating element is heated for an unusually long period of time. This time depends on the power level selected. If it has been exceeded, the heating element turns off and the residual heat indicator appears. The SmartLine element can now be used again as normal.

The SmartLine element is programmed to safety setting 0 at the factory. If required you can set a higher safety setting with a shorter maximum operating time (see chart).

Power level*	Maximum operating time [h:min]		
	Safety setting		
	0**	1	2
1	10:00	8:00	5:00
1.	10:00	7:00	4:00
2/2.	5:00	4:00	3:00
3/3.	5:00	3:30	2:00
4/4.	4:00	2:00	1:30
5/5.	4:00	1:30	1:00
6/6.	4:00	1:00	0:30
7/7.	4:00	0:42	0:24
8	4:00	0:30	0:20
8.	4:00	0:30	0:18
9	1:00	0:24	0:10

* The power levels with a dot after the number are only available if the power level range has been extended (see “Setting range”).

** Factory default setting

Safety features

Overheating protection

All the induction coils and cooling elements for the electronics are fitted with an overheating protection mechanism. Before the induction coils or cooling elements get too hot, the overheating protection mechanism cuts in in one of the following ways:

Induction coils

- The set power level will be reduced.
- The cooking zone switches off automatically. *Err* flashes alternately with *44* in the timer display.

You can use the cooking zone again as usual when the error message has gone out.

Cooling elements

- The set power level will be reduced.
- The cooking zone switches off automatically.

The affected cooking zone can only be used again as usual once the cooling element has cooled down to a safe level.

The overheating protection mechanism can be triggered by:

- Fat or oil being heated on a high power level.
- Insufficient ventilation of the underside of the Tepan plate.
- A hot cooking zone being switched on after an interruption to the power supply.

If, despite removing the cause, the overheating protection mechanism triggers again, contact Miele Service.

You can adapt the programming of the SmartLine element to your personal needs. Several settings can be altered in succession.

After accessing the programming mode, the \oplus symbol and PC will appear in the timer display. After a few seconds $P:01$ (programme 01) will flash alternately with $C:01$ (code) in the timer display.

Changing the programming

Calling up programming

- **With the SmartLine element switched off**, press and hold the \oplus and II/\blacktriangleright sensor controls together until the \oplus symbol lights up and PC is shown in the timer display.

Setting the programme

For a two-digit programme number you need to first set the tens position.

- Touch the \oplus sensor control repeatedly until the programme number you want appears in the display, or touch the appropriate number on the numerical keybank.

Setting the code

- Touch the \oplus sensor control repeatedly until the code number you want appears in the display, or touch the appropriate number on the numerical keybank.

Saving the settings

- While the programme is showing in the display (e.g. $P:01$) touch the \oplus sensor control until the indicators go out.

To avoid saving the settings

- Touch the II/\blacktriangleright sensor control until the indicators go out.

Programming

Programme ¹⁾		Code ²⁾	Settings
P:01	Demonstration mode	C:00	Demonstration mode off
		C:01	Demonstration mode on ³⁾
P:03	Factory setting	C:00	Do not restore standard settings
		C:01	Restore standard settings
P:04	Number of power levels	C:00	9 power levels
		C:01	17 power levels ⁴⁾
P:06	Keypad tone when a sensor is touched	C:00	Off ⁵⁾
		C:01	Quiet
		C:02	Medium
		C:03	Loud
P:07	Audible tone for the timer	C:00	Off ⁵⁾
		C:01	Quiet
		C:02	Medium
		C:03	Loud
P:08	System lock	C:00	System lock can only be activated manually
		C:01	System lock activated automatically
P:09	Maximum operating time	C:00	Safety setting 0
		C:01	Safety setting 1
		C:02	Safety setting 2

Programme ¹⁾		Code ²⁾	Settings
P:12	Sensor controls reaction speed	C:00	Slow
		C:01	Normal
		C:02	Rapid

1) Unlisted programmes are not assigned.

2) The factory setting is shown in bold.

3) After the SmartLine element has been switched on dE appears in the timer display for a few seconds.

4) In the text and charts, the extended power levels are shown with a dot after the number for better understanding.

5) The tone which sounds when the On/Off sensor is touched cannot be switched off.

Cleaning and care



Danger of burning.

Before cleaning the appliance make sure that you have switched it off and that it has cooled down.



Danger of injury.

The steam from a steam cleaning appliance could reach electrical components and cause a short circuit. Do not use a steam cleaner to clean the appliance.

The use of unsuitable cleaning agents can cause the surfaces to discolour or alter.

All surfaces are susceptible to scratching.

Remove any residual cleaning agent immediately.

Allow the SmartLine element to cool down before cleaning.

- Clean the SmartLine element and accessories after each use.
- Dry the SmartLine element thoroughly after every cleaning to avoid limescale residue.

Unsuitable cleaning agents

To avoid damaging the surfaces, do not use:

- cleaning agents containing soda, ammonia, acids or chlorides
- cleaning agents containing descaling agents
- stain or rust removers
- abrasive cleaning agents, e.g. powder cleaners and cream cleaners
- solvent-based cleaning agents
- dishwasher cleaner
- grill and oven cleaners
- glass cleaning agents
- hard, abrasive brushes or sponges, e.g. pot scourers, brushes or sponges which have been previously used with abrasive cleaning agents
- melamine eraser blocks

Control panel

- Remove any coarse soiling with a damp cloth and more stubborn soiling with a scraper blade suitable for use on glass.
- Then clean the control panel with the Miele ceramic and stainless steel hob cleaner (see “Optional accessories”) or with a commercially available ceramic glass cleaner applied with kitchen paper or a clean cloth.
- Finally wipe the control panel with a damp cloth, and then dry it.

Frying surface

- Use a spatula to remove any large particles immediately.
- Allow the appliance to cool down until it can be touched by hand, and then use a solution of hot water and washing-up liquid to soften the soiling. Clean the surface with the pad of a non-scouring sponge and a few drops of Miele Ceramic and stainless steel hob cleaning agent (see “Optional accessories”). Finally wipe with a damp cloth and dry thoroughly.

Always use clean water to wipe the appliance to ensure that every trace of cleaning agent has been removed. Any remaining traces could affect food the next time you use the appliance.

Important - Conditioning agents for stainless steel must not be used on the frying surface.

Problem solving guide

Many malfunctions and faults that can occur in daily operation can be easily remedied. Time and money will be saved because a service call will not be needed.

The following guide may help you to find the reason for a malfunction or a fault, and to correct it.

Problem	Cause and remedy
<p>The SmartLine element cannot be switched on.</p>	<p>There is no power to the SmartLine element.</p> <ul style="list-style-type: none"> ■ Check whether the mains fuse has tripped. Contact an electrician or Miele Service (for the minimum fuse rating, see data plate). <hr/> <p>There may be a technical fault.</p> <ul style="list-style-type: none"> ■ Disconnect the appliance from the mains electricity supply for approx. 1 minute by <ul style="list-style-type: none"> – tripping the relevant mains fuse or screwing the fuse out completely, or – switching off the residual current protection device. ■ If, after resetting the trip switch in the mains fuse box or the residual current protection device, the appliance will still not turn on, contact a qualified electrician or Miele Service.
<p>After the SmartLine element has been switched on or a sensor control has been touched, <i>LDC</i> appears in the timer display for a few seconds.</p>	<p>The system lock or safety lock is activated.</p> <ul style="list-style-type: none"> ■ Deactivate the system lock or safety lock (see “System lock / Safety lock”).
<p>The SmartLine element has switched off automatically. When the element is switched back on, an <i>F</i> appears above the On/Off sensor control ①.</p>	<p>One or more of the sensor controls are covered, e.g. by finger contact, food boiling over or an object.</p> <ul style="list-style-type: none"> ■ Clean off any dirt or remove the object (see “Safety switch-off”).

Problem solving guide

Problem	Cause and remedy
<p>After the SmartLine element has been switched on <i>dE</i> appears in the timer display for a short while. The Smart-Line element does not heat up.</p>	<p>The SmartLine element is in demonstration mode.</p> <ul style="list-style-type: none"> ■ Touch the 0 and 2 sensor controls at the same time until <i>dE</i> flashes alternately with <i>OFF</i> in the timer display.
<p>The Tepan plate or a cooking zone switches off automatically.</p>	<p>It has been operated for too long.</p> <ul style="list-style-type: none"> ■ Switch the Tepan plate or the cooking zone back on (see “Safety switch-off”). <p>The overheating protection mechanism has been activated.</p> <ul style="list-style-type: none"> ■ See “Overheating protection”.
<p>An operating noise can be heard after the SmartLine element has been switched off.</p>	<p>The cooling fan runs until the SmartLine element has cooled down and then switches off automatically.</p>
<p>The sensor controls show increased sensitivity or fail to react.</p>	<p>The sensitivity level of the sensor controls has changed.</p> <ul style="list-style-type: none"> ■ Make sure that there is no direct light (from the sun or from an artificial source) falling onto the Smart-Line element. The area surrounding the SmartLine element must not be too dark. ■ Take any pans off the SmartLine element and wipe away any food deposits. Ensure that there is nothing covering the entire SmartLine element unit or sensor controls. ■ Interrupt the power supply to the SmartLine element for approx. 1 minute. ■ If the problem persists after power has been restored, please contact Miele Service.
<p><i>Err</i> flashes alternately with <i>30</i> in the timer display and a tone will sound.</p>	<p>The SmartLine element is connected incorrectly.</p> <ul style="list-style-type: none"> ■ Disconnect the SmartLine element from the mains. ■ Contact Miele Service.

Problem solving guide

Problem	Cause and remedy
1 and a number, e.g. 1-0 flashes alternately with a 3 digit number in the timer display.	Heating element malfunction <ul style="list-style-type: none"> ■ Interrupt the power supply to the SmartLine element for approx. 1 minute. ■ If the problem persists after power has been restored, please contact Miele Service.
In the timer display <i>Err</i> flashes alternately with numbers.	<i>Err44</i> The overheating protection mechanism has been activated. <ul style="list-style-type: none"> ■ See “Overheating protection”.
	<i>Err47, Err48 or Err49</i> The fan is blocked or defective. <ul style="list-style-type: none"> ■ Make sure it has not been blocked by something like a fork. Remove the cause of the blockage. ■ If this fault code continues to appear in the display, contact Miele Service.
	<i>Err</i> and other numbers There is a fault in the electronic module. <ul style="list-style-type: none"> ■ Interrupt the power supply to the SmartLine element for approx. 1 minute. ■ If the problem persists after power has been restored, please contact Miele Service.

Miele offer a comprehensive range of useful accessories as well as cleaning and conditioning products for your Miele appliances.

These products can be ordered through the Miele Webshop.

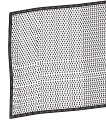
They can also be ordered from Miele (see end of this booklet for contact details) or from your Miele dealer.

Ceramic and stainless steel hob cleaner 250 ml



Removes heavy soiling, limescale deposits and aluminium residues

Microfibre cloth



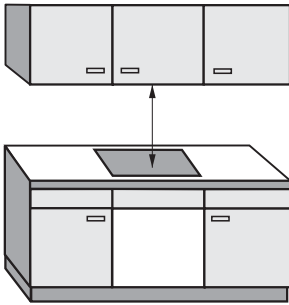
Removes finger marks and light soiling

Safety instructions for installation

Fit the wall units and cooker hood before fitting the SmartLine element to avoid damaging it.

- ▶ The veneer or laminate coatings of worktops (or adjacent kitchen units) must be treated with 100 °C heat-resistant adhesive which will not dissolve or distort. Any backmoulds must be of heat-resistant material.
- ▶ The SmartLine element must not be installed over a fridge, fridge-freezer, freezer, dishwasher, washing machine, washer-dryer or tumble dryer.
- ▶ When installing the SmartLine element, make sure that the mains connection cable cannot come into contact with hot appliance parts.
- ▶ After installation, the mains connection cable of the SmartLine element must not come into contact with any moving kitchen component (e.g. a drawer) or be subject to mechanical loads which could damage it.
- ▶ Observe carefully the safety clearances listed on the following pages.

Safety distance above the SmartLine element



The safety distance specified by the manufacturer of the cooker hood must be maintained between the SmartLine element and the cooker hood above it.

If combustible objects are installed above the SmartLine element (e.g. cabinets, utensil rail, etc.), a minimum safety distance of 600 mm must be maintained.

When two or more SmartLine elements which have different safety distances are installed together below a cooker hood, you should observe the greatest safety distance.

Safety distances

Safety distances to the sides and back of the hob

The SmartLine element should preferably be installed with plenty of space on the right and left.

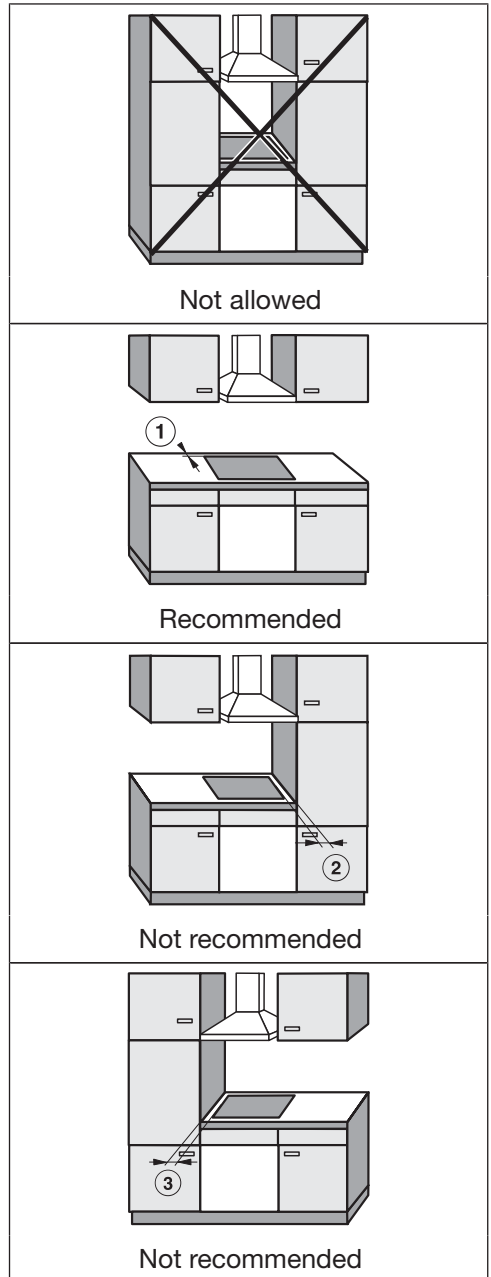
The minimum distance ① specified below must be observed between the rear of the SmartLine element and a tall unit or room wall.

The minimum distance ②, ③ specified below must be adhered to between one side of the SmartLine element (right or left) and a tall unit or room wall. A minimum distance of 300 mm must be observed on the opposite side.

① Minimum distance between the **back** of the worktop cut-out and the rear edge of the worktop: 50 mm

② Minimum distance on the **right** side between the worktop cut-out and the closest adjacent piece of furniture (e.g. tall unit) or a room wall: 50 mm.

③ Minimum distance on the **left** side between the worktop cut-out and the closest adjacent piece of furniture (e.g. tall unit) or a room wall: 50 mm.



Safety distance when installing the appliance near a wall with additional niche cladding

If a niche cladding is installed, a minimum safety distance must be maintained between the worktop cut-out and the cladding, since high temperatures can damage these materials.

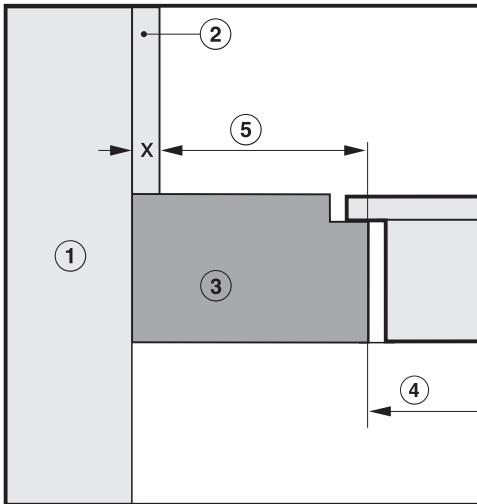
If the niche cladding is made from a combustible material (e.g. wood) a minimum safety distance ⑤ of 50 mm must be maintained between the worktop cut-out and the cladding.

If the niche cladding is made from a non-combustible material (e.g. metal, natural stone, ceramic tiles) the minimum safety distance ⑤ between the worktop cut-out and the cladding will be 50 mm less the thickness of the cladding.

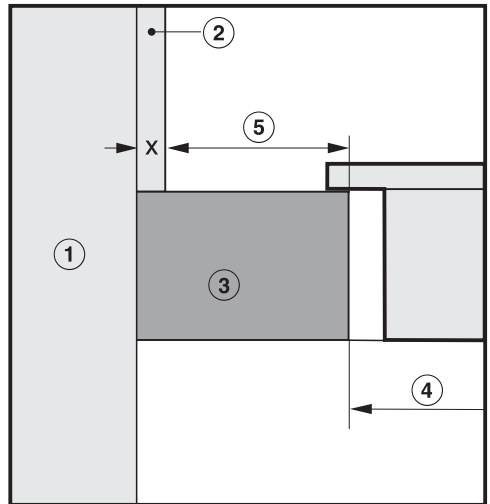
Example: 15 mm niche cladding

50 mm - 15 mm = minimum safety distance of 35 mm

Flush-fit installation



Onset installation



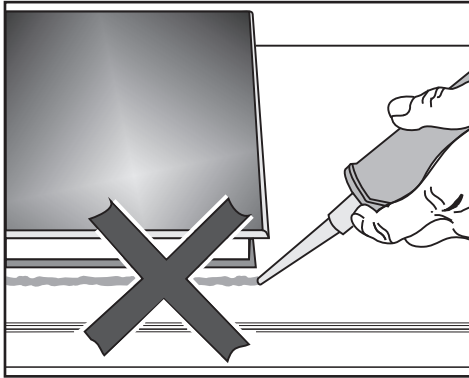
- ① Masonry
- ② Niche cladding dimension x = thickness of the niche cladding material
- ③ Worktop
- ④ Worktop cut-out
- ⑤ Minimum distance to
combustible materials 50 mm
non-combustible materials 50 mm - dimension x

Installation notes

All dimensions are given in mm.

Onset installation

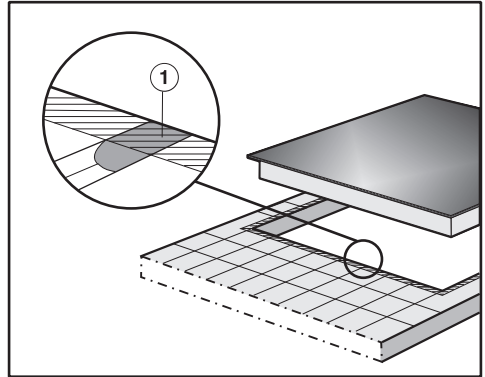
Sealing between the SmartLine Element and the worktop



The SmartLine element and worktop may be damaged if the element needs to be removed after it has been sealed with a sealant.

Do not use any sealant between the SmartLine element and the worktop. The seal under the edge of the top part of the appliance provides a sufficient seal for the worktop.

Tiled worktop



Grout lines ① and the hatched area underneath the SmartLine element frame must be smooth and even. If they are not, the SmartLine element will not sit flush with the worktop and the sealing strip underneath the top part of the appliance will not provide a good seal between the appliance and the worktop.

Flush-fit installation

Flush-fit installation is only possible in natural stone (granite, marble), solid wood and tiled worktops. For installation in worktops made of other materials, please consult the relevant manufacturer as to whether their worktops are suitable for flush-fit installation.

The internal width of the base unit underneath the appliance must be at least as wide as the inner worktop cut-out (see “Cut-out dimensions for flush-fit installation”), so that the SmartLine element is easily accessible from underneath after installation and the bottom half of the casing can be removed for maintenance. If the element is not freely accessible from below after installation, the sealant must be removed so that the element can be removed.

The SmartLine element is

- directly installed in a suitable cut-out in a natural stone worktop,
- secured in a suitable cut-out in solid wood and tiled worktops with a wooden support frame. The frame must be provided on site, and is not supplied with the appliance.

Installation notes

Installing several SmartLine elements

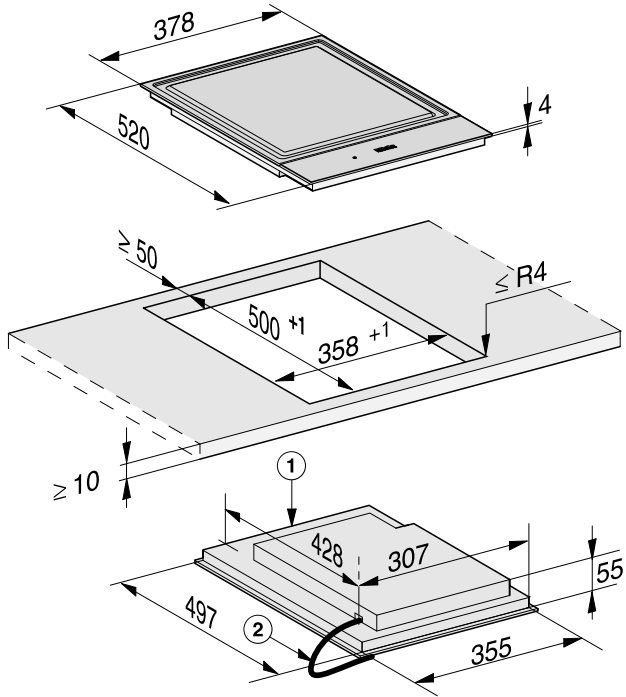
The gaps between the individual SmartLine elements are sealed with a silicone sealant that is heat-resistant to at least 160 °C. With flush-fit installation, the gap between the SmartLine element(s) and the worktop must also be sealed with a silicone sealant that is heat-resistant to at least 160 °C.

After installation, the SmartLine elements must be easily accessible from below, so that the bottom half of the casing can be removed for maintenance. If the SmartLine elements are not accessible from below, the sealant must be removed so that they can be removed.

Combination with a downdraft extractor

If the SmartLine element is installed in combination with a downdraft extractor, the latter must be installed first.

Onset installation

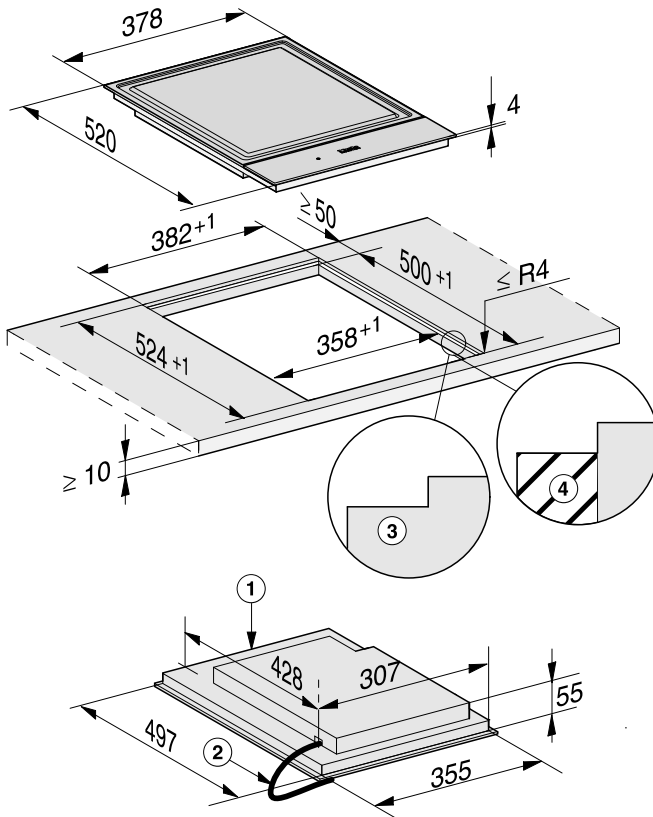


① Front

② Mains connection cable, L = 2000 mm

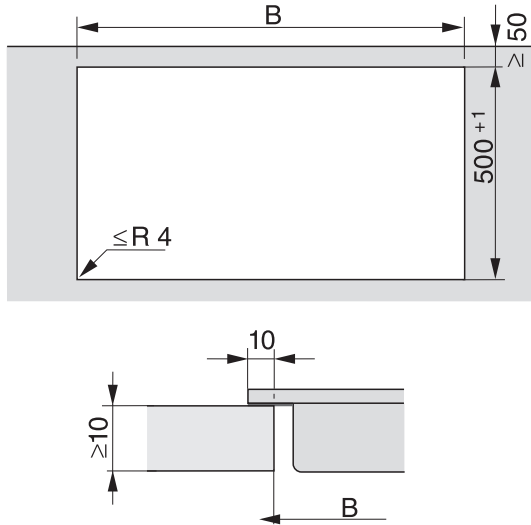
Building-in dimensions

Flush-fit installation



- ① Front
- ② Mains connection cable, L = 2000 mm
- ③ Stepped cut-out (for detailed illustrations, see “Worktop cut-out for flush-fit installation”)
- ④ 12 mm wooden frame (not supplied, for detailed illustrations, see “Worktop cut-out for flush-fit installation”)

Worktop cut-out for onset installation



Information for calculating the cut-out

The elements overlap the worktop by 10 mm.

When installing several elements, a distance of 2 mm must be observed between the individual elements.

Calculating cut-out dimension **B**








1 element = width of the element minus 10 mm on the right, minus 10 mm on the left

Several elements = total width of the elements plus 2 mm distance between the elements, minus 10 mm on the right, minus 10 mm on the left.

Some examples are illustrated below.







Worktop cut-out for onset installation

Installation with a downdraft extractor

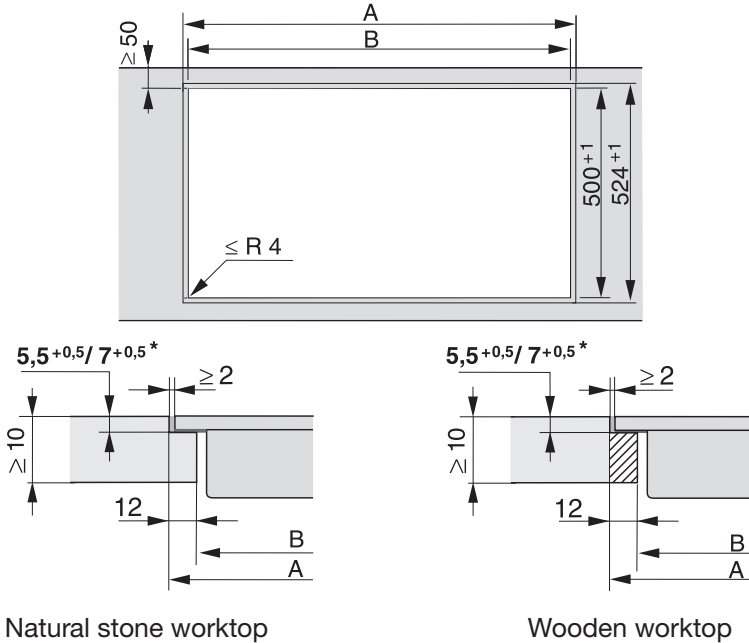
Sample combinations	Number x width [mm]		Dimension B [mm]
	Cooking elements	Downdraft extractor	
	1 x 378	1 x 120	480 ⁺¹
	2 x 378	1 x 120	860 ⁺¹
	1 x 378 1 x 620	2 x 120	1224 ⁺¹
	3 x 378	2 x 120	1362 ⁺¹
	2 x 378 1 x 620	2 x 120	1604 ⁺¹
	4 x 378	2 x 120	1742 ⁺¹
	1 x 620	2 x 120	844 ⁺¹

Worktop cut-out for onset installation

Installation without a downdraft extractor

Sample combinations	Number x width [mm] Cooking elements	Dimension B [mm]
	1 x 378	358 ⁺¹
	2 x 378	738 ⁺¹
	1 x 378 1 x 620	980 ⁺¹
	3 x 378	1118 ⁺¹
	2 x 378 1 x 620	1360 ⁺¹
	4 x 378	1498 ⁺¹

Worktop cut-out for flush-fit installation



* $7^{+0,5}$ mm for CS 7611

Information for calculating the cut-out

The elements overlap the worktop by 10 mm.

When installing several elements, a distance of 2 mm must be observed between the individual elements.

Calculating cut-out dimension **A**








1 element = width of the element plus 2 mm on the right, plus 2 mm on the left.
 Several elements = total width of the elements plus 2 mm distance between the elements, plus 2 mm on the right, plus 2 mm on the left

Calculating cut-out dimension **B** = cut-out dimension A minus 12 mm on the right, minus 12 mm on the left.

Some examples are illustrated below.







Worktop cut-out for flush-fit installation

Installation with a downdraft extractor

Sample combinations	Number x width [mm]		Dimension A [mm]	Dimension B [mm]
	Cooking elements	Downdraft extractor		
	1 x 378	1 x 120	504 ⁺¹	480 ⁺¹
	2 x 378	1 x 120	884 ⁺¹	860 ⁺¹
	1 x 378 1 x 620	2 x 120	1248 ⁺¹	1224 ⁺¹
	3 x 378	2 x 120	1386 ⁺¹	1362 ⁺¹
	2 x 378 1 x 620	2 x 120	1628 ⁺¹	1604 ⁺¹
	4 x 378	2 x 120	1766 ⁺¹	1742 ⁺¹
	1 x 620	2 x 120	868 ⁺¹	844 ⁺¹

Worktop cut-out for flush-fit installation

Installation without a downdraft extractor

Sample combinations	Number x width [mm] Cooking elements	Dimension A [mm]	Dimension B [mm]
	1 x 378	382 ⁺¹	358 ⁺¹
	2 x 378	762 ⁺¹	738 ⁺¹
	1 x 378 1 x 620	1004 ⁺¹	980 ⁺¹
	3 x 378	1142 ⁺¹	1118 ⁺¹
	2 x 378 1 x 620	1384 ⁺¹	1360 ⁺¹
	4 x 378	1522 ⁺¹	1498 ⁺¹

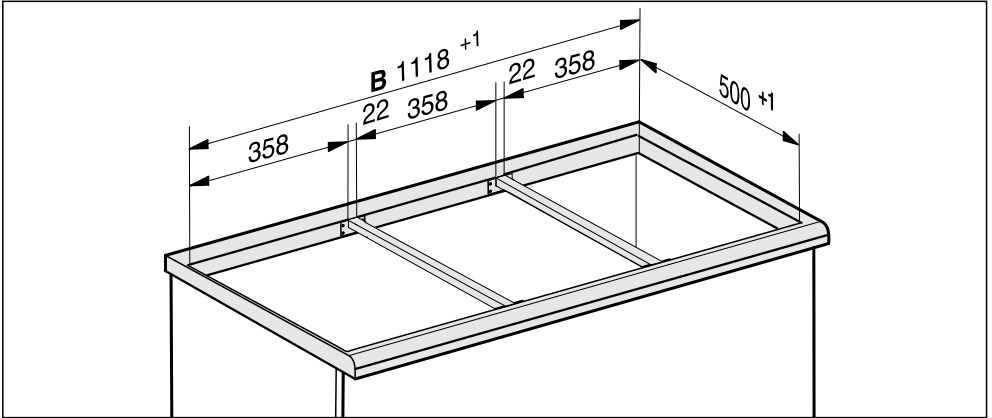
Spacer bars

When installing several SmartLine elements, an additional spacer bar must be fitted in between the individual elements.

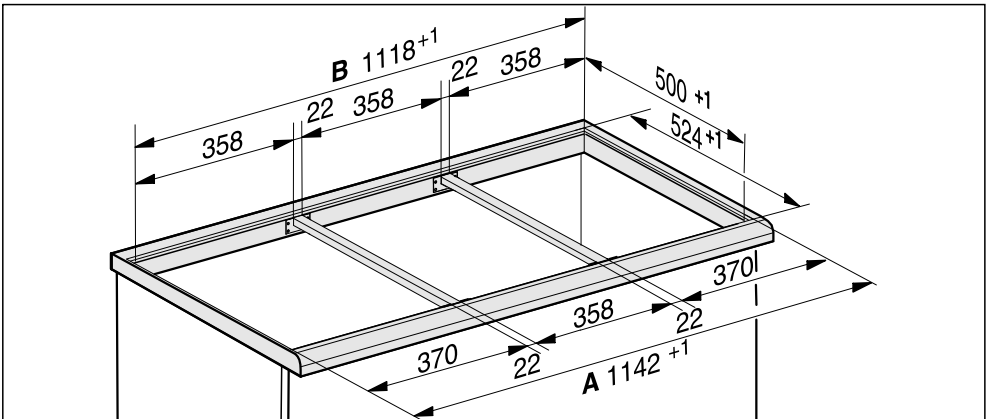
The clips supplied with the spacer bars are only required for installing the CSDA.

Installing 3 elements and 2 spacer bars

Onset installation



Flush-fit installation



Installation

Preparing the worktop

- Create the worktop cut-out. Remember to maintain the minimum safety distances (see “Safety distances”).
- Seal any cut surfaces on **wooden worktops** with a special varnish, silicone rubber or resin to prevent the wood from swelling as a result of moisture. The sealant must be temperature-resistant.

Make sure that the sealant does not come into contact with the top of the worktop.

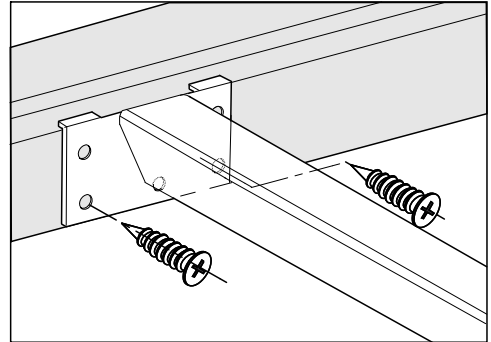
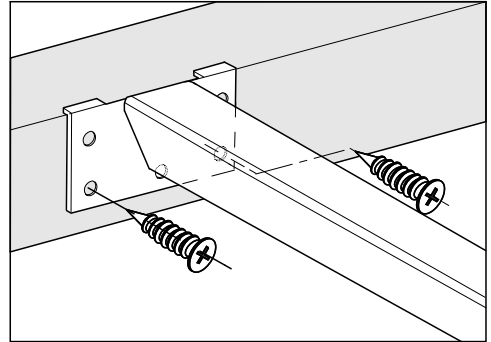
Flush-fit installation

- For wooden worktops, secure the wooden frames 5.5 mm below the upper edge of the worktop. For CS 7611, the wooden frame must be secured 7 mm under the upper edge of the worktop.

Fitting the spacer bars

Use the middle screw holes if one of the following SmartLine elements is installed to the right or left of the spacer bar: CS 7611, CS 7101, CS 7102

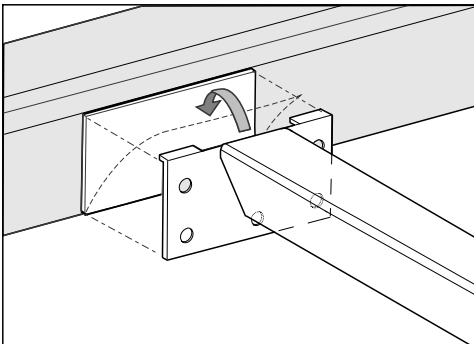
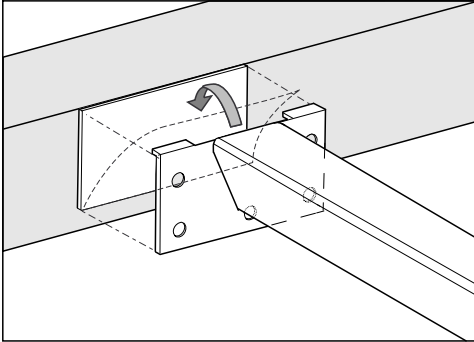
Wooden worktops



- Position the spacer bars flush onto the upper edge of the cut-out or onto the lower step of the stepped cut-out.
- Secure the spacer bars with the 3.5 x 25 mm wood screws supplied.

Natural stone worktops

You will need heavy-duty double-side tape (not supplied) to secure the spacer bars.



- Stick the tape onto the upper edge of the cut-out or onto the lower step of the stepped cut-out.
- Position the spacer bars flush onto the upper edge of the cut-out or onto the lower step of the stepped cut-out.
- Press the spacer bars firmly into place.

Installing the SmartLine element

- Stick the supplied sealing strip under the edge of the SmartLine element. Do not apply the sealing strip under tension.
- Feed the mains connection cable down through the cut-out.
- Position the SmartLine element in the worktop cut-out. When doing this make sure that the seal of the appliance sits flush with the worktop on all sides. This is important to ensure an effective seal all round.

Onset installation

- If the seal does not meet the worktop correctly on the corners, carefully scribe the corner radii ($\leq R4$) with a jigsaw.

Do not use any additional sealant (e.g. silicone) on the SmartLine element.

- Connect the SmartLine element to the mains.
- If required, connect the SmartLine element to the gas supply (see “Gas connection”).
- Check that the SmartLine element works.
- Seal the gaps between the individual elements with a silicone sealant that is heat-resistant to at least 160 °C.

Installation

Flush-fit installation

- Connect the SmartLine element to the mains.
- If required, connect the SmartLine element to the gas supply (see “Gas connection”).
- Check that the SmartLine element works.
- Seal the gaps between the individual elements and between the elements and the worktop with a silicone sealant that is heat-resistant to at least 160 °C.

Unsuitable sealant can damage natural stone.

For natural stone worktops and natural stone tiles, only use silicone sealant that is specially formulated for natural stone. Please follow the manufacturer's instructions.



Danger of injury!

Installation, repairs and other work by unqualified persons could be dangerous. Miele cannot be held liable for unauthorised work.

Miele cannot be held liable for damage or injury caused by unauthorised installation, maintenance or repair work, or by an inadequate or faulty on-site earthing system (e.g. electric shock).

The SmartLine element must be connected to the mains electricity supply by a suitably qualified and competent person, in strict accordance with current national and local safety regulations.

After installation ensure that all electrical components are shielded and cannot be accessed by users.

Total power rating

See data plate

Connection data

The connection data is quoted on the data plate. Please ensure these match the household mains supply.

Residual current device

For extra safety, it is advisable to protect the SmartLine element with a suitable residual current device (RCD) with a trip range of 30 mA.

WARNING!


THIS APPLIANCE MUST BE EARTHED

Disconnecting devices

It must be possible to disconnect the SmartLine element from the mains at all poles using disconnecting devices! A contact distance of at least 3 mm must be observed in the switched-off state! The disconnecting devices are overcurrent protection devices and residual current protection devices.

Electrical connection

Disconnecting from the mains

 Danger of electric shock.
After disconnection, ensure the appliance cannot be switched back on by mistake.

To disconnect the appliance from the mains power supply, do one of the following depending on installation:

Safety fuses

- Completely remove fuses

Automatic circuit breakers

- Press the (red) button until the middle (black) button springs out.


Built-in circuit breakers

- Circuit breakers, type B or C: switch the on-off switch from 1 (on) to 0 (off).

Residual current device (RCD)

- Switch the main switch from 1 (on) to 0 (off) or press the test button.

Replacing the mains connection cable

 Danger of electric shock!
The mains connection cable must only be fitted by a suitably qualified electrician.

When replacing the mains connection cable, please use cable type H 05 VV-F with a suitable cross-section. These cables are available from the manufacturer or from the Miele Spare Parts Department.

Contact in case of malfunction

In the event of any faults which you cannot remedy yourself, please contact your Miele Dealer or Miele Service.

Contact information for Miele Service can be found at the end of this document.

Please note that telephone calls may be monitored and recorded for training purposes and that a call-out charge will be applied to service visits where the problem could have been resolved as described in this booklet.

Please quote the model and serial number of your appliance when contacting Miele. This information can be found on the data plate.

Data plate

Stick the extra data plate supplied with the appliance here. Make sure that the model number matches the one specified on the back cover of this document.



Warranty

The appliance warranty is valid for 2 years from date of purchase. In the UK, you must activate your cover by calling 0330 160 6640 or registering online at www.miele.co.uk.

For further information on country specific warranty terms and conditions, please refer to your warranty booklet or contact Miele Customer Service.

United Kingdom

Miele Co. Ltd.
Fairacres, Marcham Road
Abingdon, Oxon, OX14 1TW
Customer Contact Centre Tel: 0330 160 6600
E-mail: mielecare@miele.co.uk
Internet: www.miele.co.uk

Australia

Miele Australia Pty. Ltd.
ACN 005 635 398
ABN 96 005 635 398
1 Gilbert Park Drive
Knoxfield, VIC 3180
Tel: 1300 464 353
Internet: www.miele.com.au

China

Miele (Shanghai) Trading Ltd.
1-3 Floor, No. 82 Shi Men Yi Road
Jing' an District
200040 Shanghai, PRC
Tel: +86 21 6157 3500
Fax: +86 21 6157 3511
E-mail: info@miele.cn
Internet: www.miele.cn

Miele (Hong Kong) Limited

41/F - 4101, Manhattan Place
23 Wang Tai Road
Kowloon Bay, Hong Kong
Tel: (852) 2610 1025
Fax: (852) 3579 1404
Email:
customerservices@miele.com.hk
Website: www.miele.hk

India

Miele India Pvt. Ltd.
Ground Floor
Copia Corporate Suites
Plot No. 9, Jasola
New Delhi - 110025
Tel: 011-46 900 000
Fax: 011-46 900 001
E-mail: customercare@miele.in
Internet: www.miele.in

Manufacturer: Miele & Cie. KG, Carl-Miele-Straße 29, 33332 Gütersloh, Germany

Miele

Ireland

Miele Ireland Ltd.
2024 Bianconi Avenue
Citywest Business Campus
Dublin 24
Tel: (01) 461 07 10
Fax: (01) 461 07 97
E-Mail: info@miele.ie
Internet: www.miele.ie

Malaysia

Miele Sdn Bhd
Suite 12-2, Level 12
Menara Sapura Kencana
Petroleum
Solaris Dutamas No. 1
Jalan Dutamas 1
50480 Kuala Lumpur, Malaysia
Phone: +603-6209-0288
Fax: +603-6205-3768

New Zealand

Miele New Zealand Limited
IRD 98 463 631
Level 2, 10 College Hill
Freemans Bay, Auckland 1011
New Zealand
Tel: 0800 464 353
Internet: www.miele.co.nz

Singapore

Miele Pte. Ltd.
163 Penang Road
04 - 03 Winsland House II
Singapore 238463
Tel: +65 6735 1191
Fax: +65 6735 1161
E-Mail: info@miele.com.sg
Internet: www.miele.sg

South Africa

Miele (Pty) Ltd
63 Peter Place, Bryanston 2194
P.O. Box 69434, Bryanston 2021
Tel: (011) 875 9000
Fax: (011) 875 9035
E-mail: info@miele.co.za
Internet: www.miele.co.za

Taiwan

K.E. & Kingstone Co., Ltd.
6th Fl., No. 120, Sec. 2
Jianguo N. Rd.
Taipei, Taiwan
TEL: +886 2 2502-7256
FAX: +886 2 2502-3077
E-mail: kenk@kenk.com.tw
Website:
www.kenk.com.tw/ke/miele

Thailand

BHIRAJ TOWER at EmQuartier
43rd Floor Unit 4301-4303
689 Sukhumvit Road
North Klongton Sub-District
Vadhana District
Bangkok 10110, Thailand

United Arab Emirates

Miele Appliances Ltd.
Gold & Diamond Park
Office No. 6-217
Sheikh Zayed Road
P.O. Box 11 47 82 - Dubai
Tel. +971 4 3044 999
Fax. +971 4 3418 852
800-MIELE (64353)
E-Mail: info@miele.ae
Website: www.miele.ae

CS 7632

en-GB

M.-Nr. 10 803 080 / 03