

H 7464 BP

Oven

seamless design with food probe and LED lighting.



- Large clear text display with sensor controls – DirectSensor
- Minimal cleaning effort – pyrolytic cleaning equipment & PyroFit
- Especially light dough and nicely browned crusts – Moisture plus
- Ensures your food won't overcook – TasteControl
- Network-enabled WiFi appliance – Miele@home

A<sup>+</sup>

EAN: 4002516132844 / article number: 22746445D / material number: 11105730

| Model and design                                  |                             |
|---|-----------------------------|
| Built-in oven                                     | •                           |
| PureLine  | •                           |
| Appliance colour                                  | Stainless steel/Clean Steel |
| Convenience features                              |                             |
| TasteControl                                      | •                           |
| Rapid heat-up                                     | •                           |
| Pre-heating                                       | •                           |
| Food probe  | •                           |
| Keeping warm                                      | •                           |
| Crisp function                                    | •                           |
| Operating modes                                   |                             |
| Defrosting  | •                           |
| Automatic programmes                              | •                           |
| Country-specific automatic programmes             | •                           |
| Auto roast  | •                           |
| Grill   | •                           |
| Fan plus  | •                           |
| Intensive bake                                    | •                           |
| Moisture plus                                     | •                           |
| Moisture plus with Fan plus                       | •                           |
| Moisture plus with Conventional heat              | •                           |
| Conventional heat                                 | •                           |
| Bottom heat                                       | •                           |
| Fan grill   | •                           |
| User convenience                                  |                             |
| Display   | DirectSensor                |
| SoftClose   | •                           |
| MultiLingua                                       | •                           |
| Programmable timed steam injection                | •                           |
| Time of day display                               | •                           |
| Clock synchronisation                             | •                           |
| Date display                                      | •                           |
| Minute minder                                     | •                           |
| Programmable start of cooking duration            | •                           |
| Programmable end of cooking duration              | •                           |
| Programmable cooking duration                     | •                           |
| Actual temperature display                        | •                           |
| Target temperature display                        | •                           |
| Audible signal when target temperature is reached | •                           |
| Recommended temperature                           | •                           |
| User programmes                                   | 20                          |
| Individual settings                               | •                           |
| Efficiency and sustainability                     |                             |
| Energy efficiency class (A+++ - D)                | A+                          |
| Residual heat utilisation                         | •                           |

H 7464 BP

Oven

seamless design with food probe and LED lighting.

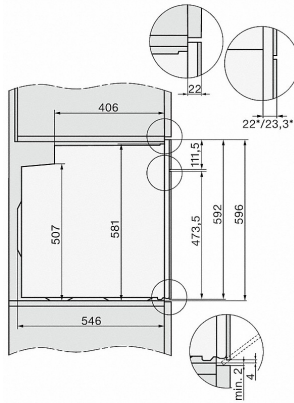


| <b>Cleaning convenience</b>                    |            |
|--|------------|
| Stainless steel front with CleanSteel finish   | •          |
| Pyrolytic self-cleaning                        | •          |
| Unheated catalyser                             | •          |
| Hinged grill heater element                    | •          |
| CleanGlass door                                | •          |
| <b>Appliance networking</b>                    |            |
| Miele@home                                     | •          |
| MobileControl                                  | •          |
| RemoteService                                  | •          |
| WiFiConn@ct                                    | •          |
| <b>Safety</b>                                  |            |
| Appliance cooling system and touch-cool fronts | •          |
| Safety switch-off                              | •          |
| System lock                                    | •          |
| Door lock during pyrolytic cleaning            | •          |
| Sensor lock                                    | •          |
| <b>Accessory drawer</b>                        |            |
| Capacity                                       | 76         |
| <b>Technical data</b>                          |            |
| Oven compartment volume in l                   | 76         |
| No. of shelf levels                            | 5          |
| Numbered shelf levels                          | •          |
| Oven light                                     | 1 LED spot |
| Appliance width in mm                          | 595        |
| Appliance height in mm                         | 596        |
| Appliance depth in mm                          | 569        |
| Weight in kg                                   | 47,0       |
| Total rated load in kW                         | 3,6        |
| Voltage in V                                   | 220-240    |
| Frequency in Hz                                | 50         |
| Number of phases                               | 1          |
| Fuse rating in A                               | 16         |
| Mains cable with plug                          | •          |
| Length of supply lead in m                     | 1,7        |
| <b>Standard accessories</b>                    |            |
| Baking tray with PerfectClean                  | 1          |
| Universal tray with PerfectClean               | 1          |
| Baking and roasting rack PyroFit               | 1          |
| PyroFit FlexiClip runners                      | 1          |
| Descaling tablets                              | 2          |

H 7464 BP

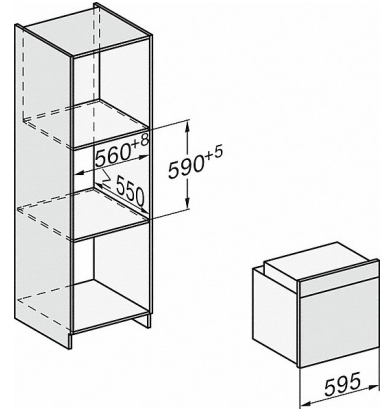
Oven

seamless design with food probe and LED lighting.

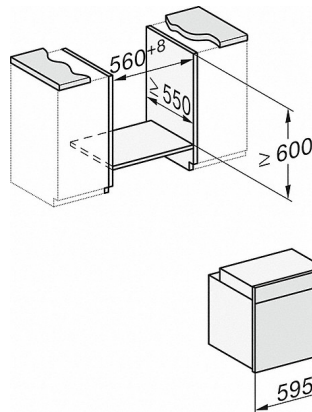


H2760B/BP, H28x0B/BP, H7x6xB/BP/BPX, installation drawings, GB, AUS

22 mm - glass  
23,3 mm - metal

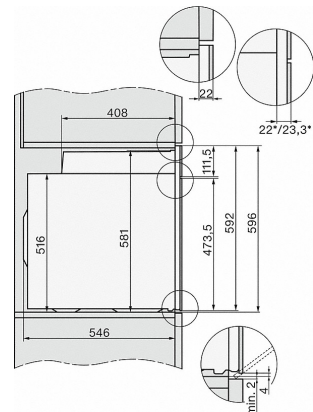


H226x-1B/BP/E/EP/I/IP, H2760B/BP, H28x0B/BP, H7x6xB/BP/BPX, installation drawings



H226x-1B/BP/E/EP/I/IP, H2x6xB/BP, H7x6xB/BP/BPX, installation drawings

If the oven is to be installed under a hob, follow the instructions for installing the hob and the height of the hob.



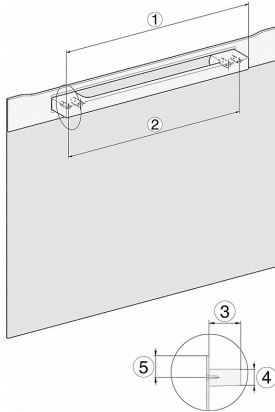
H2x6x-1B/BP/E/EP/I/IP, H2850BP, H7x6xB/BP/BPX, H2x6xB, installation drawings

- 1) Mains connection cable, L=2000 mm
- 2) No Connection in this area
- 3) Lüftungsausschnitt min. 150 cm<sup>2</sup>

H 7464 BP

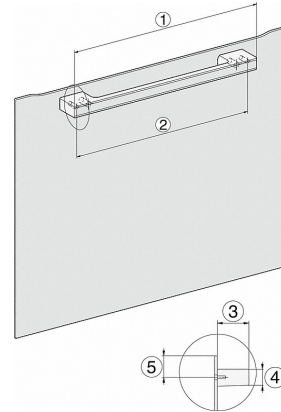
Oven

seamless design with food probe and LED lighting.



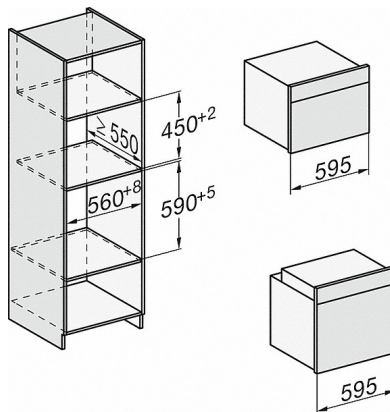
DG2840, DG7x40, DGC7x4x, DG7x6x, DGC7x6x, DGD7635, DGM7x4x, DO7, H28B/BP, H7x4xB/BM/BP, H7x6xB/BP, installation drawing

- 1) 400 mm
- 2) 360 mm
- 3) 47 mm
- 4) 24 mm
- 5) 31,8 mm



DG7x40, DGC7x4x, DGC7x6x, DG7635, DGM7x4x, DO7, H2860B/BP, H240BM, H7x40BM, H7x4xB/BP, H7x6xB/BP, installation drawings

- 1) 400 mm
- 2) 360 mm
- 3) 47 mm
- 4) 27 mm
- 5) 32,5 mm



H226x-1B/BP/E/EP/IP, H2760B/BP, H28x0B/BP, H7x40BM/BMX, H7x6xB/BP/BPX, installation drawings