

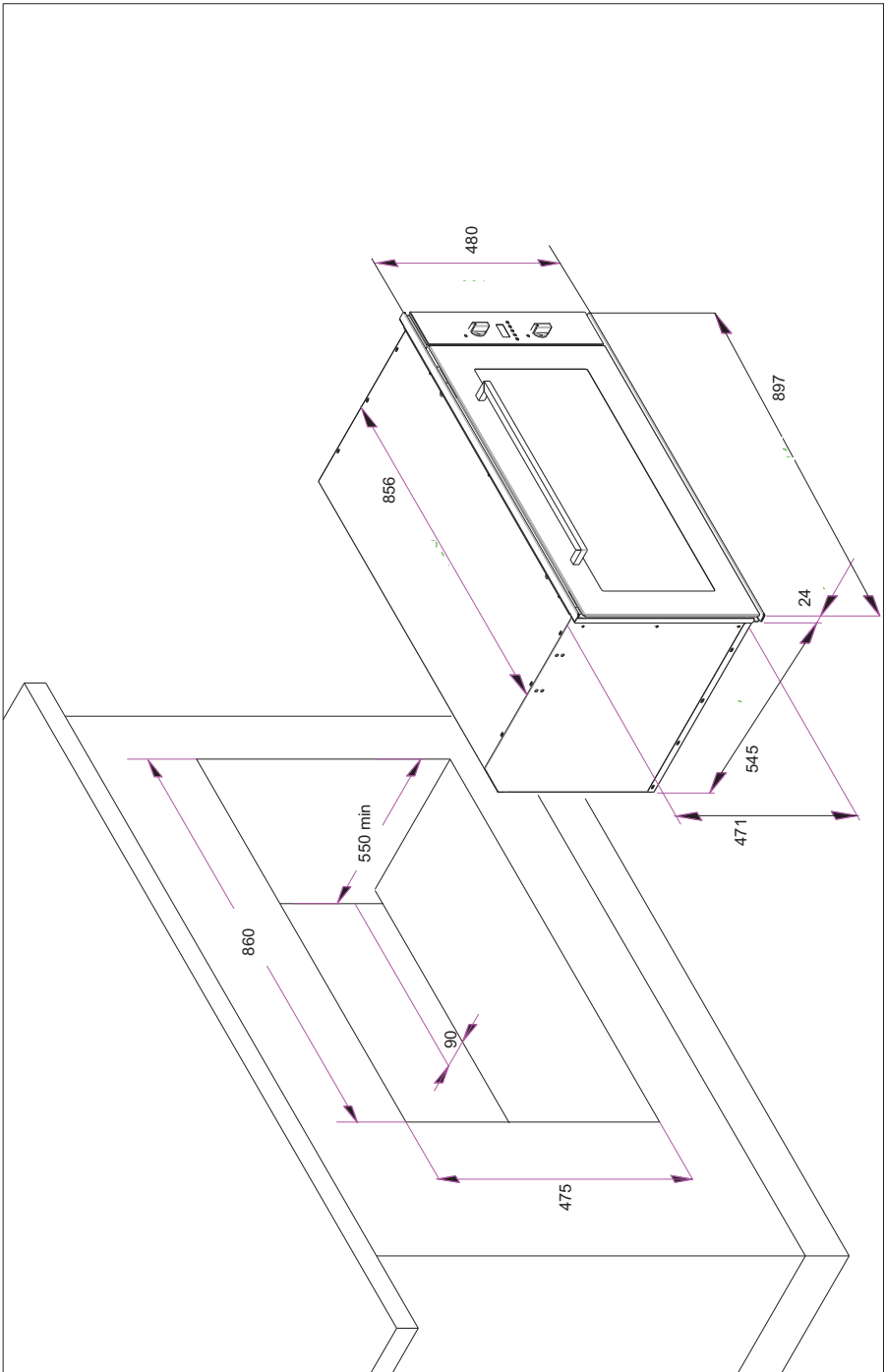


***ISTRUZIONI D'USO E MANUTENZIONE
PER FORNI AD INCASSO***

***USE AND MAINTENANCE
INSTRUCTIONS FOR BUILT-IN OVENS***

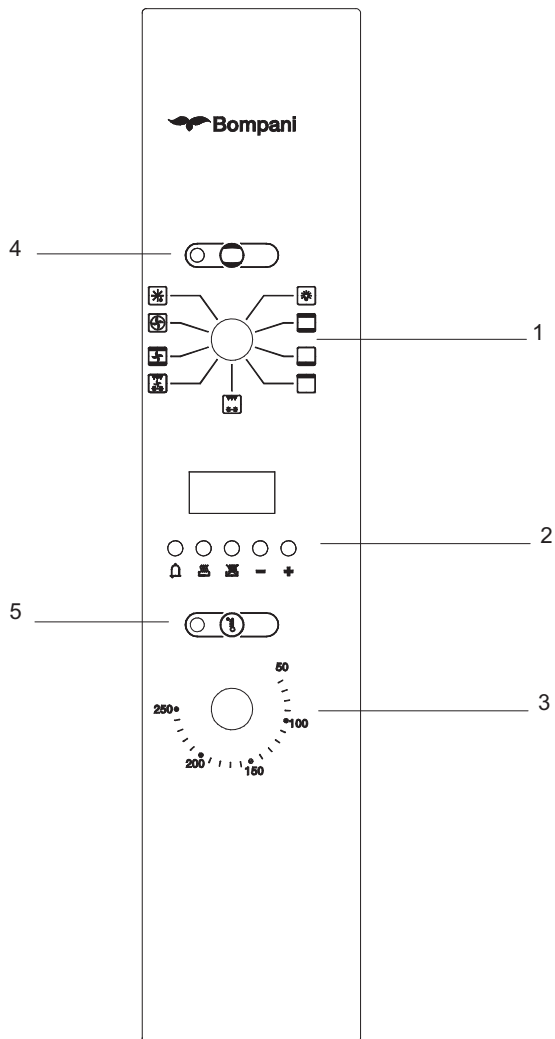
***INSTRUCCIONES DE USO Y MANTENIMIENTO
PARA HORNOS EMPOTRADOS***

***INSTRUÇÕES DE USO E MANUTENÇÃO
PARA FORNOS DE ENCASTRAR***





EN	The symbol on the product or on its packaging indicates that this product may not be treated as household waste. Instead it shall be handed over to the applicable collection point for the recycling of electrical and electronic equipment. By ensuring this product is disposed of correctly, you will help prevent potential negative consequences for the environment and human health, which could otherwise be caused by inappropriate waste handling of this product. For more detailed information about recycling of this product, please contact your local city office, your household waste disposal service or the shop where you purchased the product.
DE	Dieses Produkt darf am Ende seiner Lebensdauer nicht über den normalen Haushaltsabfall entsorgt werden, sondern muss an einem Sammelpunkt für das Recycling von elektrischen und elektronischen Geräten abgegeben werden. Das Symbol auf dem Produkt, der Gebrauchsanleitung oder der Verpackung weist darauf hin. Die Werkstoffe sind gemäß ihrer Kennzeichnung wiederverwertbar. Mit der Wiederverwendung, der stofflichen Verwertung oder anderen Formen der Verwertung von Altgeräten leisten Sie einen wichtigen Beitrag zum Schutz unserer Umwelt. Bitte erfragen Sie bei der Gemeindeverwaltung die zuständige Entsorgungsstelle.
IT	Il simbolo sul prodotto o sulla confezione indica che il prodotto non deve essere considerato come un normale rifiuto domestico, ma deve essere portato nel punto di raccolta appropriato per il riciclaggio di apparecchiature elettriche ed elettroniche. Provvedendo a smaltire questo prodotto in modo appropriato, si contribuisce a evitare potenziali conseguenze negative per l'ambiente e per la salute, che potrebbero derivare da uno smaltimento inadeguato del prodotto. Per informazioni più dettagliate sul riciclaggio di questo prodotto, contattare l'ufficio comunale, il servizio locale di smaltimento rifiuti o il negozio in cui è stato acquistato il prodotto.
FR	Ce symbole figure sur le produit ou sur son emballage en application de la directive européenne 2002/96/CE sur les Déchets d'Équipement Électrique et Électronique (DEEE). Cette directive sert de règlement cadre à la reprise, au recyclage et à la valorisation des appareils usagés dans toute l'Europe. Ce produit doit donc faire l'objet d'une collecte sélective. Lorsque vous ne l'utiliserez plus, remettez-le à un service de ramassage spécialisés ou à une déchèterie qui traite les DEEE : vous contribuerez ainsi à éviter des conséquences néfastes pour la santé et l'environnement. Pour tout renseignement sur la mise au rebut et le recyclage de ce produit, veuillez contacter la mairie ou le service de la propreté de votre commune, ou encore le magasin dans lequel vous l'avez acheté.
ES	Este aparato lleva el marcado CE en conformidad con la Directiva 2002/96/EC del Parlamento Europeo y del Consejo sobre residuos de aparatos eléctricos y electrónicos (RAEE). La correcta eliminación de este producto evita consecuencias negativas para el medioambiente y la salud. El símbolo en el producto o en los documentos que se incluyen con el producto, indica que no se puede tratar como residuo doméstico. Es necesario entregarlo en un punto de recogida para reciclar aparatos eléctricos y electrónicos. Deséchelo con arreglo a las normas medioambientales para eliminación de residuos. Para obtener información más detallada sobre el tratamiento, recuperación y reciclaje de este producto, póngase en contacto con el ayuntamiento, con el servicio de eliminación de residuos urbanos o la tienda donde adquirió el producto.
PT	O símbolo no produto ou na embalagem indica que este produto não pode ser tratado como lixo doméstico. Em vez disso, deve ser entregue ao centro de recolha selectiva para a reciclagem de equipamento eléctrico e electrónico. Ao garantir uma eliminação adequada deste produto, irá ajudar a evitar eventuais consequências negativas para o meio ambiente e para a saúde pública, que, de outra forma, poderiam ser provocadas por um tratamento incorrecto do produto. Para obter informações mais pormenorizadas sobre a reciclagem deste produto, contacte os serviços municipalizados locais, o centro de recolha selectiva da sua área de residência ou o estabelecimento onde adquiriu o produto.
NL	Het symbool op het product of op de verpakking wijst erop dat dit product niet als huishoudafval mag worden behandeld. Het moet echter naar een plaats worden gebracht waar elektrische en elektronische apparatuur wordt gerecycled. Als u ervoor zorgt dat dit product op de correcte manier wordt verwijderd, voorkomt u mogelijk voor mens en milieu negatieve gevolgen die zich zouden kunnen voordoen in geval van verkeerde afvalbehandeling. Voor meer details in verband met het recyclen van dit product, neemt u het best contact op met de gemeentelijke instanties, het bedrijf of de dienst belast met de verwijdering van huishoudafval of de winkel waar u het product hebt gekocht.
RO	Simbolul de pe produs sau de pe ambalaj indica faptul ca produsul nu trebuie aruncat impreuna cu gunoii menajeri. Trebuie predat la punctul de colectare corespunzator pentru reciclarea echipamentelor electrice si electronice. Asigurandu-va ca ati eliminat in mod corect produsul, ajutati la evitarea potentialelor consecinte negative pentru mediul inconjurator si pentru sanatatea persoanelor, consecinte care ar putea deriva din aruncarea necorespunzatoare a acestui produs. Pentru mai multe informatii detaliate despre reciclarea acestui produs, va rugam sa contactati biroul local, serviciul pentru eliminarea deseurilor sau magazinul de la care l-ati achizitionat.
SLO	Simbol na izdelku ali njegovi embalaži označuje, da z izdelkom ni dovoljeno ravnati kot z običajnimi gospodinjstskimi odpadki. Izdelek odpeljite na ustrezno zbirno mesto za predelavo elektricne in elektronske opreme. S pravičnim načinom odstranjevanja izdelka boste pomagali preprečiti morebitne negativne posledice in vplive na okolje in zdravje ljudi, ki bi se lahko pojavile v primeru nepravilnega odstranjevanja izdelka. Za podrobnejše informacije o odstranjevanju in predelavi izdelka se obrnite na pristojen mestni organ za odstranjevanje odpadkov, komunalno službo ali na trgovino, v kateri ste izdelek kupili.
PL	Symbol na produkcie lub na opakowaniu oznacza, że tego produktu nie wolno traktować tak, jak innych odpadów domowych. Należy oddać go do właściwego punktu skupu surowców wtórnych zajmującego się złomowanym sprzętem elektrycznym i elektronicznym. Właściwa utylizacja i złomowanie pomaga w eliminacji niekorzystnego wpływu złomowanych produktów na środowisko naturalne oraz zdrowie. Aby uzyskać szczegółowe dane dotyczące możliwości recyklingu niniejszego urządzenia, należy skontaktować się z lokalnym urzędem miasta, służbami oczyszczania miasta lub sklepem, w którym produkt został zakupiony.
SK	Symbol na výrobku alebo na jeho obale znamená, že s výrobkom sa nesmie zaobchádzať ako s domovým odpadom. Namiesto toho ho treba odovzdať v zbernom stredisku na recykláciu elektrických alebo elektronických zariadení. Zabezpečte, že tento výrobok bude zlikvidovaný správnym postupom, aby ste predišli negatívnym vplyvom na životné prostredie a ľudské zdravie, čo by bolo spôsobené nesprávnym postupom pri jeho likvidácii. Podrobnejšie informácie o recyklácii tohto výrobku získate, ak zavoláte miestny úrad vo Vašom bydlisku, zberné suroviny alebo obchod, v ktorom ste výrobok kúpili.
CZ	Symbol na výrobku nebo jeho balení udává, že tento výrobek nepatří do domácího odpadu. Je nutné odvézt ho do sberného místa pro recyklaci elektrického a elektronického zařízení. Zajištěním správné likvidace tohoto výrobku pomůžete zabránit negativním důsledkům pro životní prostředí a lidské zdraví, které by jinak byly způsobeny nevhodnou likvidací tohoto výrobku. Podrobnější informace o recyklaci tohoto výrobku zjistíte u příslušného místního úřadu, služby pro likvidaci domovního odpadu nebo v obchode, kde jste výrobek zakoupili.
SV	Symbolen på produkten eller emballaget anger att produkten inte får hanteras som hushållsavfall. Den skall i stället lämnas in på uppsamlingsplats för återvinning av el- och elektronikkomponenter. Genom att säkerställa att produkten hanteras på rätt sätt bidrar du till att förebygga eventuellt negativa miljö- och hälsoeffekter som kan uppstå om produkten kasseras som vanligt avfall. För ytterligare upplysningar om återvinning bör du kontakta lokala myndigheter eller sophämningsjänst eller affären där du köpte varan.
NO	Symbolen på produktet eller på emballagen viser at dette produktet ikke må behandles som husholdningsavfall. Det skal derimot bringes til et mottak for resirkulering av elektrisk og elektronisk utstyr. Ved å sørge for korrekt avhending av apparatet, vil du bidra til å forebygge de negative konsekvenser for miljø og helse som gal håndtering kan medføre. For nærmere informasjon om resirkulering av dette produktet, vennligst kontakt kommunen, renovasjonsselskapet eller forretningen der du anskaffet det.



1. *Selettore funzioni / function selector / selector de funciones / selector de funções*
2. *Programmatore elettronico / electronic programmer / programador electrónico*
3. *Termostato / thermostat / termóstato*
4. *Luce spia verde / power supply green light / luz verde*
5. *Luce spia gialla / thermostat yellow light / luz amarilla / luz amarela*

TABLE OF CONTENTS

EC declaration of conformity

General warnings

Technical specifications

Installation instructions

Oven functions

Using the grill and the turnspit

Electronic programmer

Removing and cleaning the oven door

Removing the door glass

Replacing the oven bulb

Cleaning and maintenance

DECLARATION OF CE COMPLIANCE

This appliance is in compliance with the following European Directives:

93/68 : General regulations

2006/95/CE : Concerning low tensions

2004/108/CEE : Electromagnetic compatibility

CE Regulation n° 1935/2004:

this appliance is suitable to come in contact with food products.

GENERAL WARNINGS

This manual is an integral part of the appliance.

It is necessary to keep it for the life cycle of the oven and to read it carefully for the installation, use, maintenance, cleaning and handling of the appliance.

Unplug the appliance before undertaking any sort of intervention on it.

Attention: earth connection is required by law.

Packaging materials (sheets, polystyrene) may be hazardous to children (danger of suffocation). Keep packaging materials out of the reach of children.

This appliance is not intended for use by persons (including children) with reduced physical, sensory or mental capabilities, or lack of experience and knowledge, unless they have been given supervision or instruction concerning use of the appliance by a person responsible for their safety.

Children should be supervised to ensure that they do not play with the appliance.

Heat forms during cooking and the appliance door, especially if made in glass, can become very hot. To prevent burns, do not touch the door and keep children away.

This appliance was designed for home use only.

The manufacturer will not be held liable for any damage to persons or property caused by improper installation, or by improper, wrong or senseless use.

The manufacturer reserves the right to make any changes to the product which are felt to be useful or necessary without any advance notice.

Do not carry out any modifications, tampering or repair attempts, especially with tools such as screwdrivers on the inside or outside of the appliance.

Repair work, especially on the electrical parts, must be performed only by specialized personnel.

Improper repair work can cause serious accidents, damage the appliance and equipment as well as impair proper operation.

In case of a failure in operation or an indispensable repair job, ask for the intervention of the customer technical service centre.

If the appliance shows visible signs of damage, do not use it; unplug it and contact the assistance service.

The oven must be unplugged as soon as an operating problem is discovered.

Make sure the power cord of the appliance is not crushed by the oven door as this may damage the electrical insulation.

If the power cord has been damaged, it must be replaced by the technical service centre in order to avoid the creation of hazardous situations.

Before closing the oven door, make sure there are no foreign bodies or pets inside the oven.

The oven gets extremely hot during operation and remains hot for a long time, even after it has been turned off, then cools down very slowly until reaching room temperature. Wait for a suitable period of time before carrying out any work such as cleaning.

Do not place heat-sensitive or flammable materials in the oven such as detergents, oven sprays, and so on. Superheated grease and oil may easily catch fire.

The rack, the plates and the cooking containers become extremely hot.

Use insulated glove or pot holders.

Never use water in an attempt to extinguish burning grease or oil (there is the danger of explosion). Suffocate the fire with wet cloths.

When using and maintaining the oven, be careful not to get fingers caught in the door hinges to avoid crushing or other injuries. This is specially important when children are around.

Never clean the appliance with high pressure water or steam cleaning equipment.

Do not use the appliance to heat the room.

If the door is open there is the hazard of tripping or crushing the fingers; leave the door open only in an ajar position.

Do not sit or lean on the door and do not use it as a work surface.

For maintenance, moving, installation and cleaning of the appliance use suitable prevention and protection equipment (gloves, etc.).

Lifting and moving of appliances weighing more than 25 kg must be carried out using proper equipment, or by two persons, in order to avoid risks or injuries.

TECHNICAL SPECIFICATIONS

Dimensions:

Height: 480mm
Width: 897mm
Depth: 569mm

Voltage regulations: 220-240V~ 50/60Hz

Electrical connection:

Make sure that the voltage supply is the same as what is on the rating plate which can be found on the right side of the oven face.

The oven must be connected at the back using a cable with minimum section of 1.5mm providing an omnipolar switch in compliance with current regulations with a contact opening distance of at least 3mm.

Warning:

Connect the wires in accordance with the following colours/codes:

BLUE	- NEUTRAL (N)
BROWN	- LIVE (L)
YELLOW-GREEN	- EARTH (\perp)

INSTALLATION

To ensure the built-in appliance works correctly, the unit must correspond to certain characteristics.

The panels of the units near the oven must be made of heat-resistant material.

Regarding veneered wooden furniture, the glues must withstand temperatures of up to 100°C: plastic or binders that cannot withstand this temperature will deform or come unstuck.

In compliance with safety regulations, once the appliance is built in, contact with electrical components must no longer be possible.

All protective coverings must be fixed so they cannot be removed without the aid of a tool.

The oven can be used below the worktop or in a column unit by means of 4 screws.

Please see the drawing at the beginning of the present booklet.

When placing the appliance in the housing unit, do not use the oven door as a lever for lifting the oven.

COOKING FUNCTIONS



Light

The separate Light function will illuminate the oven cavity.



Traditional cooking

By turning the thermostat knob, a desired temperature can be selected. The yellow light will go off when the oven has reached the desired temperature.

It is recommended that the oven is pre-heated before introducing the food. This method of cooking provides traditional cooking with heat from the top and lower elements. Particularly suitable for traditional roasting and baking on the centre shelf only.



Lower heating element

Select the desired temperature.

Suitable for very slow cooking and warming up of food.



Top heating element

Select the thermostat temperature.

Suitable for keeping cooked food warm or gently reheating.



Grilling and turnspit

By turning the thermostat knob, a desired temperature can be selected, keeping the door closed.

Recommended use: for grilling smaller items of food.



Grilling with fan and turnspit

The thermostat has to be set at the desired temperature.

The fan and the grill element allow a fast and deep cooking for particular food. It is recommended that the oven be pre-heated for a few minutes.



Traditional cooking with fan

By turning the thermostat knob, a desired temperature can be selected, keeping the door closed. This cooking mode integrates natural convection and ventilation.

Cooking mode suited to bake bread, pizzas and lasagne.

It is recommended that the oven be pre-heated.



Fan cooking

This method of cooking uses the circular element located around the fan while the heat is distributed, resulting in a faster, more efficient operation.

cooking with the fan on allows different kinds of food to be cooked in the same time on different shelves, preventing the transmission of smells and tastes from one dish onto another.



Defrosting

The fan motor comes on, but there is no heat.

The oven door should be kept in the close position.

Recommended use: for defrosting frozen foods in general, this will help cut down the defrosting time by about one third of the normal time.

HOW TO USE THE GRILL

Lay the food in the wire shelf or in a tray in case of small pieces.

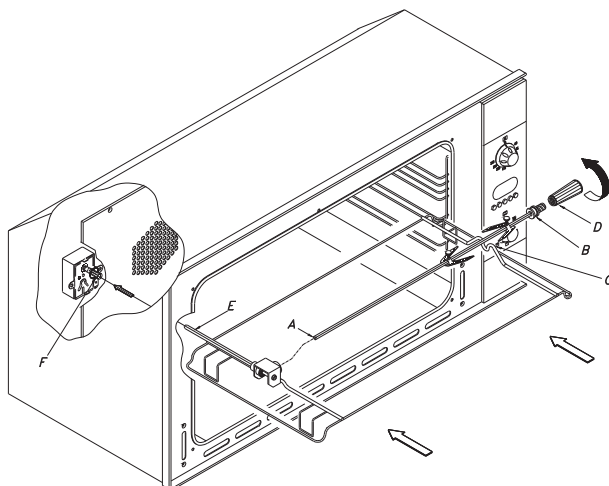
The rack must be positioned in the highest runner possible and the grease drip pan in the runner below. Close the door and turn on the element as follows:

Dishes for grilling	Cooking times in minutes	
	Top side	Under side
Slices of thin meat	6	4
Slices of meat of medium thickness	8	5
Slices of thin descaled fish	10	8
Fish (e.g. trout, salmon)	15	12
Sausages	12	10
Toast	5	2

USING THE SPIT

Insert the spit rod "A" into the drive unit and the groove "B" into the bend "C". Turn the plastic handle "D" anticlockwise and slide the rack into the oven runners ensuring that the rod "E" slots into the hole "F".

The spit rack must always be fitted in the middle of the oven.



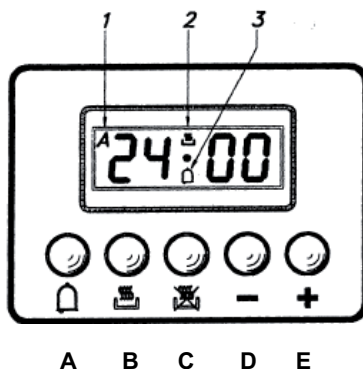
ELECTRONIC PROGRAMMER

Keys:

- A. Timer
- B. Cooking time with automatic function
- C. End of cooking time
- D. Move back numbers in all programs
- E. Move ahead numbers in all programs

Icons:

- 1. Automatic program
- 2. Duration and manual mode
- 3. Minute control



Settings

Once having touched a function key, the required time can be set with the +/- keys. For quicker regulation, keep the + or - key touched. By touching the function key and then releasing it, the function selected before appears on the display and remains for 5 seconds: during this time the setting can be performed (with one hand). 5 seconds after releasing the function key or finishing the setting, the display returns to the clock. Any program set will start immediately. Program selection is accompanied by the sounding of a buzzer.

Setting the time (clock)

Select the clock function by simultaneously touching the **B.** and **C.** keys and adjust the clock by means of the +/- keys. Any previously set program will be deleted.

Manual operation

Simultaneously touch the **B.** and **C.** keys (the auto symbol will be deleted): the pot symbol will light up. Any previously set program will be deleted.

Semi-automatic operation and cooking duration

Touch the **B.** key and set the duration by means of the +/- keys. The pot symbol will appear. If clock = end of cooking time, the pot symbol will be off. The buzzer will sound and symbol A will blink.

Semi-automatic operation and end of cooking time

Touch the **C.** key and set the required time by means of the +/- keys. The symbol A and the symbol of the pot will light up. If clock = end of cooking time, the relay and pot symbol will switch off. The buzzer will sound and the symbol A will blink.

Completely automatic operation

Touch the duration key and set the required time by means of the +/- keys.

The symbols A and pot will appear.

Select the **C.** key: the minimum setting time will appear. Set the required time by means of the +/- keys. The pot symbol will switch off.

The pot symbol will re-appear when the clock time = the calculated switch-on time.

After setting the automatic program the symbol A will blink.

The buzzer will sound and the pot symbol and relay will switch off.

Minute minder

touch the **A.** key and set the required time by means of the +/- keys.

While the set time runs, the bell symbol will appear.

When the set time elapses, the buzzer will sound.

Buzzer

The buzzer remains active for 7 minutes after the minute control cycle or the cooking program have finished. Touch any function key to stop the buzzer.

Program start-up and check

A set program is run when the required time has also been set. The remaining time can be checked at any moment by touching the respective key.

Setting error

The setting is not correct if the clock time is between the beginning of cooking time and the end of cooking time.

The error is indicated via sounding of a buzzer and blinking of the Auto symbol.

An incorrect setting can be corrected by re-setting either the beginning or end of cooking time.

Deleting a program

A program can be deleted by selecting the manual function.

A set program is automatically deleted when it reaches the end of its cycle.

REMOVING THE OVEN DOOR - Pic. 1

To make it easier to clean the oven, the door may be removed.

The hinges A are fitted with 2 mobile U-bolts B which block the door when it is completely open if they are hooked onto sections C of the hinges.

After this has been done, the door must be lifted up and taken out.

When carrying out this operation, hold the sides of the oven door beside the hinges.

To refit the door first slide the hinges into their grooves.

Lastly, before closing the door do not forget to detach the 2 mobile U-bolts B which were used to hook the 2 hinges.

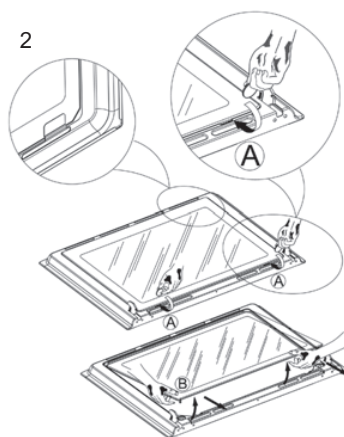
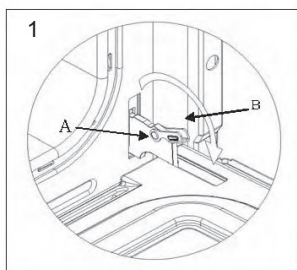
Note: Clean the oven door using non-abrasive products.

REMOVING THE OVEN DOOR INNER GLASS PANEL - Pic. 2

Do not use any abrasive medium that could cause damage. Remember that if the surface of the glass panel becomes scratched, this could lead to a dangerous failure. To remove the oven door inner glass panel, use a coin to perform a levering action in the two grooves (A) until the two pins (B) are released from their housing. Then raise the door slide as shown and take it out from the top.

To refit the door, repeat the two previous operations in reverse.

Reinsert the glass by resting it on the inner door and pushing it in. Press on the glass until the pins slot back into their original position.



REPLACING THE BULB - Pic. 3

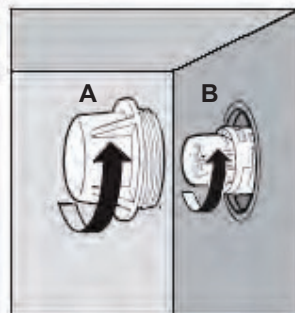
Caution: disconnect the oven power supply cable.

If you have to replace the bulb B, remove the protective cover A by turning it counterclockwise.

Once having replaced the bulb, refit the protective cover A.

Note: use only 25 W, E-14 type, T 300°C bulbs.

The lamp used in this appliance is a 'special purpose lamp' intended only for the usage with this appliance; it is not intended for household room illumination.



CLEANING AND MAINTENANCE

Important: before carrying out maintenance on the oven, it must always be unplugged from the power supply or disconnected from the mains via the electrical system master switch.

Wait the appliance to cool down before proceeding with any cleaning operation.

Do not use abrasives, bleach or coarse cleaning material.

Never clean the appliance with high pressure water or steam cleaning equipment.

Do not use harsh abrasive cleaners or sharp metal scrapers to clean the oven door glass since they can scratch the surface, which may result in shattering of the glass. Wipe the inside of the oven by using a damp cloth with a diluted ammonia product; rinse and dry the oven carefully.

When cleaning the lower part of the oven, you are advised to remove any stains while the oven is still warm, but not hot – the longer you wait, the more difficult it will be to remove them.

For external parts cleaning, use a soft cloth and soapy water, rinse and dry carefully.

Warning: before proceeding with any operation as above, please use suitable prevention and protection equipment (gloves, etc.).

