



**BOP221112**  
**Oven 200 series**  
**Full glass door in Gaggenau Metallic**  
**Width 60 cm**  
**Left-hinged**



Flush installation  
 Pyrolytic system  
 9 heating methods, with baking stone function  
 TFT touch display  
 Panel-free appliance with surface control module  
 Electronic temperature control from 50 °C to 300 °C  
 Net volume 76 litres

#### Heating methods

Hot air.  
 Eco hot air. Top + bottom heat. Top heat. Bottom heat. Hot air + bottom heat. Full surface grill + circulated air. Full surface grill. Baking stone function.

#### Handling

Rotary knob and TFT touch display operation.  
 Clear text display.  
 Option to save individual recipes.  
 Information key with use indicators.  
 Side-opening door opens up to 110° angle.

#### Features

Baking stone socket.  
 Actual temperature display.  
 Rapid heating.  
 Timer functions: cooking time, cooking time end, timer, stopwatch, long-term timer (certified by Star-K).  
 60 W halogen light on the top.  
 Enamelled side shelf supports with 4 tray levels, pyrolysis-safe.

#### Selected digital services (Home Connect)

Remote control and monitoring.  
 Recipes.  
 Home network integration for digital services (Home Connect) either via cable connection LAN (recommended) or wireless via WiFi.  
 The use of the Home Connect functionality depends on the Home Connect services, which are not available in every country. For further information please check: [home-connect.com](http://home-connect.com).

#### Safety

Thermally insulated door with quintuple glazing.  
 Child lock.  
 Safety shut-off.  
 Cooled housing with temperature protection.

#### Cleaning

Pyrolytic system.  
 Gaggenau enamel.  
 Heated catalyser to clean the oven air.

#### Planning notes

Door hinge not reversible.  
 The door panel surface of the appliance extends 21 mm from the furniture cavity.  
 The outer edge of the door handle extends 72 mm from the furniture cavity.  
 Necessary lateral gap between appliance door and furniture panel of min. 5 mm.  
 Consider the overhang, incl. the door handle, when planning to open drawers next to the appliance.  
 When planning a corner solution, pay attention to the side-opening door and the minimum required distance to the wall.

#### Characteristics

**Gross weight**  
58.9

**Color / Material Front**  
Built-in / Free-standing  
Built-in

**Integrated Cleaning system**  
Pyrolytic

**Min. required niche size for installation (HxWxD)**  
590-590 x 560-560 x 550

**Dimensions**  
595 x 590 x 547

**Dimensions of the packed product (HxWxD)**  
770 x 710 x 660

**Control Panel Material**  
without panel

**Door Material**  
Glass

**Net weight**  
54.6

**Usable volume of cavity**  
76

**Cooking method**  
Baking stone function, Bottom heat, Full width grill, Hot Air, Hot Air-Eco, Hot air grilling, Top/bottom heat, Top heat

**First cavity material**

**Number of interior lights**  
1

**Length electrical supply cord**  
Interior Lights - cavity 1  
1

**Pull-out system**  
Accessory

**Clock function**  
Alarm, Off, On, timer

**Included accessories**  
1 x enamel baking tray, suit. pyrolytic clean, 1 x glass pan, 1 x grill shelf

**Bake Element Wattages cavity 1**

**Broil Element Wattages cavity 1**  
3000

**Convection Element Wattages cavity 1**  
2100

**Microwave wattage cavity 1**

**Drawer wattage**

**Energy efficiency rating**  
A

**Energy consumption per cycle conventional - NEW (2010/30/EC)**  
1.25

**Energy consumption gas oven per cycle conventional - NEW (2010/30/EC)**

**Energy consumption per cycle forced air convection - NEW (2010/30/EC)**  
0.83

**Energy consumption gas oven per cycle forced air convection - NEW (2010/30/EC)**

**Energy efficiency index (2010/30/EC)**  
95.4

**Connection rating**  
3700

**Fuse protection**  
16

**Voltage**  
220-240

**Frequency**

**Plug type**  
fixed connection, no plug

**Connecting cable type**

**Universal Product Code**

**Color / Material Front**

**Alternative colors available**  
BOP221102, BOP221132

**Energy input**  
Electric

**Length of electrical supply cord (in)**

**Required cutout/niche size for installation (in)**  
x

**Dimensions of the packed product**  
30.31 x 25.98 x 27.95

**Net weight**  
120.000

**Gross weight**  
130.000

**Length electrical supply cord**

**Net weight**  
54.6

For installation underneath cooktops: Distance between the underside of the cooktop and the top edge of the oven cavity: min. 15 mm. The planning notes for the cooktops (particularly regarding ventilation, gas/electric connection) must be taken into account.

To achieve the 550 mm installation depth, the connection cable needs to follow the slanted edge on the corner of the housing.

The mains socket needs to be planned outside the built-in niche.

The LAN port can be found at the back on the upper right side.

#### Connection

Energy efficiency class A at a range of energy efficiency classes from A+++ to D.

Total connected load 3.7 KW.

Plan a connection cable.

Power consumption standby/display on 0.7 W.

Power consumption standby/display off 0.5 W.

Power consumption standby/network 1.4 W.

Time auto-standby/display on 20 min.

Time auto-standby/display off 20 min.

Time auto-standby/network 20 min.

Plan a LAN cable.

#### Color Variants

**BOP221112**  
**Full glass door in Gaggenau Metallic**  
**Width 60 cm**

**BOP221102**  
**Full glass door in Gaggenau Anthracite**  
**Width 60 cm**

**BOP221132**  
**Full glass door in Gaggenau Silver**  
**Width 60 cm**

#### Included accessories

1 x enamel baking tray, suit. pyrolytic clean.  
 1 x glass pan.  
 1 x grill shelf.  
 1 x enamel baking tray, suit. pyrolytic clean.  
 1 x glass pan.  
 1 x grill shelf.  
 1 x enamel baking tray, suit. pyrolytic clean.  
 1 x glass pan.  
 1 x grill shelf.

#### Optional accessories

**BA016105**  
**Pull-out system**

**BA026115**  
**Baking tray, enamelled**

**BA036105**  
**Wire rack, chromium-plated.**

**BA046117**  
**Glass tray**

**BA056115**  
**Heating element for baking stone and Gastronorm roaster.**

**BA056133**  
**Baking stone.**

**BA226105**  
**Grill tray, enamelled**

**BS020002**  
**Pizza paddle, set of 2.**

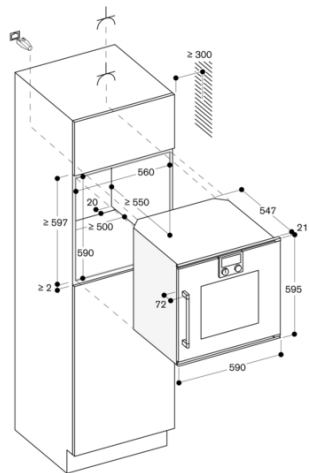
**GN340230**  
**Gastronorm roaster in cast aluminium.**

#### Product Variants

**BOP220112**  
**Oven 200 series**  
**Full glass door in Gaggenau Metallic**  
**Width 60 cm**  
**Right-hinged**

# GAGGENAU

BOP221112  
Oven 200 series  
Full glass door in Gaggenau Metallic  
Width 60 cm  
Left-hinged  
2023-06-22  
Page 2



measurements in mm