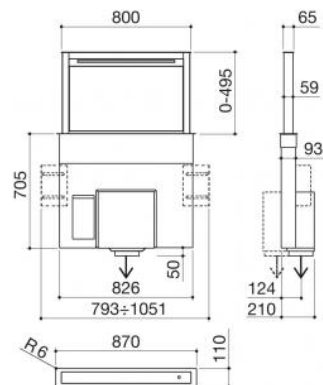


B_Draft downdraft cooker hood for 90 module



- AISI 304 stainless steel
- optional filter extraction
- speeds: 3 + intensive speed
- air-flow: 1000 m³/h
- pressure 500 Pa
- noise level 49-70 Lw(dBA)
- duct exit: ø 150 mm + reducer ø 120 mm
- lighting: LED bar 3000 K



- panel
- stainless steel filters
- functions: filter maintenance indicator
- remote control provided

- Soft-Touch push-button

- energy rating C

- maximum absorbed power: 0.3 kW
- 85.8x10 cm cut-out - flush: see technical sheet

Codici:

STAINLESS STEEL

cod: 1KBDD9

Accessori:

Doppio filtro carbone

cod: 1FC1

Plus:



1000 mc/h engine



AISI 304 Stainless Steel Filters



Led lighting



3 Speeds + Intensive



Filter saturation indicator



Remote control provided