



DF270101
Dishwasher 200 series
Fully integrated
Height 81.5 cm



Optimal protection for sensitive glassware by low temperature drying with zeolite, elaborated basket design and intelligent water softening
 6 programmes with aqua sensor and 3 options, such as Power for cleaning and drying dishes from 57 minutes and Intensive for particularly thorough cleaning in the lower basket
 Flexible basket system with smooth running rails on all levels
 Bright interior lighting
 Push-to-open function for perfect integration into handleless furniture fronts
 Remaining time projection onto the kitchen floor
 Very quiet: 43 dB

Handling
 TFT display indicating remaining or end time, refill for salt and rinsing agent, inflow of water.
 Touch key operation.
 Flexible cycle time reduction, even during an active cycle.
 Drying assistant for optional door opening at the end of the programme (only available with active Home Connect functionality).
 Personalisation function for storing individual combinations of programmes.
 Information key with use indicators.
 Time delay up to 24 hours.
 Visual and acoustic end of programme indicator.
 Remaining time projection.

Technical features
 Bright interior lighting.
 Glass protection with zeolite.
 Aqua sensor.
 Load sensor.
 Detergent recognition.
 Regeneration electronics.
 Heat exchanger.
 Continuous flow heater.
 Triple filter system.
 Soft lock.
 Aqua stop.

Selected digital services (Home Connect)
 Programme assistant.
 Temporary noise reduction.
 Drying assistant for optional door opening at the end of the programme.
 Downloadable programmes.
 Home network integration for digital services (Home Connect) wireless via WiFi.
 The use of the Home Connect functionality depends on the Home Connect services, which are not available in every country. For further information please check: home-connect.com.

Programmes
 6 programmes:
 Auto 35 °C - 45 °C. Auto 45 °C - 65 °C. Auto 65 °C - 75 °C. Eco 50 °C. Quick wash 45 °C (35 min.). Personalisation function (default setting: Pre-rinse).
 3 options:
 Intensive. Power. Half Load. Machine Care.

Interior
 Flexible basket system with smooth running rails on all levels.
 Upper basket:

Characteristics
Energy Efficiency Class (Regulation (EU) 2017/1369)
 B
Energy Consumption for 100 cycles Eco Programme (EU 2017/1369)
 63
Maximum number of place settings (EU 2017/1369)
 12
The water consumption of the eco programme in liters per cycle (EU 2017/1369)
 9.5
Programme duration (EU 2017/1369)
 4:55
Airborne acoustical noise emissions (EU 2017/1369)
 43
Airborne acoustical noise emission class (EU 2017/1369)
 B
Energy efficiency class
 A
Cleaning performance
 A
Water consumption
 9.5
Total annual energy consumption
Estimated annual consumption (220 standard cycles) energy
Total annual water consumption 220 days
 2090
Built-in / Free-standing
 Built-in
Removable top
 No
Door panel options
 Not possible
Height with worktop
 0
Height of the product
 815
Adjustable feet
 Yes - all from front
Maximum adjustability feet
 60
Adjustable plinth
Net weight
 45.1
Gross weight
 47.0
Connection rating
 2400
Fuse protection
 10
Voltage
 220-240
Frequency
 50; 60
Length electrical supply cord
 175
Plug type
 Gardy plug w/ earthing
Length inlet hose
 165
Length outlet hose
 190
Hidden heating element
 Yes
Water protection system description
 Triple water protection 24h
Child safety devices
Water softener
 Yes
Top basket type
 R4
Adjustable upper basket
 Rackmatic 3-stage
Bottom basket type
 R4
3rd Rack
 retrofit
Optional accessories
 DA041160, DA042030, DA043000
Included accessories 2
 baking-sheet spray head grey, s/s decorative strips, vapor barrier plate
Number of place settings
 12
Color / Material panel
 Grey
Color / Material body

Lower basket:
 8 folding spines. 2 folding racks for optimal protection of glass. Dividable glass support.
 Cutlery basket.
 Maximum dish sizes (upper/lower basket)
 27/25, 24.5/27.5 or 22/31 cm respectively.
 12 place setting capacity.
 Maximum glass loading capacity 23 wine glasses.

Consumption data
 Energy efficiency class B at a range of energy efficiency classes from A to G. From 9.5 l water.
 From 0.626 kWh.
 Noise level 43 dB (re 1 pW).

Planning notes
 Height-adjustable feet.
 Appliance plinth recess 100 mm (see drawing).
 To display the remaining time projection, a minimum plinth protrusion is required (40 mm + thickness of the furniture front).
 The maximum plinth height must be reduced by 30 mm to provide an optimal display of the remaining time projection.
 Rear feet adjustable at front.
 Door weight up to 8.5 kg.
 Door panel dimension dependent on plinth height of kitchen furniture.
 Installation and usage also with furniture handle possible. The push-to-open function remains active.

Connection
 Total connected load 2.0 KW - 2.4 KW. Connecting cable pluggable.
 Water connection with 3/4" screw joint. Connection to hot or cold water possible.
 Power consumption standby/network 2.0 W.
 Time auto-standby/network 2 min.
 Left-on-mode duration 0 min.
 Please check the user manual for how to switch off the WiFi module.

Color Variants
DF270101
Fully integrated
Height 81.5 cm

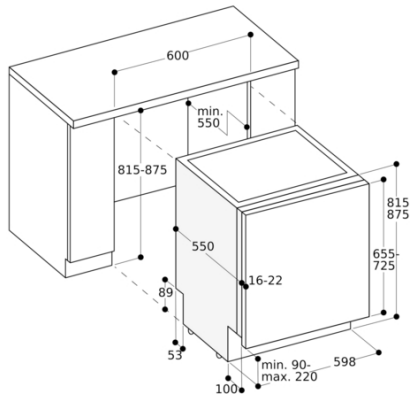
Included accessories
 1 x baking tray spray head.
 1 x stainless steel trim kit.

Optional accessories
DA041160
Cutlery drawer with smooth running rails
DA042030
Silvercare cartridge for all dishwashers
DA043000
Holder for long-stemmed glasses

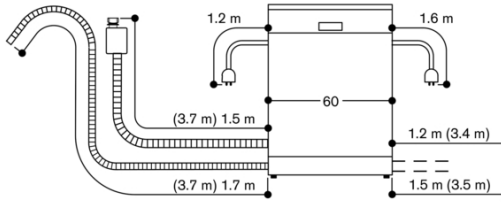
Installation Accessories
DA021000
Hinge for all fully integrated dishwashers
GZ010011
Extension for water inlet and outlet (2 m long)

GAGGENAU

81.5 cm high dishwasher



Connection dimensions for a 60 cm wide dishwasher



() values with extension kit