

gorenje

artim

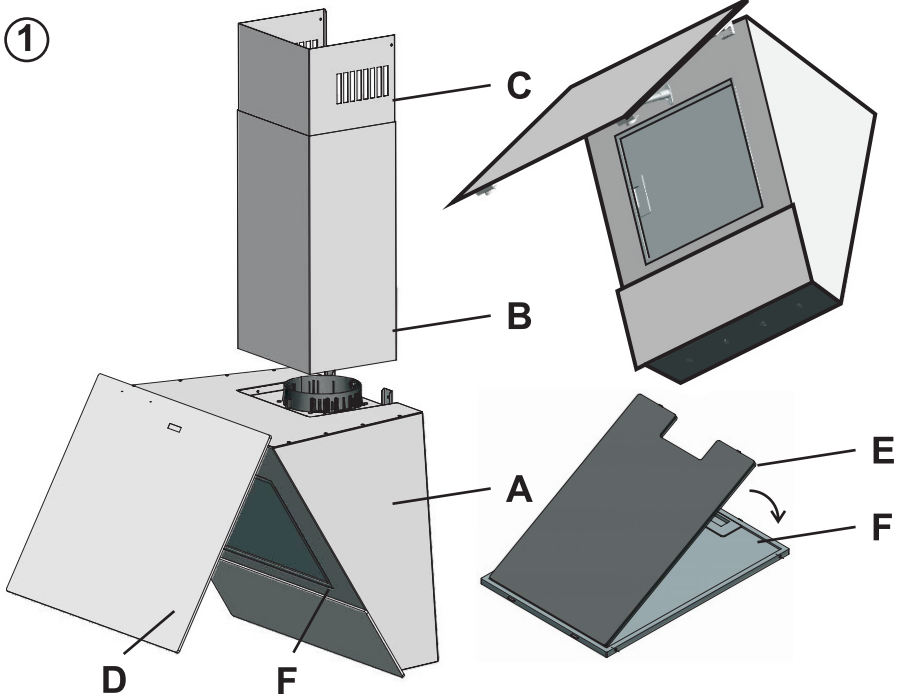


Cooker hood

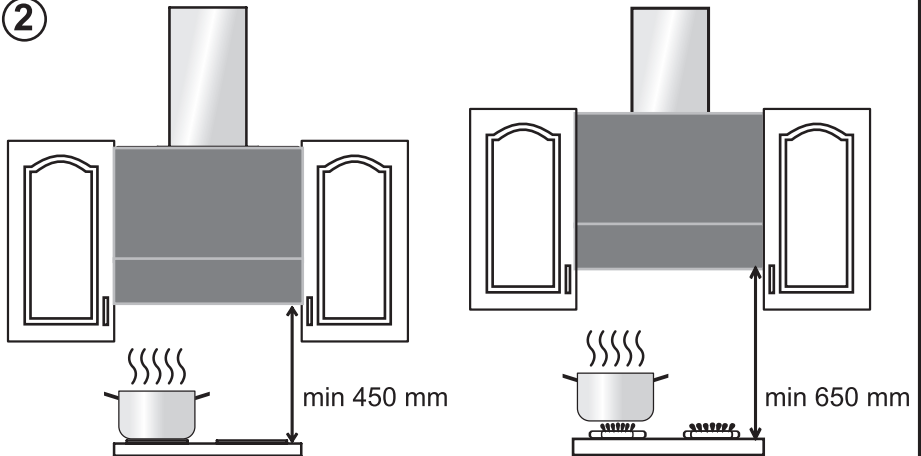
DVG 6565

GB

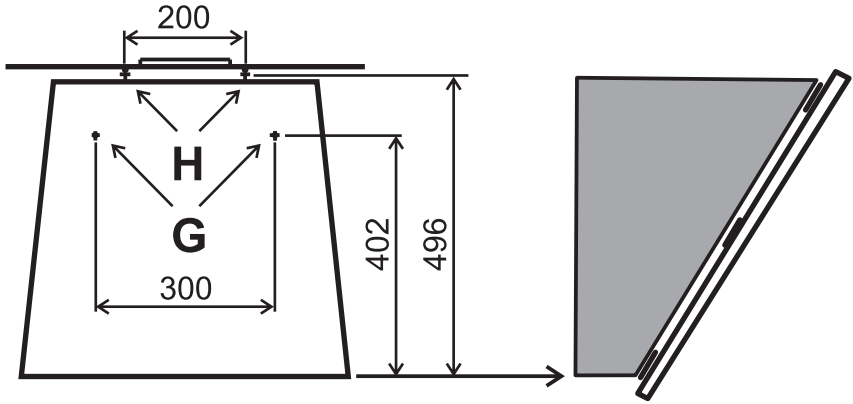
①



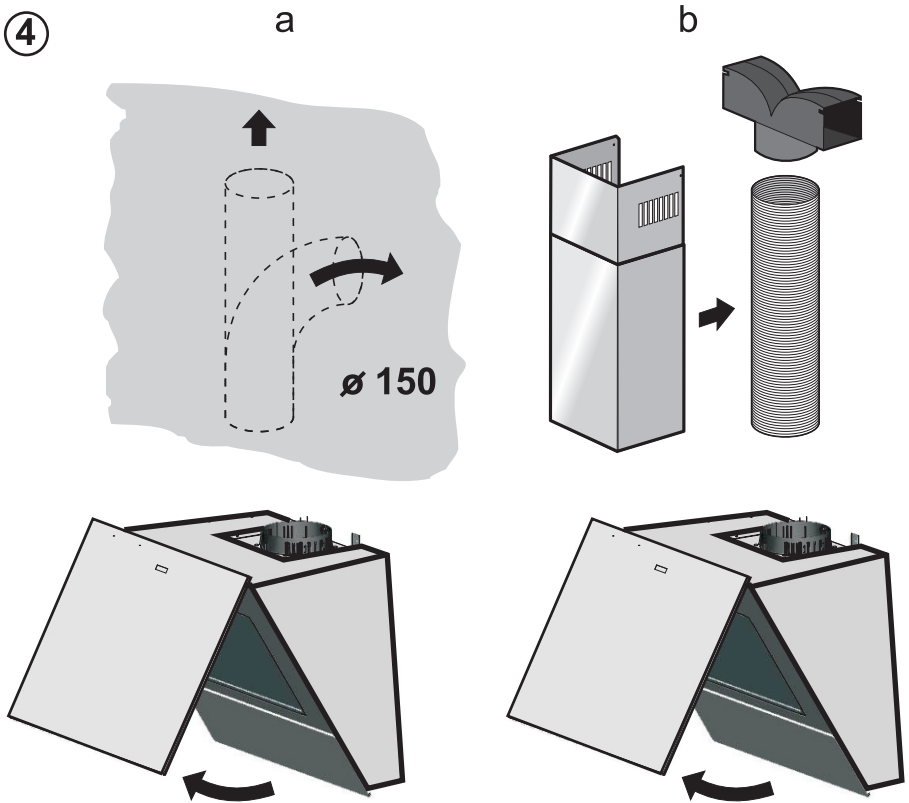
②



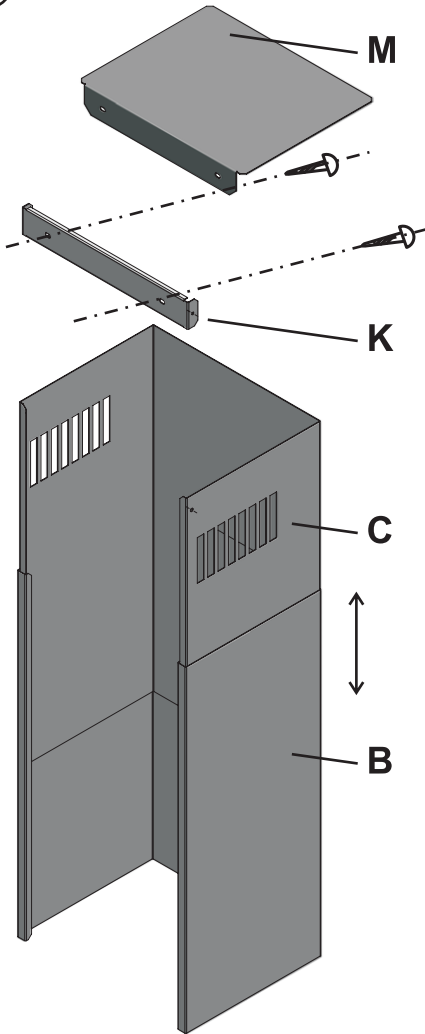
③



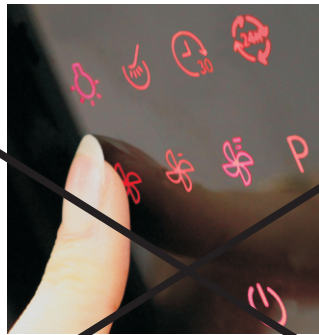
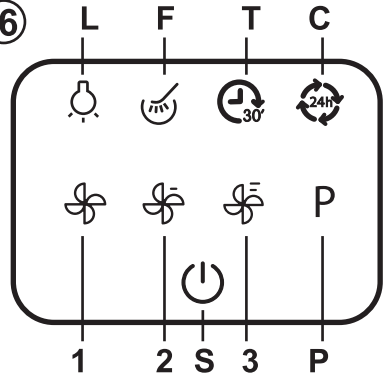
④



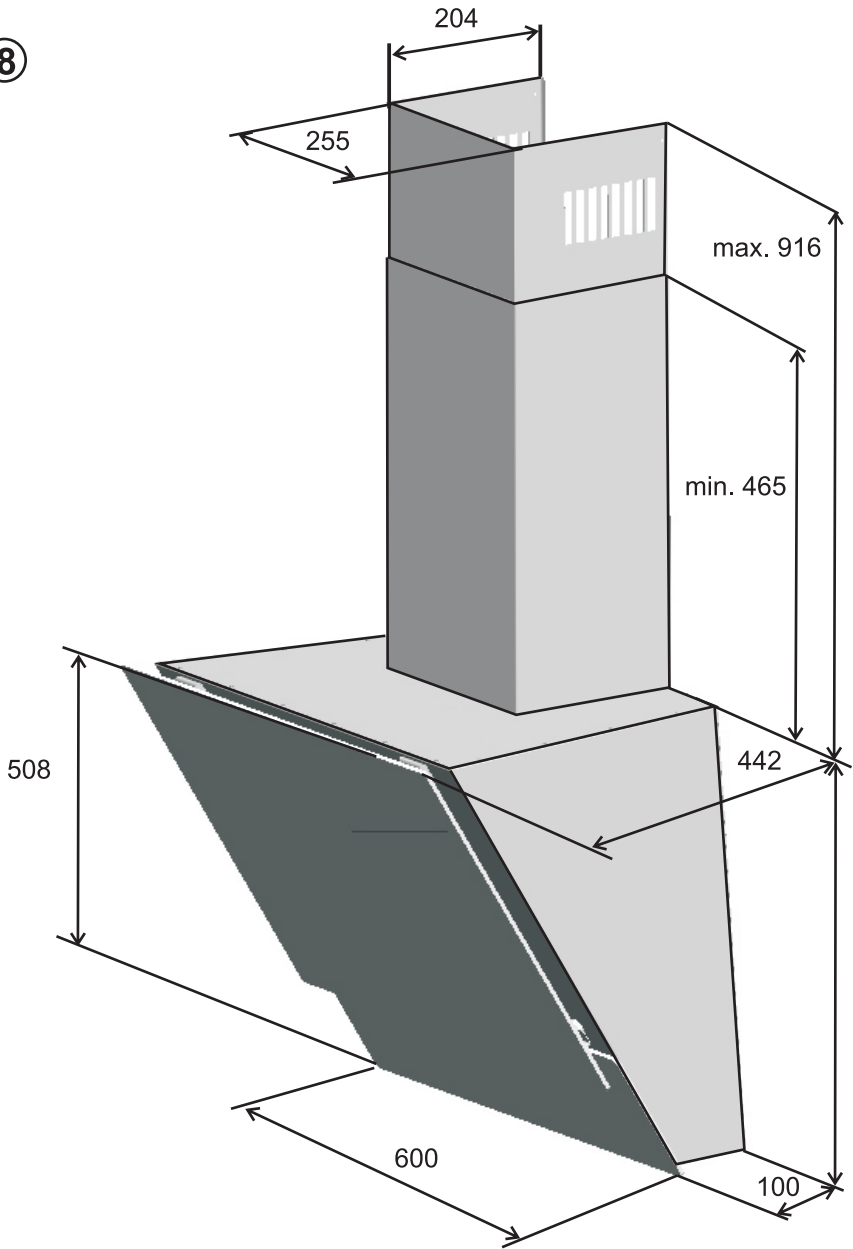
5



6



8



OPERATION AND MAINTENANCE MANUAL

Dear customer,

You have purchased a product of our new series of cooker hoods. We hope that our product will serve you well and for long time. We recommend you to study these instructions and to operate this product according to them.

IMPORTANT INFORMATION AND RECOMMENDATIONS

- The cooker hood should not be connected to smoke flue, which is used for combustion exhaust
- The appliance can be used in exhaust mode (the exhaustion of exhalations into waste air stack) or, after additional buying of carbon filter and recirculation set in recirculation mode (circulation through carbon filter).
- If there is in operation simultaneously with the cooker hood (in exhaust mode) appliance of type B in the same room - heat source (for instance with gas, oil, diesel fuel or with solid fuel), which draw combustion air directly from the room, then it should be taken into account, that these appliances create at combustion a certain level of under-pressure. Therefore it is necessary to provide a sufficient inflow of air (from the outside environment).
- The cooker hood is an electric appliance with Y – type connection. If the power cord is damaged, it should be replaced with the producer, his/her service technician or with similarly qualified person, for to prevent the creation of dangerous situation.
- Do not handle with open flame under the cooker hood (for instance at flambéing etc.)!
- Do not use hot plates (burners) under hood without pots!
- The big fat deposits from roasting on the grease filter should be regularly removed.
- The accessible parts could be hot at using of cooking devices.
- This appliance is designed for normal household use.
- Follow the below determined instructions at replacing of filters.
- This appliance should be operated with adults only.

- This appliance can be used by children aged from 8 years and above and persons with reduced physical, sensory or mental capabilities or lack of experience and knowledge if they have been given supervision or instruction concerning use of the appliance in a safe way and understand the hazards involved. Children shall not play with the appliance. Cleaning and user maintenance shall not be made by children without supervision.
- The producer is not responsible for damages caused with faulty installation or faulty using of appliance.

ATTENTION

- Plug in cooker hood to the net before fixing on the wall and check function of motor (all speeds) and function of lights.
- Check whether motor is not too noisy, whether have regular running.
- Do not remove protection foil from cooker hood and decoration chimney.
- Check if carton box is not damaged, check surface of cooker hood if there are not scratches or dishing.
IN CASE OF FAILS DO NOT FIX COOKER HOOD ON THE WALL AND CLAIMED IT AT YOUR SALER!!!
- Fix the cooker hood on the wall with protection foil. After fixing and setting right height of decoration chimney remove protection foil.
- Do not move with decoration chimney without protection foil. In other case there will be scratches on surface.

**Following these instructions you avoid
useless claiming.**

DESCRIPTION (FIG.1)

A – Cooker hood
B – Lower part of decoration chimney
C – Upper part of decoration chimney
D – Lifting off door
E – Carbon filter (for recirculation only)
F – Grease filter – metal cassette
M – Cover of decorative chimney
G – Seal

ELECTRIC CONNECTION

- Check before installation of appliance that the voltage in your power net corresponds to data given on the production sheet inside of the appliance.

- The appliance is provided with a power cord is ended with a plug – class I. of protection against electric shock.
- Connect the appliance to a socket corresponding to valid national standards.

INSTALLATION

The distance between the cooker hood and the hotplate should not be less as:

- 450 mm over electric the hob (fig.2)
- 650 mm over gas burners (fig.2)

ATTENTION

- The attached dowels and screws are designed for fastening of cooker hood on a wall from concrete or full bricks. For other wall material a corresponding type and size of dowels and screws should be used.
- Leave the fastening of cooker hood to a specialist!
- When installing cooker hood do not keep it by glass front surfaces!

MOUNTING OF COOKER HOOD

- Remove cooker hood from the packaging.
- A part of packaging is the mounting guide – see fig. 3.
- Open the cooker hood and take off the fat catching metal filter.
- Place the mounting guide on the wall (bottom edge of guide = bottom edge of cooker hood) and mark the location of openings for the dowels in the required height.
- Drill the openings for the dowels on the marked places „G“ and „H“. Tap the dowels into the bored openings.
- Screw in the screws into the dowels in the openings „G“ and hang up the cooker hood on them.
- Lock the location of cooker hood with two screws in the openings „H“.

IMPORTANT:

The horizontal location of cooker hood should be observed.

THE EXHAUSTION VERSION

- At use of exhaustion version (see fig. 4) the exhalations are led into the exhaustion opening with the exhaustion hose, which is connected to the cooker hood with a flange. The exhaustion hose and the

fastening clips should be bought additionally.

- The exhaustion is provided through the upper outlet of the cooker hood, on which the exhaustion hose should be connected and the other end of hose should be connected into the exhaustion opening. The diameter of exhaustion hose should be the same as the diameter of connecting flange – e.g. Ø 150 mm, or Ø 120 mm with a reduction piece (if you use connection hose Ø 120 mm , you will decrease exhaust capacity and increase noise level)

MOUNTING OF EXHAUSTION VERSION AND OF DECORATION CHIMNEY

- Fasten with help of a hose clip on the hinged on cooker hood the one end of exhaustion hose, fasten the other end into the exhaustion opening.
- Both parts (the upper C and lower B) of decoration chimney, shifted one to the other, place on the hinged on cooker hood.
- Shift the upper part C into the required height, mark the upper location and mark the fastening openings of console (K).
- Remove the decoration chimney and bore the marked openings for the dowels.
- Screw on the console (K) together with cover of decoration chimney (M).
- Fasten once more the both parts of decoration chimney, shift out its upper part and fasten to the console with two screws.

IMPORTANT:

Remove protection foil from decoration chimney not until last assembly of decoration chimney!

IMPORTANT!

The carbon filter should not be installed in the cooker hood at exhaustion version.

RECIRCULATION VERSION

- A carbon filter and recirculation set should be bought for the cooker hood in recirculation version (fig. 9). The exhalations are exhausted through the carbon filter.(fig. 1 (E)) The circulation air with removed smell is led with exhausted hose through air spreader to the ventilation openings in upper part of decorative chimney to the room.

- This version is used in cases, when there is no waste air stack at disposal.

CAUTION!

The carbon filter should be installed in the cooker hood at recirculation.

CONTROL (FIG. 6)

S – sensor of switching on/off function (sensor of power switch)

L – sensor of light switching on/off function

- – sensor to reduce light intensity

+ – sensor to increase the intensity of light

1, 2, 3 – sensors for setting on of capacity level

P – sensor of increased capacity function (BOOSTER)

F – signal light for signaling the pollution level for the filter

C – sensor of CLEAN and FRESH function

T – sensor of TIMER

CAUTION

- The sensor touch control is activated with single placing of finger on the corresponding symbol on the control board. Therefore keep the control board clean and dry.
- Do not allow to children the use or cleaning of appliance.
- **PREVENT** the undesired switching on of appliance, for instance with pets!
- The set up parameters will be set to zero at disconnection of cooker hood from the power.

The capacity of cooker hood can be regulated in four levels using the touch symbols on the control board. The reaction time of symbols is 0.5 seconds – this is the necessary time for holding the finger on the corresponding symbol.

SWITCHING ON OF COOKER HOOD

The sensor S is shining with lower intensity after connecting the cooker hoods to the power net. With pressing the S sensor (power switch) the cooker hoods will be switched on – the control board will shine and activated.

SETTING UP OF CAPACITY LEVEL FOR THE COOKER HOOD

Using of sensors 1- 3 we can set up the capacity level after switching on of the cooker hood.

BOOSTER – FUNCTION OF INCREASED CAPACITY

- The function „BOOSTER“ is used for fast switching on of the maximal capacity for the cooker hood.
- The „BOOSTER“ function is activated with pressing of „P“ symbol.
- The duration of cooker hood operation in this mode is max. 10 minutes. After elapsing of this period the capacity will be automatically decreased to level 3.

DEACTIVATION – CANCELLING OF „BOOSTER“ FUNCTION

The „booster“ function is cancelled with pressing one from symbols 1, 2 or 3.

SETTING OF LIGHT INTENSITY OF COOKER HOOD

- After switching ON of cooker hood press sensor „L“.
- With help of sensors „+“ and „-“ set required intensity of light.

NOTE:

For repeated switching ON of cooker hood the intensity of lights remain the same as was before last switching OFF

SWITCHING OFF LIGHTING OF THE COOKER HOOD

The lighting of cooker hood can be switched off with pressing of sensor „L“.

TIMER

- The TIMER function is used for automatic switching off of the cooker hood.
- The function is activated with pressing of sensor „T“
- The capacity level can be changed at used timer function.
- The operation duration of cooker hood in this mode is 30 minutes.

- The cooker hood will be switched off automatically after elapsing of this time period.

METHOD

- Switch on the cooker hood with pressing of the sensor „S“.
- Select the desired capacity level (1, 2 or 3)
- Press the timer sensor „T“.
- The capacity level can be changed during the operation in the „TIMER“ mode.
- The deactivation of timer can be made with repeated pressing of sensor „T“.

REMARK

At switching off of the cooker hood with sensor „S“ also the timer function is switched off.

CLEAN AND FRESH FUNCTION

METHOD

- Switch on the cooker hood with pressing of the sensor „S“.
- Activate the CLEAN and FRESH function with pressing of the sensor „C“.
- Every hour the cooker hood will be switched on for 5 minutes during this activated function.
- The cooker hood in this mode is working on the capacity level no.1.

REMARK

The CLEAN and FRESH function will be automatically switched off at switching of cooker hood to „BOOSTER“ or to other capacity level.

DEACTIVATION OF CLEAN AND FRESH FUNCTION

With repeated pressing of sensor „C“.

SIGNAL LIGHT FOR THE POLLUTION LEVEL OF THE FILTER

- The signal light for the pollution level of the filter will shine after 100 hour of operation of the cooker hood. Provide the checking of pollution level of the metal filter.
- Press the sensor (symbol “F”) for at least 5 seconds after provided check and cleaning of the filter, the counter of operation hours will be set to zero with it.

AUTOMATIC SWITCHING OFF OF THE COOKER HOOD

If no change in the setting or other selection is made up to 5 minutes from switching on of the cooker hood with the sensor „S“, then the cooker hood switches automatically off.

SAFETY SWITCHING OFF OF THE COOKER HOOD

- It switches everything except the CLEAN and FRESH function off.
- If no change in the setting of the cooker hood is made during the last 48 hours, a safety switching off of the cooker hood is realized.

MAINTENANCE AND CLEANING

- At cleaning or maintenance switch the appliance off from the power and this with disconnecting from the socket or with switching off of corresponding circuit breaker.
- The regular maintenance and cleaning ensure the efficiency, reliability and longer lifetime of cooker hood.
- Pay special attention to grease filter and to carbon filter.
- For cleaning of cooker hood do not use cleaning articles containing aggressive substances mainly chlorine and dissolvents.

GREASE METAL FILTER

- The grease metal filter (F) catches the fat particles.
- The metal filter should be cleaned manually or in dishwasher (at 65 °C) with use of appropriate detergents.
- The filter can slightly change its color when washed in dishwasher; nevertheless this fact has no influence to its functionality.
- Let the filter thoroughly dry after washing and return it to cooker hood in dry state only.

CASSETTE CARBON FILTER

- The carbon filter (E) absorbs the kitchen smell.
- **The carbon filter should be never washed!**
- Provide the cleaning cycle always after lighting on of symbol „F“ on the control board of cooker hood.

INSTALLATION OF CASSETTE CARBON FILTER

- Disconnect the appliance from the power net.
- Take out the grease filter (F) and fasten the cassette carbon filter (E) to its internal side – see the picture.

NOTICE!

The caught fat in the filter has influence not only to the effectiveness of cooker hood but at neglected maintenance could cause also a fire! Therefore we recommend the observation of instructions for cleaning and changing of filters.

LIQUIDATION OF CARBON FILTERS AFTER FINISHED LIFETIME

- The used filters can be put to normal household waste.
- The liquidation should be provided in concordance with the corresponding national standards and regulations.

CLEANING

- Clean regularly the internal and external parts of cooker hood with soft cleaning agents.
- Never use abrasive cleaning means.
- Clean the glass surfaces with special means for glass, mirrors and windows.

METHOD OF USE AND LIQUIDATION OF PACKAGING

Grooved cardboard, packaging paper

- sale to waste collecting company
- to collecting vessels for used paper
- other reuse

Polystyrene

- to corresponding collecting vessels

Packaging foil and PE backs

- to collecting vessels for plastic

LIQUIDATION OF APPLIANCE AFTER FINISHING OF USE



This appliance is marked in accordance with Directive 2012/19/EU on manipulation with waste from electric and electronic equipment – WEEE. This directive determines the unified European (EU) frame for collection and recycling of used equipment.

The appliance contains valuable materials which should be reused after finishing of their use. Please give your used appliance to waste processing company.

CLAIMS

If there is any defect on the appliance within the guarantee period, do not repair it self. Apply a claim in the shop in which you bought the appliance or at service representatives, mentioned in the Guarantee conditions.

At applying of claim observe the text of Guarantee sheet and GUARANTEE CONDITIONS.

REMARK:

The producer reserves the right for providing of minor changes, resulting from innovations or from technological modifications of the product

BASIC TECHNICAL DATA

Type	8140/DVG 6565
Quantity of motors	1
Max. motor capacity	200 W
Lighting - LED	4 x 1 W
Total power consumption of cooker hood	204 W
Electric voltage	230 V ~
Protection class against electric shock	I.
Dimensions (mm): w x d x h (Fig. 7)	600 x 442 x 523
Noise level	62 dBA
Color – version	Inox – glass
Grease filter	1 pc – metal
Control	TOUCH CONTROL
Number of capacity levels	3 + BOOSTER
Exhaustion	Ø 150 mm
Exhaustion with reduction	Ø 120 mm
Exhaustion	- upper - recirculation

*The declared noise emission level of this appliance is 62 dB (A), what represents the A level of acoustic power in comparison to reference acoustic power 1pW.

ACCESSORIES OF COOKER HOOD

Dowels and screws for mounting of cooker hood on a wall and screws for fastening of decoration chimney
Screws 5 x 50 mm (6 pieces)
Screw 3,9 x 5 mm (2 pieces)
Dowels H 6 (6 pieces)
Upper cover of decoration chimney for recirculation
Console for fastening of decoration chimney
Decoration chimney (2 pieces)
Backflow valve – is integral part of ventilator motor
Reduction Ø 150 / 120 mm
Seal (1 piece)

ACCESSORIES OF COOKER HOOD FOR ORDERING

Carbon filter – set SAP 322147
Prolongation of decoration chimney
SAP 322151
Exhaustion hose
Ø 120 or Ø 150 mm + fastening clip
Recirculation set (SAP 330276)

495889en

FICHE			
	Symbol	Unit	Value
Supplier's name or trade mark			GORENJE
Model identification			DVG6565KRUK DVG6565KRBUK
Annual energy consumption	AEC_{hood}	kWh/annum	81,2
Energy Efficiency class			D
Fluid dynamic efficiency	FDE_{hood}	%	11,3
Fluid Dynamic Efficiency class			E
Lighting efficiency	LE_{hood}	Lux/W	29,3
Lighting Efficiency class			A
Grease filtering efficiency	GFE_{hood}	%	59
Grease Filtering Efficiency class			E
Air flow - at minimum speed in normal use		m^3/h	211
Air flow - at maximum speed in normal use		m^3/h	463
Air flow - at intensive or boost setting		m^3/h	623
Sound power, at minimum speed available in normal use	A	dB	39
Sound power, at maximum speed available in normal use	A	dB	54
Sound power, at intensive or boost setting	A	dB	62
Measured power consumption off mode	P_o	W	0,43
Measured power consumption in standby mode	P_s	W	-
Time increase factor	f		1,6
Energy efficiency index	EEI_{hood}	%	89,3
Measured air flow rate at best efficiency point	Q_{BEP}	m^3/h	250
Measured air pressure at best efficiency point	P_{BEP}	Pa	210
Maximum air flow	Q_{max}	m^3/h	623
Measured electric power input at best efficiency point	W_{BEP}	W	130
Nominal power of the lighting system	W_L	W	8
Average illumination of the lighting system on the cooking surface	E_{middle}	Lux	234
Sound power level	L_{WA}	dB	54

en

