

F 2813 Vi MasterCool freezer

For high-end design and technology on a large scale.



- Push2open for convenient door-opening assistance
- Light floods the interior thanks to LED elements – BrilliantLight
- Fresh ice cubes from the IceMaker with mains water connection
- Convenient control thanks to colour touch display MasterSensor



EAN: 4002516712664 / Material number: 12366260 / Old Material Number: 37281300GB

Appliance category	
Freezer	•
Construction type	
Built-in appliance	•
Integrated appliance	•
Convertible door hinging	•
Side-by-side enabled	•
User convenience	
Networking with Miele@home	•
NoFrost	•
SoftClose	•
Control system	
Operating concept	MasterSensor
Independent temperature regulation of fridge and freezer zones	No
SuperFreeze	•
Sabbath mode	•
Eco mode	•
Efficiency and sustainability	
Energy efficiency class (A–G)	E
Annual energy consumption in kWh	321.00
Energy consumption in 24 h in kWh	0.79
Technical data	
Niche width in mm min.	762
Niche height in mm min.	2134
Niche depth in mm	629
Appliance width in mm	740
Appliance height in mm	2125
Appliance depth in mm	608
Weight in kg	156.2
Door hinge technology	Fixed door
4* freezer compartment in l	445
Freezer capacity in kg/24 h	23.00
Acoustic airborne noise emission class (A–D)	D
Sound emissions in dB(A) re 1 pW	42
Current consumption (mA)	0
Voltage in V	220-240
Fuse rating in A	10
Number of phases	1
Frequency in Hz	50-60
Length of supply lead in m	3.0
Replacing lamps	Service

F 2813 Vi MasterCool freezer

For high-end design and technology on a large scale.

EAN: 4002516712664 / Material number: 12366260 / Old Material Number: 37281300GB

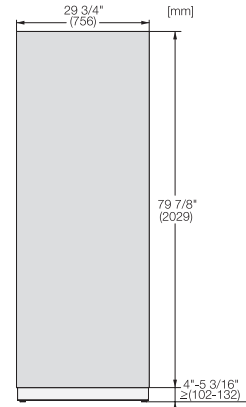
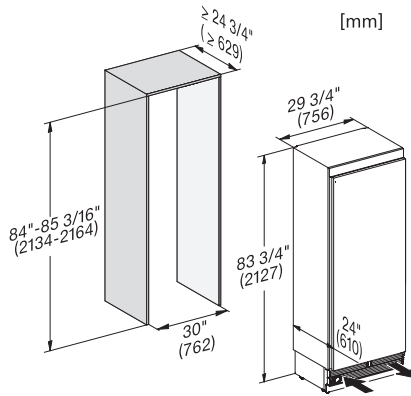
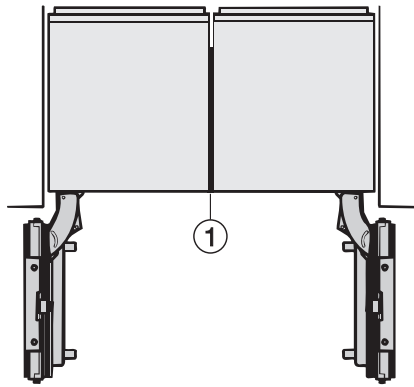


Available display languages

Available display languages via MultiLingua

bahasa malaysia, dansk,
deutsch, eesti, english,
english (AU), english (CA),
english (GB), english (US),
español, français, français
(CA), français (FR), hrvatski,
italiano, latviesu, lietuviu,
magyar, nederlands,
norsk, polski, portugûês,
русский, română,
slovenčina, slovenščina,
srpski, suomi, svenska,
türkçe, українська, čeština,
ελληνικά,

F 2813 Vi
MasterCool freezer
For high-end design and technology on a large scale.

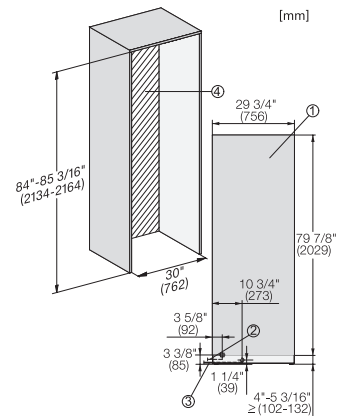
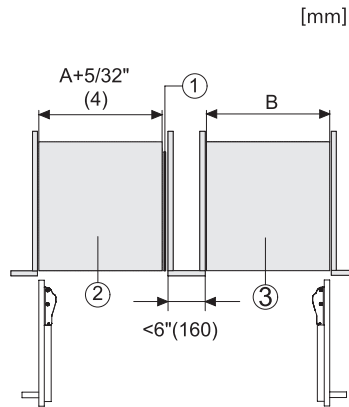
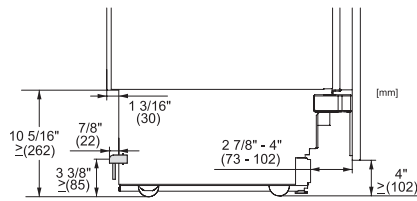


Side-by-side, MasterCool, without partition wall, with heating mat (Sketch) (with footnote)

F2812Vi, F2813Vi, F2802Vi, F2811Vi, F2801Vi, MasterCool, inner space, installation drawings

KFP3005ed/cs, KFP3004ed/cs, Front panel, Front dimensions, MasterCool II, installation drawings

1) Heating mat KSK 2001 (EU, AUS, CN) or KSK 2002 (US, CA, MX, BR)



Sideview, MasterCool, Sketch

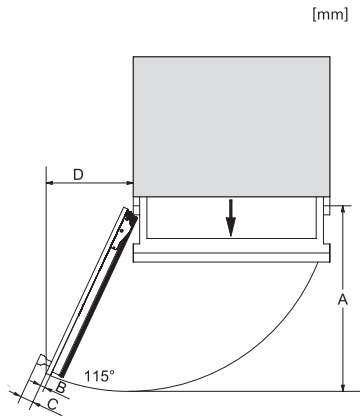
Side-by-Side, MasterCool, footnote, installation drawings

F2802Vi, F2812Vi, F2813Vi, F2812SF, F2801Vi, F2811Vi, F2811SF, installation, MasterCool, installation drawings

1. KSK 2001/2002, 2. Device A, 3. Device B, A = niche device A, B = niche device B

1. View from the front, 2. Mains Connection cable, L = 3000 mm (118 inch), 3. Water inlet position, L = 2000 mm (not for KON USA), 4. No water/ELT connections permitted in this area

F 2813 Vi
MasterCool freezer
For high-end design and technology on a large scale.



Opening angle 90°/115°, right side stop, MasterCool (Sketch) with footnote

A) Appliance door: F 2411 Vi: 525 mm (20 2/3 inch); F 2412 Vi, F 2412 SF, F 2413Vi, F 2472 Vi, F 2472 SF: 525 mm (20 2/3 inch); F 2671 Vi: 677 mm (26 2/3 inch); F 2672 Vi, F 2672 SF: 677 mm (26 2/3 inch); F 2812 SF, F 2812 Vi, F 2813 Vi: 829 mm (32 2/3 inch); F 2912 Vi, F 2912 SF: 982 mm (38 2/3 inch); B) Furniture front (max. 38 mm) (1 1/2 inch), C) Door handle, D) Distance from the door to the wall (without furniture front and door handle): F 2411 Vi: 237 mm (9 1/3 inch); F 2412 Vi, F 2412 SF, F 2472 Vi, F 2472 SF: 237 mm (9 1/3 inch); F 2672 Vi, F 2672 SF: 296 mm (11 2/3 inch); F 2811 Vi: 363 mm (14 1/3 inch); F 2812 SF, F 2812 Vi: 363 mm (14 1/3 inch); F 2912 Vi, F 2912 SF: 428 mm (16 7/8 inch); E) ONLY valid for SF versions: A + 25 mm (1 inch)