

Gebruiksaanwijzing en installatievoorschriften

Inductiekookplaten Free Zone

Installation

Table à induction Free Zone

Montageanleitung

Induktions Kochfelder Free Zone

Instructions installation

Free Zone Induction hob

1790

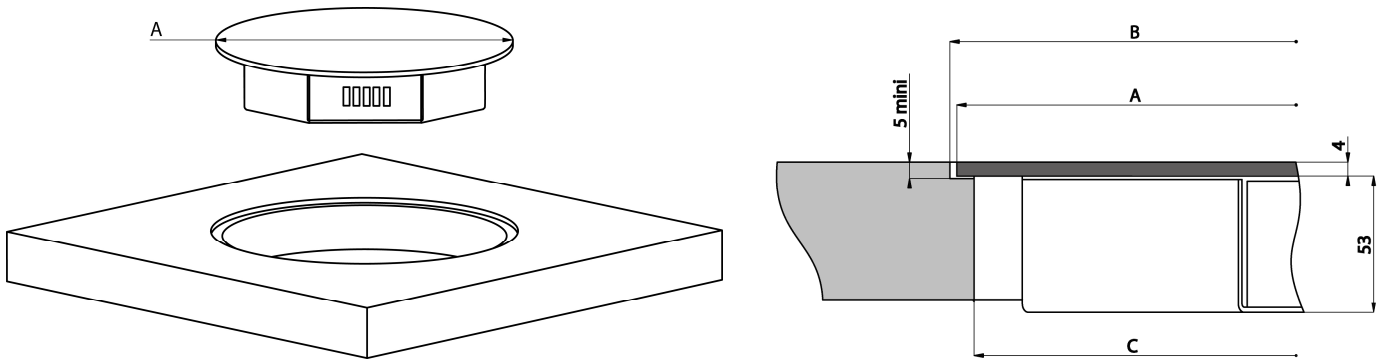
NOVY®

SUMMARY

DESCRIPTION OF THE APPLIANCE	21
APPLIANCES AND INSTALLATION DIMENSIONS.....	21
MULTIZONES INSTALLATION	21
INSTALLATION.....	21
VENTILATION	22
INSTALLATION INSTRUCTIONS	22
CONNEXION OF THE DIFFERENT ELEMENTS	23
CONNECTION OF COOKING ZONES	23
CONFIGURATION PROCEDURE	24
WHAT TO DO IN CASE OF A PROBLEM	24
ELECTRICAL CONNECTION	25

DESCRIPTION OF THE APPLIANCE

Appliances and installation dimensions



	Dimension	Heating zone		Finger touch
		5	7	C
Reference		1790-002	1790-003	1790-001
Dimension of glass	A	270mm	300mm	326 x 160 – R80
Diameter of the throat	B	274mm	304mm	330 x 164 – R82
Thickness of glass		4mm	4mm	4mm
Cut-out Dimension	C	254mm	284mm	314 x 150 – R75
Height total		57mm	57mm	35mm
Diameter of the inductor		160mm	200mm	
Power		1100W	2300W	
Booster f		2500W	3000W	

Dimensions of the technical box 1790-004 : 270x210x48

MULTIZONES INSTALLATION

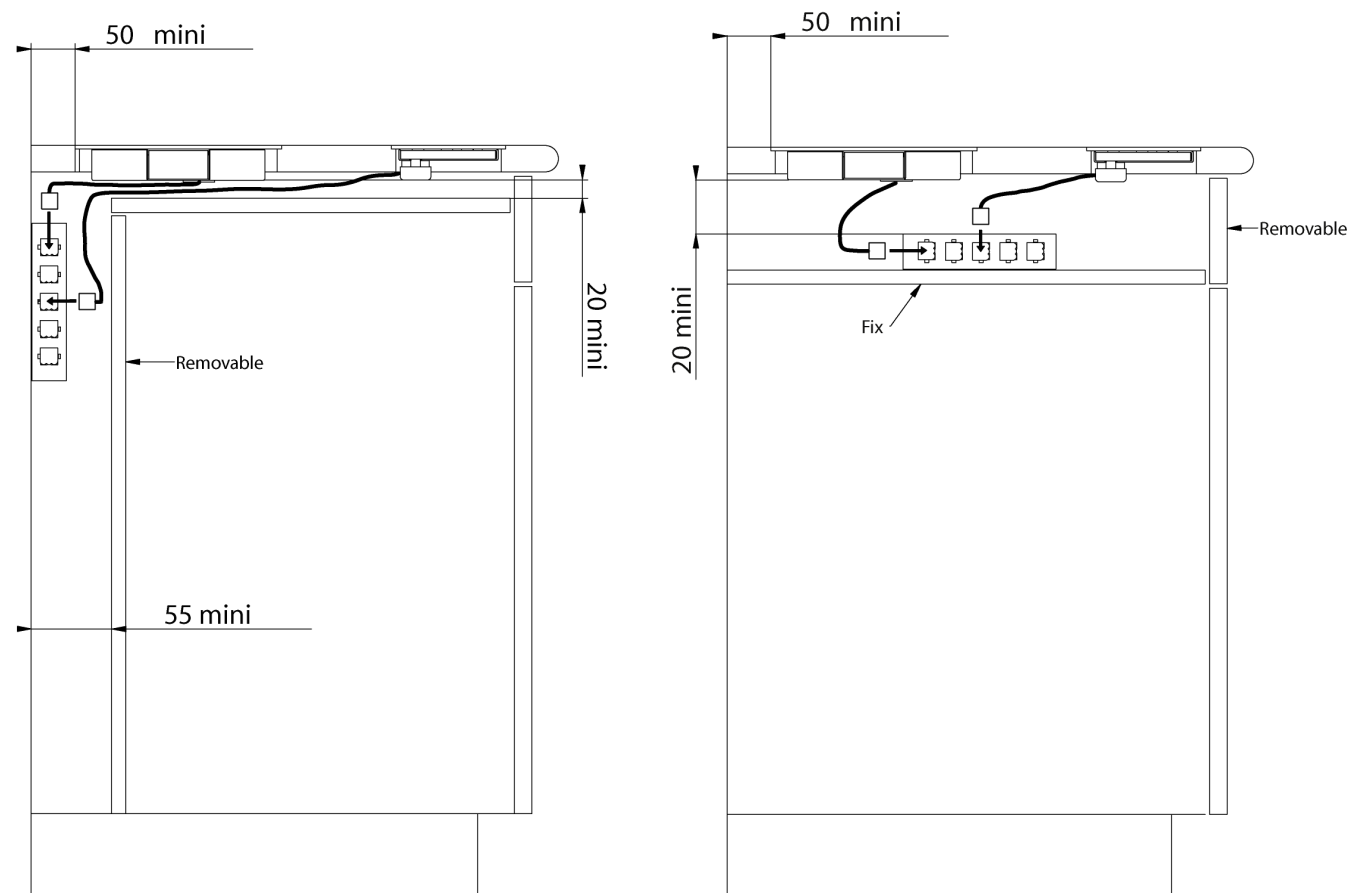
Installation

- Unpack all the material.
- The installation and connection of the appliance have to be done by approved specialists. The manufacturer can not be held responsible for damage caused by building-in or connecting errors.
- The appliance must be well-equipped and installed in a kitchen unit and an adapted and approved work surface.
- This domestic appliance is exclusively for the cooking of food, to the exclusion of any other domestic, commercial or industrial use.
- Remove all labels and self-adhesives from the ceramic glass.
- Do not transform or modify the appliance.
- The cooking zones and the control panel should not be used as support or worktop.
- The appliance must be grounded and connected conform to local standards.
- Do not use any extension cable to connect it.
- The appliance can not be used above a dishwasher or a tumble-dryer: steam may damage the electronic appliances.

Ventilation

Important: the cooling system needs some airflow.

Take into account to keep the gap in front of the air inlet of the cooling fan



Installation instructions

The installation comes under the exclusive responsibility of specialists.

The installer is held to respect the legislation and the standards used in his home country.

Fitting - installing:

- The piece of furniture or the support in which the hob has to be fitted, as well as the edges of furniture, the laminate coatings and the glue used to fix them, must be able to resist temperatures of up to 100 °C.
- The mural rods of edge must be heat-resisting.
- The hobs are classified as “Y” class for heat protection. Ideally the hob should be installed with plenty of space on either side. There may be a wall at the rear and tall units or a wall at one side. **On the other side, however, no unit or divider must stand higher than the hob.**
- Ensure that there is a distance of 50 mm between the hob and the wall or sides.
- Materials which are often used to make worktops expand on contact with water. To protect the cut out edge, apply a coat of varnish or special sealant. Particular care must be given to applying the adhesive joint supplied with the hob to prevent any leakage into the supporting furniture. This gasket guarantees a correct seal when used in conjunction with smooth work top surfaces.
- The safety gap between the hob and the cooker hood placed above must respect the indications of the hood manufacturer. In case of absence of instructions respect a distance minimum of 760 mm.
- The connection cords should be subjected, after building in, with no mechanical constraint, such as for example the drawer.

CONNEXION OF THE DIFFERENT ELEMENTS

The installation of this appliance and the connection to the electrical network should be made by an electrician perfectly aware, and in respect of the normative regulations

Connection of cooking zones

Each connector of the cooking zones, is located by a sticker with the classification from 5 to 8 corresponds to:

- 5: Heating zone 1100 W / Glass diameter 270mm
- 7: Heating zone 2300 W / Glass diameter 300mm
- The fingertouch electronic is located by “C” on the connector

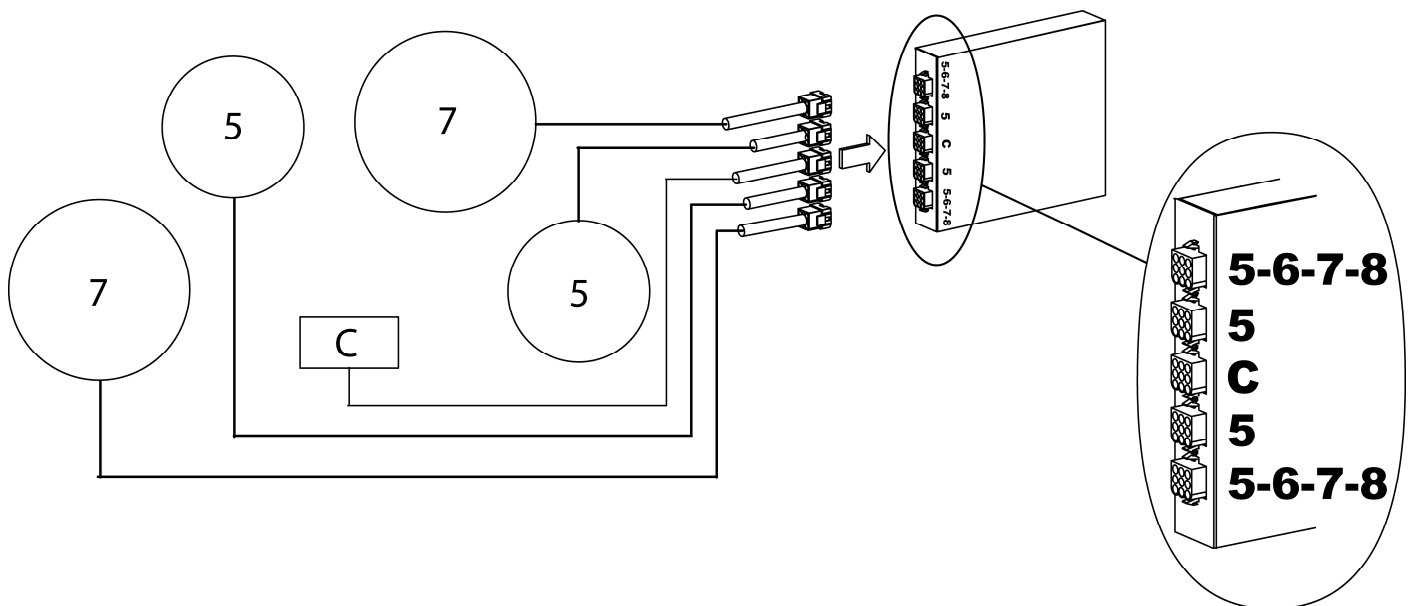
On the technical box, near the female connectors are written: **5-6-7-8-C**.

Connect the fingertouch on the “C” of the technical box.

Connect the heating zones with the corresponding number on the technical box.

To connect easily, begging with the biggest number of the heating zone.

Example:



Nota:

- It is strictly forbidden to lengthen or shorten the wire of the cooking zones.
- We do not take any responsibility in cas of not respecting the connections indicated and the safety warnings.

CONFIGURATION PROCEDURE

The table must be configured. Please implement the following steps:

I) **Important!** Before you start, make sure there is no more pot on the hob

II) **Disconnect** the appliance from the grid by removing the fuse or turning the circuit breaker off

III) **Reconnect** the table to the grid

IV) **Procedure:**

- * Take a pot with a ferromagnetic bottom with a minimum diameter of 16 cm
- * start the procedure within 2 minutes after reconnecting the hob to the grid
- * don't use the [O/I] touch

V) **First step: cancel the existing configuration**

- 1) Press the touch n°2 and hold down
- 2) The symbol [-] will appear on each display
- 3) With your other hand, press successively and quickly (less than 2s) on each [-] display.

Begin from the front right side and turn contrary clockwise, as described on the picture (a -> b -> c -> d)).

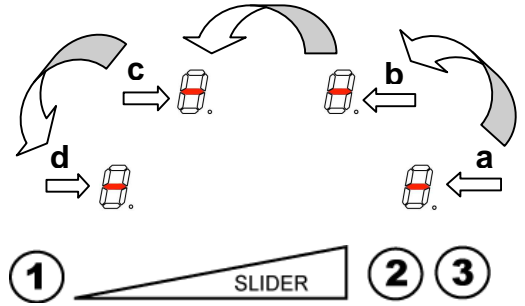
A double "beep" means an error occurred. If so, start again from item 1).

4) Remove your fingers from the touch control, then **push again on touch 1** during few seconds, until blinking [E] symbols appear.

5) Wait until [E] symbols stop blinking.

6) After few seconds, [E] are automatically transformed in [C].

The existing setup has been cancelled.



VI) **Second step: new setup**

Take a pot with a ferromagnetic bottom with a minimum diameter of 16 cm 2) Select a cooking zone by pushing on the corresponding [C] display

3) Place the pot on the area to be set

4) Wait until the [C] display becomes a [-]. The selected cooking zone is now configured.

5) Follow the same procedure for each cooking zone with a [C] display.

6) All the cooking zones are configured once all the displays are turned off.

Note:Please use the same pot for the whole procedure.

Never put several pots together on the zones during the setup-process.

WHAT TO DO IN CASE OF A PROBLEM

The symbol [E4] appears :

- Reconfigure the table
- If the symbol remains, please contact the After sales service

ELECTRICAL CONNECTION

- The installation of this appliance and the connection to the electrical network should be entrusted only to an electrician perfectly aware, and in respect of the normative regulations
- Protection against parts under tension must be ensured after the building.
- The data of connection necessary are on the stickers place on the hob casing near the connection box.
- The connection to the main must be made using an earthed plug or via an omnipolar circuit breaking device with a contact opening of at least 3 mm.
- The electrical circuit must be separated from the network by adapted devices, for example: circuit breakers, fuses or contactors.

CONNECTION OF THE HOB

For the various kinds of connection, use the brass bridges which are in the box next the terminal.

Caution!

- Connect always the earth wire.
- Respect the connection diagram.
- This device is intended for a supply of 230 V ~ 50 Hz
- The connection box is located underneath at the back of the hob casing. To open the cover use a medium screwdriver. Place it in the slits and open the cover.

Country	Mains	Connection	Cable diameter	Cable	Protection calibre
GB-NL-FR	230V~1P+N 50Hz	1 Phase + N	3 x 2.5 mm ²	H 05 VV - F H 05 RR - F	25 A *
	400V~2P+N 50Hz	2 Phases + N	4 x 1.5 mm ²	H 05 VV - F H 05 RR - F	16 A *

(*) calculated with the simultaneous factor following standard EN 60 335-2-6/1990

Important

It is forbidden to extent or to shorten the liaison wires areas of the cooking zones (5,6,7,8; see page 6)Only the control panel (C) may be extended (Order our only lengthens ref A10506/0).

Monophase 230V~1P+N:

Put the 1st bridge between terminal 1 and 2, the 2nd between 3 and 4.

Attach the earth to the terminate “earth”, the neutral N to terminal 3 or 4, the Phase L to one of the terminals 1 or 2.

Biphase 400V~2P+N:

Put a bridge between terminal 3 and 4.

Attach the earth to the terminate “earth”, the neutral N to terminal 3 or 4, the Phase L1 to the terminals 1 and the Phase L2 to the terminal 2.

Caution! Be careful that the cables are correctly engaged and tightened.

We cannot be held responsible for any incident resulting from incorrect connection or which could arise from the use of an appliance which has not been earthed or has been equipped with a faulty earth connection.

