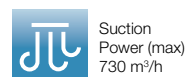
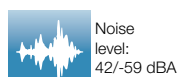


LIFT HOODS

## CHDD 9010 RC X

STAINLESS STEEL



### HOOD WITH DOWNDRAFT SYSTEM

Stainless steel finish  
Energy Class A

### PERFORMANCE

Perimeter extraction  
Suction power up to 730 m³/h  
4 extraction speeds  
Extraction function pre-configured for filters  
Sound level 42/-59 dBA

### FEATURES

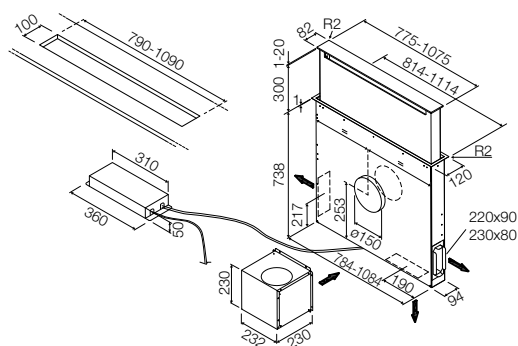
Rated power 285W  
Led strip lighting  
Internal anti-grease filters in aluminium with steel borders  
Air outlet minimum Ø 150 mm

### STANDARD ACCESSORIES

Remote control  
Power cable

### OPTIONAL ACCESSORIES

KITCF 005: carbon filters for filtering version (see page 240)



### AVAILABLE MOTORS

DDM Installation on-board hood  
DDMA Remote installation  
DDME External installation



On board motor  
**DDM**  
Code EAN 8019801013395



Remote motor  
**DDMA**  
Code EAN 8019801015191



External motor  
**DDME**



Stainless steel  
**CHDD 9010 RC X**  
Code EAN 8019801013296



Set of no. 2 carbon filters  
**KITCF005**  
Code EAN 8019801015085