



**BM450100**  
**Combi-microwave oven 400 series**  
**Full glass door in Gaggenau Anthracite**  
**Width 60 cm**  
**Right-hinged**  
**Controls at the top**

Handleless door / automatic door opening  
 Single operation and combination of microwave, grill and oven  
 Sequential operation of up to 5 modes incl. programming of combined operation and rest time  
 TFT touch display  
 Panel-free appliance with surface control module  
 Electronic temperature control  
 Interior volume 36 litres

**Programmes**  
 Microwave operation with 5 output levels: 1000, 600, 360, 180, 90 W.  
 Oven operation with 4 heating methods:  
 Hot air 40 °C and from 100 °C to 250 °C,  
 Full surface grill + hot air from 100 °C to 250 °C,  
 Full surface grill + circulated air from 100 °C to 250 °C,  
 Full surface grill with 3 levels of intensity, maximum output 2000 W.  
 Heating methods with microwave output levels 600, 360, 180 and 90 W freely combinable.  
 15 automatic programmes with weight indication, customisable:  
 4 defrosting programmes  
 4 cooking programmes  
 7 combination programmes  
 Option to save individual recipes.

**Handling**  
 Automatic door opening.  
 Rotary knob and TFT touch display operation.  
 Clear text display.  
 Information key with use indicators.  
 Side-opening door opens up to 180° angle.

**Features**  
 Innowave.  
 Rapid heating.  
 Timer functions: cooking time, cooking time end, timer, stopwatch, long-term timer (certified by Star-K).  
 4 tray levels.  
 Actual temperature display.  
 60 W halogen light on the side.

**Safety**  
 Thermally insulated door with triple glazing.  
 Triple door lock.  
 Child lock.  
 Safety shut-off.  
 Cooled housing with temperature protection.

**Cleaning**  
 Hygienic stainless steel interior with glass ceramic base.  
 Interior back wall with catalytic coating.

**Planning notes**  
 Door hinge not reversible.  
 Plan the niche without back wall.  
 The door panel surface of the appliance extends 47 mm from the furniture cavity.  
 If the handle (optional accessory) is retrofitted, the outer edge of the door handle extends 94 mm from the furniture cavity.  
 Consider the overhang, incl. the door handle where applicable, when planning to open drawers next to the appliance.

**Characteristics**  
**Type of micro-wave oven**  
 MW-Combi  
**Type of control**  
 Electronic  
**Color / Material Front**  
 Anthracite  
**Dimensions**  
**Cavity dimensions**  
 236.0 x 445.0 x 348.0  
**Length electrical supply cord**  
 150  
**Net weight**  
 37.240  
**Gross weight**  
 42.8  
**Approval certificates**  
 CE, E17D UKCA marking, Ukraine, VDE  
**Maximum micro-wave power**  
 1000  
**Number of Power Levels**  
 5  
**Turntable**  
 No  
**Turntable diameter (in)**  
**Heating type**  
**Cavity material**  
 Stainless steel  
**Door opening**  
 Button  
**Clock**  
 Yes  
**Max. extraction rate**  
**Maximum output recirculating air**  
**Ventilation Power Levels**  
**Type of Filter**  
**Illumin type - kind of lamps**  
**number of lamps**  
**Included accessories**  
 1 x combination grid, 1 x glass tub  
**Main colour of product**  
 Anthracite  
**Height of the product**  
 455  
**Width of the appliance**  
 590  
**Depth of the product**  
 582  
**Maximum micro-wave power**  
 1000  
**Connection rating**  
 3100  
**Fuse protection**  
 16  
**Voltage**  
 220-240  
**Frequency**  
 60; 50  
**Plug type**  
 fixed connection, no plug  
**Connecting cable type**  
 1-phase, neutral conductor  
**Universal Product Code**  
**Color / Material Front**  
 Anthracite  
**Alternative colors available**  
 BM450110, BM450130  
**Approval certificates**  
 CE, E17D UKCA marking, Ukraine, VDE  
**Length of electrical supply cord (in)**  
**Required cutout/niche size for installation (in)**  
**Appliance Dimensions (h x w x d) (in)**  
 x x  
**Dimensions of the packed product**  
 22.04 x 27.95 x 27.16  
**Net weight**  
 82.000  
**Gross weight**  
 94.000

**Consumption and connection features**  
 2021-11-05  
 Page 1

When planning a corner solution, pay attention to the 110° door opening angle.  
 The mains socket needs to be planned outside of the built-in niche.

**Connection**  
 Total connected load 3.1 KW.  
 Connecting cable 1.5 m without plug.

**Color Variants**

**BM450100**  
**Full glass door in Gaggenau Anthracite**  
**Width 60 cm**  
**BM450110**  
**Stainless steel-backed full glass door**  
**Width 60 cm**

**Included accessories**

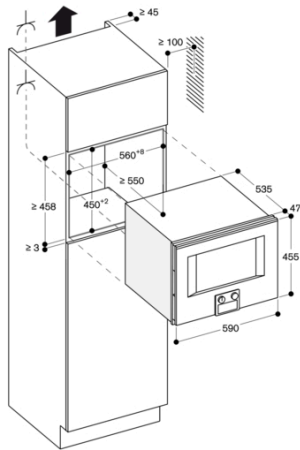
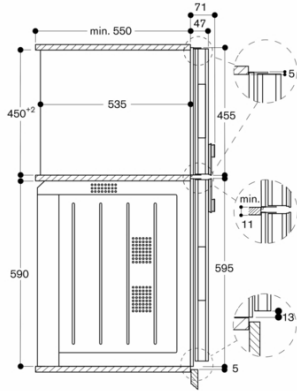
1 x combination grid.  
 1 x glass tub.

**Product Variants**

**BM451100**  
**Combi-microwave oven 400 series**  
**Full glass door in Gaggenau Anthracite**  
**Width 60 cm**  
**Left-hinged**  
**Controls at the top**  
**BM454100**  
**Combi-microwave oven 400 series**  
**Full glass door in Gaggenau Anthracite**  
**Width 60 cm**  
**Right-hinged**  
**Controls at the bottom**  
**BM455100**  
**Combi-microwave oven 400 series**  
**Full glass door in Gaggenau Anthracite**  
**Width 60 cm**  
**Left-hinged**  
**Controls at the bottom**

BM450100  
 Combi-microwave oven 400 series  
 Full glass door in Gaggenau Anthracite  
 Width 60 cm  
 Right-hinged  
 Controls at the top  
 2021-11-05  
 Page 2

Side view of BS 454/455, BM 454/455 above BO



Socket  
 measurements in mm

Side view of BM 454/455 above BO

