



**BM484110**  
**Combi-microwave oven 400 series**  
**Stainless steel-backed full glass door**  
**Width 76 cm**  
**Right-hinged**  
**Controls at the bottom**

Handleless door / automatic door opening  
Single operation and combination of microwave, grill and oven  
Sequential operation of up to 5 modes incl. programming of combined operation and rest time  
TFT touch display  
Panel-free appliance with surface control module  
Electronic temperature control  
Interior volume 36 litres

#### Programmes

Microwave operation with 5 output levels: 1000, 600, 360, 180, 90 W.  
Oven operation with 4 heating methods:  
Hot air 40 °C and from 100 °C to 250 °C,  
Full surface grill + hot air from 100 °C to 250 °C,  
Full surface grill + circulated air from 100 °C to 250 °C,  
Full surface grill with 3 levels of intensity, maximum output 2000 W.  
Heating methods with microwave output levels 600, 360, 180 and 90 W freely combinable.  
15 automatic programmes with weight indication, customisable:  
4 defrosting programmes  
4 cooking programmes  
7 combination programmes  
Option to save individual recipes.

#### Handling

Automatic door opening.  
Rotary knob and TFT touch display operation.  
Clear text display.  
Information key with use indicators.  
Side-opening door opens up to 180° angle.

#### Features

Innowave.  
Rapid heating.  
Timer functions: cooking time, cooking time end, timer, stopwatch, long-term timer (certified by Star-K).  
4 tray levels.  
Actual temperature display.  
60 W halogen light on the side.

#### Safety

Thermally insulated door with triple glazing.  
Triple door lock.  
Child lock.  
Safety shut-off.  
Cooled housing with temperature protection.

#### Cleaning

Hygienic stainless steel interior with glass ceramic base.  
Interior back wall with catalytic coating.

#### Planning notes

Door hinge not reversible.  
The door panel surface of the appliance extends 47 mm from the furniture cavity.  
If the handle (optional accessory) is retrofitted, the outer edge of the door handle extends 94 mm from the furniture cavity.  
Consider the overhang, incl. the door handle where applicable, when planning to open drawers next to the appliance.

#### Characteristics

**Type of micro-wave oven**  
MW-Combi

**Type of control**  
Electronic

**Color / Material Front**

**Dimensions**

**Cavity dimensions**  
236.0 x 445.0 x 348.0

**Length electrical supply cord**  
150

**Net weight**  
44.090

**Gross weight**  
49.6

**Approval certificates**  
CE, E17D UKCA marking, Ukraine, VDE

**Maximum micro-wave power**  
1000

**Number of Power Levels**  
5

**Turntable**  
No

**Turntable diameter (in)**

**Heating type**

**Cavity material**  
Stainless steel

**Door opening**  
Button

**Clock**  
Yes

**Max. extraction rate**

**Maximum output recirculating air**

**Ventilation Power Levels**

**Type of Filter**

**Illumin type - kind of lamps**  
**number of lamps**

**Included accessories**  
1 x combination grid, 1 x glass tub

**Main colour of product**  
stainless steel behind glass

**Height of the product**  
455

**Width of the appliance**  
752

**Depth of the product**  
582

**Maximum micro-wave power**  
1000

**Connection rating**  
3100

**Fuse protection**  
16

**Voltage**  
220-240

**Frequency**  
60; 50

**Plug type**  
fixed connection, no plug

**Connecting cable type**  
1-phase, neutral conductor

**Universal Product Code**  
825225914112

**Color / Material Front**

**Alternative colors available**

**Approval certificates**  
CE, E17D UKCA marking, Ukraine, VDE

**Length of electrical supply cord (in)**

**Required cutout/niche size for installation (in)**

**Appliance Dimensions (h x w x d) (in)**  
x x

**Dimensions of the packed product**  
21.85 x 26.37 x 32.87

**Net weight**  
97.000

**Gross weight**  
109.000

#### Consumption and connection features

2021-11-05  
Page 1

When planning a corner solution, pay attention to the 110° door opening angle.  
The mains socket needs to be planned outside of the built-in niche.

#### Connection

Total connected load 3.1 KW.  
Connecting cable 1.5 m without plug.

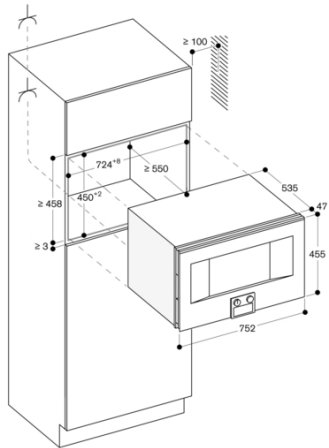
#### Color Variants

**BM484110**  
**Stainless steel-backed full glass door**  
**Width 76 cm**

#### Included accessories

1 x combination grid.  
1 x glass tub.

BM484110  
 Combi-microwave oven 400 series  
 Stainless steel-backed full glass door  
 Width 76 cm  
 Right-hinged  
 Controls at the bottom  
 2021-11-05  
 Page 2



Socket  
 measurements in inches (mm)

Side view of BM 484/485 above BO

