



Color Variants

RB472304
With fresh cooling close to 0 °C
Fully integrated

Included accessories

1 x egg box with lid.
1 x ice cube scoop.

Optional accessories

RA430100
Storage container with transparent lid, anthracite.
RA450000
Mechanical particle filter.
RA450010
Activated charcoal filter for water filter system including saturation indicator.

Installation Accessories

RA421712
Stainless steel door panels with handles
RA423340
Side trims, 2 pieces, for RY and RB.
RA425110
Handle bar, stainless steel, long
RA425710
Handle bar, stainless steel, short
RA428712
Stainless steel door panels, handleless
RA460000
Accessory for side-by-side installation. Required if appliances are installed handle to handle. Not required if appliances are installed more than 160 mm apart from each other. Included in delivery for RF and RW.
RA460013
Additional side heating element 230 V. Required if appliances are installed handle to hinge or hinge to hinge. Not required if appliances are installed more than 160 mm apart from each other.
RA460030
Connecting element for vertically split fronts (for fridge-freezer combination).
RA464710
Ventilation grille stainless steel

RB472304

Vario fridge-freezer combination 400 series
With fresh cooling close to 0 °C
Fully integrated
Niche width 76.2 cm, Niche height 213.4 cm
Cooling section with one door and one fully extendable freezing drawer

Stainless steel interior with solid anthracite aluminium elements
Warm white and glare-free LED light spots
Opening assist for door with two options:
1. Push-to-open function for integration into handleless furniture front
2. Pull-to-open function to facilitate opening the door using a handle
Flat stainless steel inner door, full-length
Almost invisible rail system for shelves and door racks for flexible positioning
Solid anthracite aluminium door racks
1 fresh cooling drawer close to 0 °C with manually adjustable temperature and 1 fresh cooling drawer with manually adjustable humidity
Integrated ice maker with fixed inlet water connection
Fully extendable freezer drawer with practical divider in anthracite
TFT touch display
Net volume 418 litres

Handling

TFT touch display operation.
Clear text display.

Technical Features

Dynamic cold air distribution.
Automatic defrosting with defrost water evaporation.
Cushioned door closing system.
Activated charcoal air filter.
Rest mode certified by Star-K.
When rest mode is active, the appliance can only be opened using a handle.
Open-door and malfunction alarm.
Home network integration for digital services (Home Connect) wireless via WiFi.
The use of the Home Connect functionality depends on the Home Connect services, which are not available in every country. For further information please check: home-connect.com.

Cooling

No-Frost technology with fast cooling.
Temperature adjustable from +2 °C to +8 °C.
3 safety glass shelves, white glass, 2 of which are individually adjustable in height.
4 brilliant LED light spots with warm white, glare-free light within cooling area and drawers.
Flat door rail system with fully flexible positioning of door racks.
3 height adjustable door racks, 1 of which is extra deep.
Net volume 281 litres.

Fresh cooling close to 0 °C

1 fully extendable fresh cooling drawer close to 0 °C with transparent front, illuminated.
Temperature can be adjusted manually.
Ideal for meat, fish and poultry.
Net volume 27 litres.

Fresh cooling

1 fully extendable fresh cooling drawer with transparent front, illuminated.
Humidity can be adjusted manually.
Ideal for fruit and vegetables.

Freezing

Characteristics

Built-in / Free-standing
Built-in
Number of compressors
2
Number of independent cooling systems
2
Width of the product (mm)
756
Height (mm)
2125
Depth of the product
608
Net weight (kg)
193.764
Required niche size for installation (HxWxD)
2134.0 x 762.0 x 610
Door panel options
Not possible
Door hinge
Right reversible
Number of Adjustable Shelves in fridge compartment
2
Shelves for Bottles
No
Frost free system
Full
Interior ventilator
Yes
Reversible Door Hinge
Yes
Length electrical supply cord (cm)
300
Noise level (dB)
42
Multi-Flow Air Tower
Yes
Fast cooling switch
Yes
Fast freezing switch
Yes
Carbon Air Filter
No
Temperature Controlled Drawer
No
Humidity Control Drawer
Yes
Number of Door Bins - Refrigerator
3
Door bin adjustability - Refrigerator
No
Tilt-out door bins in fridge
Number of Gallon storage
1
No. of shelves in fridge
3
Number of shelves - Freezer
Shelf Adjustability - Freezer
No
Capacity of Water Tank [l]

Consumption and connection features

Connection Rating (W)
300
Current (A)
10
Voltage (V)
220-240
Frequency (Hz)
50-60
Energy consumption (kWh)
Freezing capacity (kg)
Storage Period in Event of Power Failure (h)
17
Approval certificates
CE, VDE
Universal Product Code
Color / Material body
Colour.Material door
Door panel options
Not possible
Noise level (dB)
42
Total annual energy consumption (kWh)
Energy Star Qualified
No
Length of electrical supply cord (in)

No-frost technology with fast freezing at -30 °C.
Temperature adjustable from -16 °C to -24 °C.
4-star freezer compartment.
Freezing capacity 14 kg/24 h.
Storage time after a malfunction 17 h.
2 fully extendable inside drawers.
Interior lighting with 2 LED light spots, warm white light.
Net volume 110 litres.

Ice maker

Integrated in the freezer compartment, with fixed inlet water connection.
Particle filter for water inlet, integrated in ventilation grille area.
Can be switched off.
Ice cube production approx. 1.7 kg/24 h.
Removable ice storage container with approx. 3 kg capacity.

Consumption data

Energy efficiency class A+++ at a range of energy efficiency classes from A++ to D.
Energy consumption 301 kWh/year.
Noise level 42 dB (re 1 pW).

Planning notes

Flat hinge.
Door hinge right, reversible.
Door opening angle of 115°, fixable at 90°.
Max. door panel weight:
Door 41 kg.
Drawer 10 kg.
Shut-off valve for water connection must be planned next to the appliance and always be accessible.
If the water pressure exceeds 0.8 MPa (8 bar), connect pressure relief valve between water tap and hose set.

Connection

Total connected load 0.300 kW.
Connecting cable 3.0 m, pluggable.
Water inlet.
Supply hose 1.3 m with 3/4" connection.
Water pressure 2 to 8 bar.

RB472304

Vario fridge-freezer combination 400 series

With fresh cooling close to 0 °C

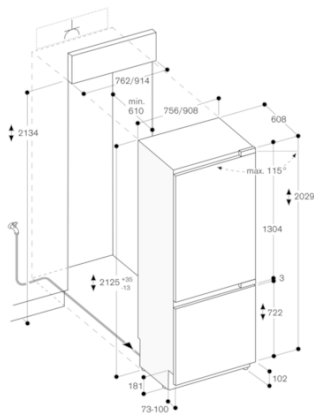
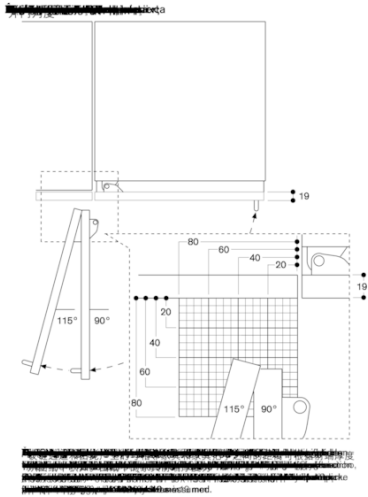
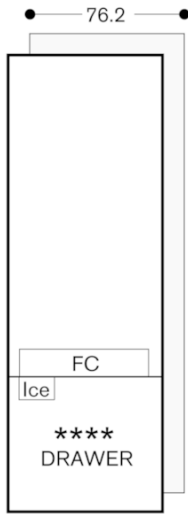
Fully integrated

Niche width 76.2 cm, Niche height 213.4 cm

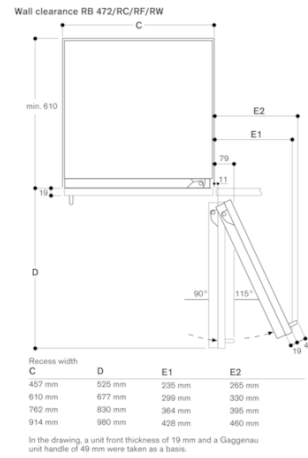
Cooling section with one door and one fully extendable freezing drawer

2019-03-21

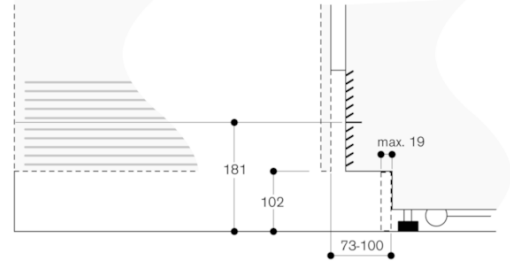
Page 2



The maximum door panel dimensions are based on a clearance of 3 mm.



Base detail



Based on the standard appliance height, the height of the plinth is 102 mm. Maximum plinth thickness 19 mm.

