



## RC289300

Vario refrigerator 200 series

With fresh cooling close to 0 °C

Fully integrated

Niche width 56 cm, Niche height 177.5 cm



Interior with precision-fitted, solid aluminium elements in Gaggenua Light Bronze

Extendable shelves and drawers

Intelligent lighting concept

3 climate zones incl. 3 fresh cooling drawers close to 0 °C

Height-adjustable, extendable safety glass shelves, set in solid aluminium profiles

Combines with freezer RF 287 (side-by-side integration)

Cushioned door closing system allowing a soft and controlled door closure

Smooth running fully extendable telescopic pull-out racks and a cushioned closing system allow a soft and controlled closure of the drawers

Solid maple bottle supports with magnetic connector

Total volume 289 litres

### Handling

Electronic temperature control with digital display.

Touch keys.

### Technical Features

Automatic defrosting with defrost water evaporation.

Cushioned door closing system from 20° door opening angle, integrated in door hinge.

Open-door and malfunction alarm.

Home network integration for digital services (Home Connect) wireless via WiFi.

The use of the Home Connect functionality depends on the Home Connect services, which are not available in every country. For further information please check: [home-connect.com](http://home-connect.com).

### Cooling

Fast cooling.

Temperature adjustable from +3 °C to +8 °C.

7 safety glass shelves, height adjustable, of which 1 is extendable.

1 frosted white glass shelf.

2 oiled, solid maple bottle supports with magnetic connector, can be increased to 5 supports per shelf.

A total of 9 bottles (based on a 0.75 l bottle) can be stored on one level using 5 bottle supports.

The bottle supports are also suitable for storing champagne bottles and magnums.

1 large aluminium door rack for bottles. 4 aluminium door racks.

Warm white interior lighting (3500 K) with integrated glare-free side lights. Volume 206 litres.

### Fresh cooling close to 0 °C

Drawers with solid aluminium handles and signature drawer front with a gradual frosted surface.

1 fully extendable fresh cooling drawer close to 0 °C, illuminated.

Humidity can be adjusted manually. Ideal for fruit and vegetables.

2 fully extendable fresh cooling drawers close to 0 °C, illuminated. Ideal for meat, fish and poultry.

Volume 83 litres.

### Consumption data

### Characteristics

Energy Efficiency Class (Regulation (EU) 2017/1369)  
D

Average annual energy consumption in kilowatt hour per year (kWh/a) (EU) 2017/1369  
120

Sum of volume of frozen compartments (EU 2017/1369)  
0

Sum of volume of chill compartments (EU 2017/1369)  
289

Airborne acoustical noise emissions (EU 2017/1369)  
36

Airborne acoustical noise emission class (EU 2017/1369)  
C

Built-in / Free-standing  
Built-in

Number of compressors  
1

Number of independent cooling systems  
1

Width of the appliance  
558

Height  
1772

Depth of the product  
545

Net weight  
71.8

Required niche size for installation (HxWxD)  
1775.0 x 560 x 550

Door panel options  
Not possible

Door hinge  
Right reversible

Number of Adjustable Shelves in fridge compartment  
6

Shelves for Bottles  
Yes

Frost free system  
No

Interior ventilator  
No

Reversible Door Hinge  
Yes

Length electrical supply cord  
230

Noise level  
36

Multi-Flow Air Tower  
No

Economy setting  
No

Cold technology  
1 compressor/1 cold circuit

Fast cooling switch  
Yes

Temperature Controlled Drawer  
No

Humidity Control Drawer  
Yes

Number of Door Bins - Refrigerator  
4

Door bin adjustability - Refrigerator  
No

Tilt-out door bins in fridge  
Yes

Gallon Storage  
Yes

Number of Gallon storage  
1

No. of shelves in fridge  
7

Motorized Shelf  
No

Material of the shelves  
Glas, plastic

Type of Light  
Door opened indicator freezer

Connection rating  
90

Fuse protection  
10

Voltage

Energy efficiency class D at a range of energy efficiency classes from A to G. Energy consumption 120 kWh/year. Noise level 36 dB (A) re 1 pW.

### Planning notes

Flat hinge.

Door hinge right, reversible.

Door opening angle of 115°, fixable at 90°.

Max. door panel weight 22 kg.

For a side-by-side installation every appliance must be planned in its own niche.

### Connection

Total connected load 0.090 KW.

Connecting cable 2.3 m with plug.

### Color Variants

RC289300

With fresh cooling close to 0 °C

Fully integrated

### Included accessories

2 x egg tray.

2 x wooden bottle holder magnetic.

### Optional accessories

RA238030

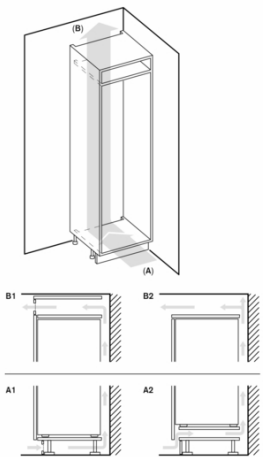
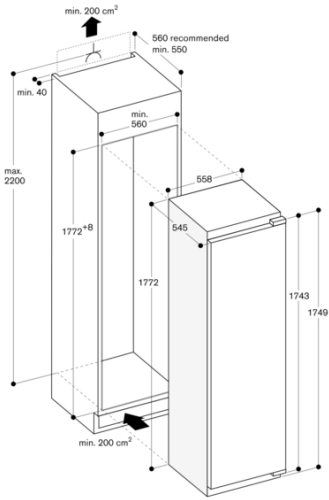
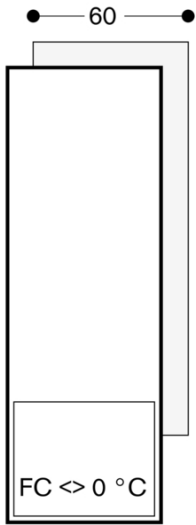
Solid maple bottle support with magnetic connector, oiled

RA430100

Storage container with transparent lid, anthracite.

# GAGGENAU

RC289300  
 Vario refrigerator 200 series  
 With fresh cooling close to 0 °C  
 Fully integrated  
 Niche width 56 cm, Niche height 177.5 cm  
 2022-02-25  
 Page 2



A: Air inlet  $\geq$  200 cm<sup>2</sup>; ventilation options A1 or A2  
 B: Air outlet  $\geq$  200 cm<sup>2</sup>; ventilation options B1 or B2