



**RC289370**  
**Vario refrigerator 200 series**  
**With fresh cooling close to 0 °C**  
**Fully integrated**  
**Niche width 56 cm, Niche height 177.5 cm**



Interior with precision-fitted, solid aluminium elements in Gaggenua Light Bronze

Opening assist for door:

1. Push-to-open function for integration into handleless furniture front 2. Door opening via voice assistant possible  
 Extendable shelves and drawers  
 3 climate zones incl. 3 fresh cooling drawers close to 0 °C  
 Height-adjustable, extendable safety glass shelves, set in solid aluminium profiles

Combines with freezer RF 287 (side-by-side integration)  
 Cushioned door closing system allowing a soft and controlled door closure  
 Smooth running fully extendable telescopic pull-out racks and a cushioned closing system allow a soft and controlled closure of the drawers  
 Solid maple bottle supports with magnetic connector  
 Total volume 289 litres

#### Handling

Electronic temperature control with digital display.  
 Touch keys.

#### Technical features

Automatic defrosting with defrost water evaporation.  
 Cushioned door closing system from 20° door opening angle, integrated in door hinge.  
 Open-door and malfunction alarm.

#### Selected digital services (Home Connect)

Remote control and monitoring.  
 Door opening via voice assistant.  
 Home network integration for digital services (Home Connect) wireless via WiFi.

The use of the Home Connect functionality depends on the Home Connect services, which are not available in every country. For further information please check: home-connect.com.

#### Cooling

Fast cooling.  
 Temperature adjustable from +3 °C to +8 °C.  
 6 height-adjustable safety glass shelves, partly extendable.  
 1 frosted white glass shelf.  
 2 oiled, solid maple bottle supports with magnetic connector, can be increased to 5 supports per shelf.  
 A total of 9 bottles (based on a 0.75 l bottle) can be stored on one level using 5 bottle supports.  
 The bottle supports are also suitable for storing champagne bottles and magnums.  
 1 large aluminium door rack for bottles.  
 3 aluminium door racks.  
 Warm white interior lighting (3500 K) with integrated glare-free LED side lights.  
 Volume 206 litres.

#### Fresh cooling close to 0 °C

Drawers with solid aluminium handles and signature drawer front with a gradual frosted surface.  
 1 fully extendable fresh cooling drawer close to 0 °C, illuminated.

#### Characteristics

<b>Gross weight</b>	176.000
<b>Energy Efficiency Class (Regulation (EU) 2017/1369)</b>	D
<b>Average annual energy consumption in kilowatt hour per year (kWh/a) (EU) 2017/1369</b>	120
<b>Sum of volume of frozen compartments (EU 2017/1369)</b>	0
<b>Sum of volume of chill compartments (EU 2017/1369)</b>	289
<b>Airborne acoustical noise emissions (EU 2017/1369)</b>	36
<b>Airborne acoustical noise emission class (EU 2017/1369)</b>	C
<b>Built-in / Free-standing</b>	Built-in
<b>Number of compressors</b>	1
<b>Number of independent cooling systems</b>	1
<b>Width of the appliance</b>	558
<b>Height</b>	1772
<b>Depth of the product</b>	545
<b>Net weight</b>	75.0
<b>Min. required niche size for installation (HxWxD)</b>	1775.0 x 560 x 550
<b>Door panel options</b>	Not possible
<b>Door hinge</b>	Right reversible
<b>Number of Adjustable Shelves in fridge compartment</b>	6
<b>Shelves for Bottles</b>	Yes
<b>Frost free system</b>	No
<b>Interior ventilator</b>	No
<b>Reversible Door Hinge</b>	Yes
<b>Length electrical supply cord</b>	230
<b>Noise level</b>	36
<b>Multi-Flow Air Tower</b>	No
<b>Economy setting</b>	No
<b>Cold technology</b>	1 compressor/1 cold circuit
<b>Fast cooling switch</b>	Yes
<b>Temperature Controlled Drawer</b>	No
<b>Humidity Control Drawer</b>	Yes
<b>Number of Door Bins - Refrigerator</b>	4
<b>Door bin adjustability - Refrigerator</b>	No
<b>Tilt-out door bins in fridge</b>	Yes
<b>Gallon Storage</b>	Yes
<b>Number of Gallon storage</b>	1
<b>No. of shelves in fridge</b>	7
<b>Motorized Shelf</b>	No
<b>Material of the shelves</b>	Glas, plastic
<b>Type of Light</b>	
<b>Door opened indicator freezer</b>	No
<b>Connection rating</b>	90
<b>Fuse protection</b>	

Humidity can be adjusted manually.  
 Ideal for fruit and vegetables.  
 2 fully extendable fresh cooling drawers close to 0 °C, illuminated.  
 Ideal for meat, fish and poultry.  
 Volume 83 litres.

#### Consumption data

Energy efficiency class D at a range of energy efficiency classes from A to G.  
 Energy consumption 120 kWh/year.  
 Noise level 36 dB (A) re 1 pW.

#### Planning notes

Flat hinge.  
 Door hinge right, reversible.  
 Door opening angle of 115°, fixable at 90°.  
 Max. door panel weight 27 kg.  
 For a side-by-side installation every appliance must be planned in its own niche.

#### Connection

Total connected load 0.090 KW.  
 Connecting cable 2.3 m with plug.

#### Color Variants

**RC289370**  
**With fresh cooling close to 0 °C**  
**Fully integrated**

#### Included accessories

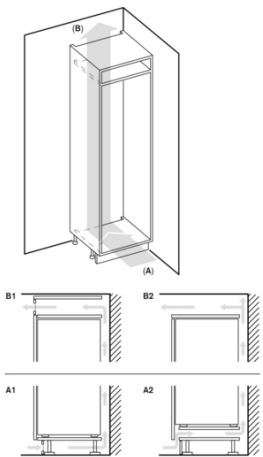
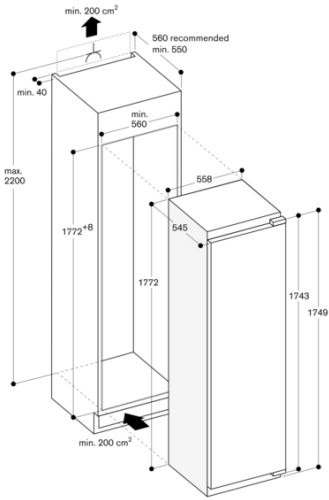
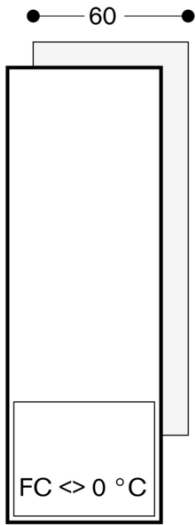
2 x egg tray.  
 2 x wooden bottle holder magnetic.  
 1 x Heavy-duty hinge support.

#### Optional accessories

**RA238030**  
**Solid maple bottle support with magnetic connector, oiled**  
**RA430100**  
**Storage container with transparent lid, anthracite.**

# GAGGENAU

RC289370  
 Vario refrigerator 200 series  
 With fresh cooling close to 0 °C  
 Fully integrated  
 Niche width 56 cm, Niche height 177.5 cm  
 2023-02-23  
 Page 2



A: Air inlet  $\geq 200 \text{ cm}^2$ ; ventilation options A1 or A2  
 B: Air outlet  $\geq 200 \text{ cm}^2$ ; ventilation options B1 or B2