



#### Color Variants

**RF287200**  
**Fully integrated**  
**Niche width 56 cm, Niche height 177.5 cm**

#### Included accessories

2 x cold accumulator.  
 1 x ice cube tray.

**RF287200**  
**Vario freezer 200 series**  
**Fully integrated**  
**Niche width 56 cm, Niche height 177.5 cm**



Interior with precision-fitted, solid aluminium elements in Gaggenau Light Bronze

Safety glass shelves, set in solid aluminium profiles  
 Drawers with solid aluminium handles and signature drawer front with a gradual frosted surface  
 Warm white interior lighting (3500 K) with integrated glare-free side lights  
 Direct access through partitioning with open storage areas  
 Combines with fridge RC 289 (side-by-side integration)  
 Combines with wine climate cabinet RW 282 (side-by-side integration)  
 Cushioned door closing system allowing a soft and controlled door closure  
 Total volume 212 litres

#### Handling

Electronic temperature control with temperature display.  
 Touch keys.

#### Technical Features

Dynamic cold air distribution.  
 Cushioned door closing system from 20° door opening angle, integrated in door hinge.  
 Open-door and malfunction alarm.  
 Home network integration for digital services (Home Connect) wireless via WiFi.  
 The use of the Home Connect functionality depends on the Home Connect services, which are not available in every country. For further information please check: home-connect.com.

#### Freezing

No-frost technology with fast freezing. Temperature adjustable from -14 °C to -24 °C.  
 4-star freezer compartment.  
 Freezing capacity 14 kg /24 h.  
 Storage time after a malfunction 9 h.  
 3 freezer drawers, 1 of which extra large, removable.  
 6 safety glass shelves, 3 of which are set in solid aluminium profiles, removable.

#### Consumption data

Energy efficiency class E at a range of energy efficiency classes from A to G. Energy consumption 235 kWh/year. Noise level 35 dB (A) re 1 pW.

#### Planning notes

Flat hinge.  
 Door hinge left, reversible.  
 Door opening angle of 115°, fixable at 90°.  
 Max. door panel weight 22 kg.  
 For a side-by-side installation every appliance must be planned in its own niche.

#### Connection

Total connected load 0.120 KW.  
 Connecting cable 2.3 m with plug.

#### Characteristics

**Energy Efficiency Class (Regulation (EU) 2017/1369)**  
 E

**Average annual energy consumption in kilowatt hour per year (kWh/a) (EU) 2017/1369**  
 235

**Sum of volume of frozen compartments (EU 2017/1369)**  
 212

**Airborne acoustical noise emissions (EU 2017/1369)**  
 35

**Airborne acoustical noise emission class (EU 2017/1369)**  
 B

**Product category**  
 Upright freezer

**Built-in / Free-standing**  
 Built-in

**Color / Material body**

**Frost free system**  
 Full

**Climate class**  
 SN-T

**Door panel options**  
 Not possible

**Width of the appliance**  
 558

**Depth of the product**  
 545

**Dimensions of the packed product (HxWxD)**  
 1840 x 640 x 610

**Required niche size for installation (HxWxD)**

**Warning signal / malfunction**  
 visual and audible

**Defrost process**

**Cover door installation system**  
 Fixed-mounted

**Number of drawers/baskets (Stck)**  
 3

**Number of freezing flaps (Stck)**  
 0

**Lockable door**  
 No

**Thermometer freeze section**  
 Digital

**Light**  
 Yes

**Length electrical supply cord**  
 230

**Door hinge**  
 Left reversible

**Net weight**  
 64.4

**Gross weight**  
 69.7

**Multi-Flow Air Tower**  
 No

**Number of compressors**  
 1

**Number of independent cooling systems**  
 1

**Economy setting**  
 No

**Fast freezing switch**  
 Yes

**Number of Door Bins - Freezer**

**Door bin adjustability - Freezer**  
 No

**Tilt-out door bins in freezer**  
 No

**Number of shelves - Freezer**  
 0

**Door bin adjustability - Freezer**  
 No

**Shelf Material - Freezer**  
 Safety glass

**Reversible Door Hinge**  
 Yes

**Connection rating**  
 120

**Fuse protection**  
 10

**Frequency**  
 50

**Approval certificates**  
 CE, G-Mark, VDE

**Enerav consumption**

# GAGGENAU

RF287200

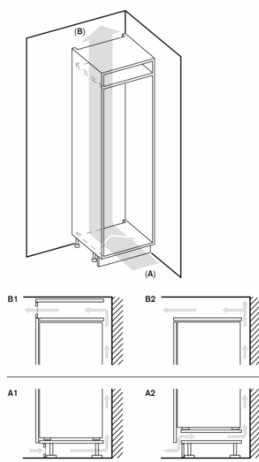
Vario freezer 200 series

Fully integrated

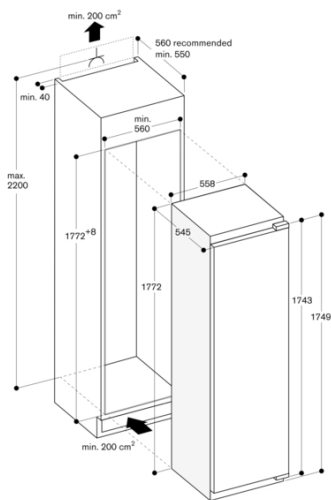
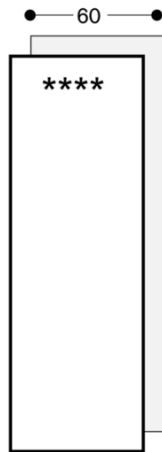
Niche width 56 cm, Niche height 177.5 cm

2022-02-26

Page 2



A: Air inlet  $\geq 200 \text{ cm}^2$ ; ventilation options A1 or A2  
B: Air outlet  $\geq 200 \text{ cm}^2$ ; ventilation options B1 or B2



**GAGGENAU**