



Color Variants

RF461305
Fully integrated, with ice maker
Niche width 61 cm, Niche height 213.4 cm

Included accessories

1 x ice cube scoop.
1 x connection set.
1 x Ice storage container.
large.

Optional accessories

RA448220
Ice storage container, small.
RA450012
Activated charcoal filter for water filter system

Installation Accessories

RA421610
Stainless steel door panel with handle
RA423140
Side trims, long.
RA425110
Handle bar, stainless steel, long
RA428610
Stainless steel door panel, handleless
RA460013
RA460020
Connecting element for vertically split appliance fronts (for a flush front).
RA464616
Ventilation grille stainless steel

RF461305
Vario freezer 400 series
Fully integrated, with ice maker
Niche width 61 cm, Niche height 213.4 cm



Stainless steel interior with solid anthracite aluminium elements
Warm white and glare-free LED light spots

Opening assist for door with two options:

1. Push-to-open function for integration into handleless furniture front

2. Pull-to-open function to facilitate opening the door using a handle

The drawers in the RC and RF models are positioned at the same height.
With side-by-side installation, the glass shelves and door racks can be aligned on the same level

Material and aesthetics of interior as for RC model

- Glass shelves
- Solid anthracite aluminium door racks
Flat stainless steel inner door, full-length

Almost invisible rail system for shelves and door racks for flexible positioning

Integrated ice maker with fixed inlet water connection
TFT touch display

Total volume 344 litres

Handling

TFT touch display operation.
Clear text display.

Technical Features

Dynamic cold air distribution.
Automatic defrosting with defrost water evaporation.

Cushioned door closing system.
Rest mode certified by Star-K.

When rest mode is active, the appliance can only be opened using a handle.
Open-door and malfunction alarm.
Home network integration for digital services (Home Connect) wireless via WiFi.

The use of the Home Connect functionality depends on the Home Connect services, which are not available in every country. For further information please check: home-connect.com.

Freezing

No-frost technology with fast freezing at -30 °C.
Temperature adjustable from -14 °C to -24 °C.

4-star freezer compartment.
Freezing capacity 19 kg /24 h.
Storage time after a malfunction 7 h.
4 safety glass shelves, white glass, 3 of which are individually height adjustable.
2 fully extendable drawers with transparent front.

Brilliant LED light spots with warm white, glare-free light (3500 K).
Flat door rail system with fully flexible positioning of door racks.
4 height-adjustable door racks.

Ice maker

Integrated in the freezer compartment, with fixed inlet water connection.
Particle filter for water inlet, integrated in ventilation grille area.
Saturation indicator shown in TFT touch display.
Can be switched off.
Ice cube production approx. 1.5 kg/24 h.

Characteristics

Energy Efficiency Class (Regulation (EU) 2017/1369)

F

Average annual energy consumption in kilowatt hour per year (kWh/a) (EU) 2017/1369

355

Sum of volume of frozen compartments (EU 2017/1369)

344

Airborne acoustical noise emissions (EU 2017/1369)

42

Airborne acoustical noise emission class (EU 2017/1369)

D

Product category

Upright freezer

Built-in / Free-standing

Built-in

Color / Material body

Frost free system

Full

Climate class

SN-T

Door panel options

Not possible

Width of the appliance

603

Depth of the product

608

Dimensions of the packed product (HxWxD)

2270 x 750 x 700

Required niche size for installation (HxWxD)

2134.0 x 610 x 610

Warning signal / malfunction

Defrost process

Cover door installation system

Fixed-mounted

Number of drawers/baskets (Stck)

2

Number of freezing flaps (Stck)

0

Lockable door

No

Thermometer freeze section

Light

Yes

Length electrical supply cord

300

Door hinge

Left reversible

Net weight

152.4

Gross weight

167.7

Multi-Flow Air Tower

Yes

Number of compressors

1

Number of independent cooling systems

1

Economy setting

Yes

Fast freezing switch

Yes

Number of Door Bins - Freezer

4

Door bin adjustability - Freezer

Yes

Tilt-out door bins in freezer

No

Number of shelves - Freezer

3

Door bin adjustability - Freezer

Yes

Shelf Material - Freezer

Safety glass

Reversible Door Hinge

Yes

Connection rating

300

Fuse protection

10

Frequency

50-60

Approval certificates

CE, VDE

Enerav consumption

Removable ice storage container with approx. 4 kg capacity.

Consumption data

Energy efficiency class F at a range of energy efficiency classes from A to G.
Energy consumption 355 kWh/year.
Noise level 42 dB (A) re 1 pW.

Planning notes

Flat hinge.

Door hinge left, reversible.

Door opening angle of 115°, fixable at 90°.

In case of door opening angle of 90° the standard ice storage container cannot be taken out. To make it possible it has to be exchanged for the small ice storage container (RA44822). This change must be done prior to fixing the door.

Max. door panel weight 41 kg.

Shut-off valve for water connection must be planned next to the appliance and always be accessible.

If the water pressure exceeds 0.8 MPa (8 bar), connect pressure relief valve between water tap and hose set.

Connection

Total connected load 0.300 KW.

Connecting cable 3.0 m, pluggable.

Water inlet.

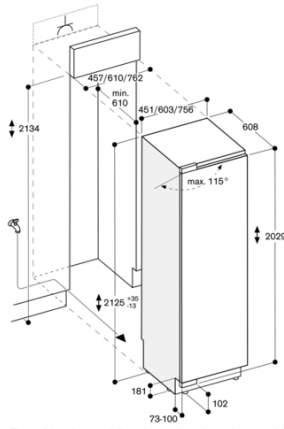
Supply hose 2.0 m with 3/4 " connection.

Water pressure 2 to 8 bar.

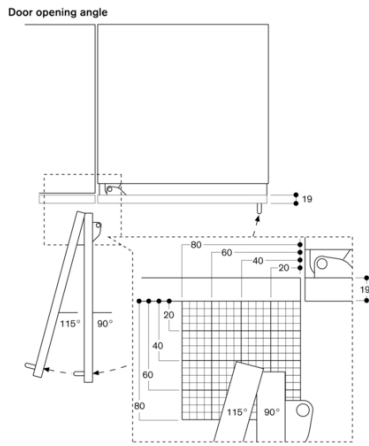
GAGGENAU

RF461305
 Vario freezer 400 series
 Fully integrated, with ice maker
 Niche width 61 cm, Niche height 213.4 cm

2022-03-03
 Page 2

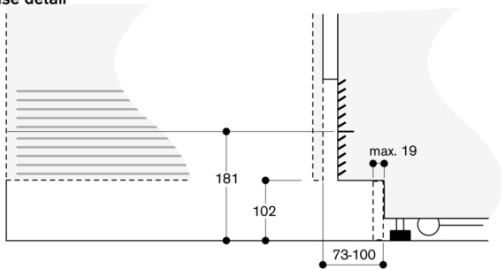


The maximum door panel dimensions are based on a clearance of 3 mm.

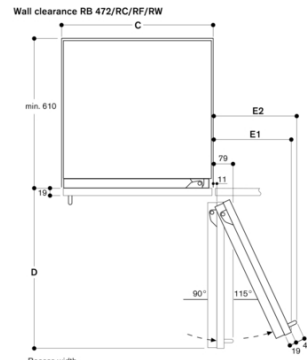


The hinge travel and resulting clearances from adjacent furniture units and handles can be found from the drawing while allowing for the thickness of the front panel. In the drawing, a furniture unit front panel thickness of 19 mm was assumed.

Base detail



Based on the standard appliance height, the height of the plinth is 102 mm. Maximum plinth thickness 19 mm.



Recess width	C	D	E1	E2
457 mm	525 mm	235 mm	265 mm	
610 mm	677 mm	299 mm	330 mm	
762 mm	830 mm	364 mm	395 mm	
914 mm	980 mm	428 mm	460 mm	

In the drawing, a unit front thickness of 19 mm and a Gaggenau unit handle of 49 mm were taken as a basis.

