



HBB 635 Conventional oven with HydroClean cleaning system in 60 cm



70L



A Energy Class



SoftClose

DESCRIPTION

Conventional oven with HydroClean cleaning system in 60 cm

LIFE STYLE

Easy

COLOURS



REFERENCE

REF. 111020012
EAN. 8434778002942



TEKA

HBB 635

FEATURES

Teka Hydroclean®PRO auto cleaning system

Multifunction - 8 cooking functions

Touch control with electronic timer

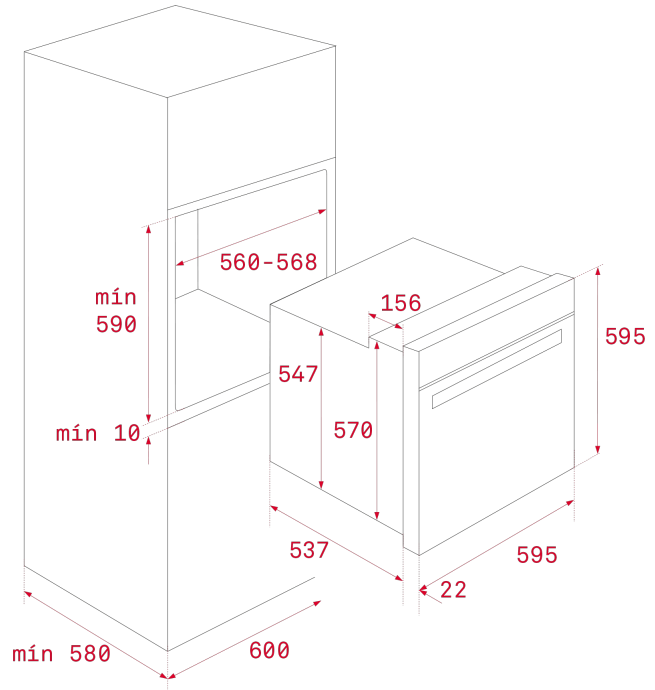
Chromed guides, five cooking levels

Fast heating

Double glazed door

Dynamic ventilation

Enamel deep tray and grid (with anti-tip system)



DIMENSIONS

Product height (mm): 595

Product width (mm): 595

Product depth (mm): 537+22

Net weight (Kg): 26

TECH SPECS

PARTICULAR CHARACTERISTICS

Energy Efficiency Index (EEI): 81

Energy consumption per cycle in conventional mode (kWh): 0.86

Number of cavities: 1

Energy consumption per cycle in fan-forced convection mode (kWh): 0,68

Fingerprint proof stainless steel: YA

Touch Control Programmer: YA

Chromed Tray Guides (levels): 5

Removable chromed tray guides: YA

Cooking Functions: 8

Grill: YA

MaxiGrill: YA

Bottom: YA

ECO: YA

Mechanical quick heating: YA

Inside light Consumption (W): 25

ELECTRIC CONNECTION

Frequency (Hz): 50/60

Power rate (V): 220-240

Cable Connection Length (cm): 110
Maximum Nominal Power (W): 2615

KONSUMSI ENERGI

Bottom Heating Element (W): 1150
Cooling Fan Motor (W): 18
Maximum power: 2550
Multifunction Turbo (W): 22
Grill (W): 1400
Maxi Grill (W): 2500

SECURITY SYSTEM

Grill protection: YA
Safety Thermostat: YA
Children safety block option: YA
Anti-tip tray system: YA
Full glazed doors: 2

CLEANING SYSTEM

Crystal Clean Enamel (Slippery): YA
Hydroclean PRO: YA

AKSESORIS

Standard grid: YA
Deep Tray (50 mm): YA

EFISIENSI ENERGI

Energy Efficiency Class: A+

