



Color Variants

VG231120F
Black control panel
Width 28 cm

Included accessories

1 x WOK attachment ring.

Optional accessories

VD200020
Black appliance cover
WP400001
Wok pan made of multiple-layer material

Installation Accessories

VV200010
Stainless steel connection strip for combination with other Vario appliances of the 200 series
VV200020
Black connection strip for combination with other Vario appliances of the 200 series

VG231120F

Vario gas wok 200 series
Black control panel
Width 28 cm
Liquid gas 28 - 37 mbar
Wok burner with up to 5.8 KW

Can be combined with the cooktops of the Vario 200 series to a harmonic unity Control panel for comfortable and secure operation
Mechanical power level regulation for 9 power levels, with exact setting and reproduction of flame size
Multi-ring burner of solid, heat-resistant brass as used in professional kitchen
Total output up to 5.8 KW

Cooking zones

1 multi-ring wok burner (300 W – 5800 W), suitable for pots up to max. ø 30 cm.

Handling

Control knobs with illuminated ring. Integrated control panel. One-handed operation. Electric ignition. To close the cover, the cast iron pan support can be easily reversed.

Features

Cast iron pan support.
Brass burner rings.

Safety

Thermoelectric safety pilot.
Residual heat indication.
Operation indicator.

Planning notes

Special nozzles for natural gas 20 mbar can be ordered as spare parts. Appliance can be snapped into the worktop from above. A minimum clearance of at least 150 mm from adjacent heat-sensitive furniture or contact surfaces must be observed or thermal insulation fitted. With a total connected load of more than 11 kW local regulations concerning room ventilation, room size and combination of extraction or recirculation hoods must be observed. Minimum clearance between gas cooktop(s) with more than 11 kW and ventilation hood 70 cm. Appliance weight: approx. 11 kg.

Connection

Total connected load gas 5.8 KW.
Total connected load electric 10 W.
Connecting cable 1.5 m with plug.

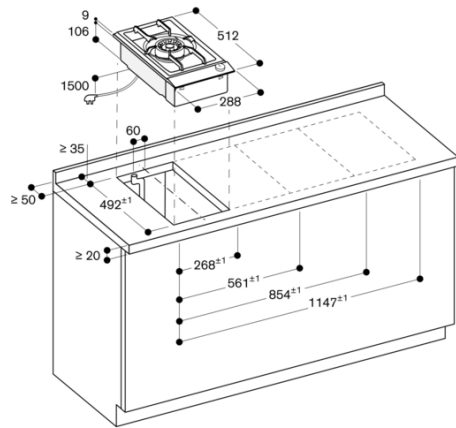
Characteristics

Product name/family
Vario/Domino gas hob w control
Built-in / Free-standing
Built-in
Energy input
Gas
Total number of positions that can be used at the same time
1
Required niche size for installation (HxWxD)
106 x 268 x 492
Width of the appliance
288
Dimensions
106 x 288 x 512
Dimensions of the packed product (HxWxD)
260 x 400 x 600
Net weight
10.918
Gross weight
12.1
Residual heat indicator
Separate
Location of control panel
Hob front
Basic surface material
brushed stainless steel
Color of surface
Stainless steel
Color of frame
Stainless steel
Approval certificates
VDE
Length electrical supply cord
150
Connection rating
10
Gas connection rating
5800
Fuse protection
10
Voltage
220-240
Frequency
60; 50

Consumption and connection features

2021-12-21
Page 1

VG231120F
Vario gas wok 200 series
Black control panel
Width 28 cm
Liquid gas 28 - 37 mbar
Wok burner with up to 5.8 KW
2021-12-21
Page 2



Minimum distance from the appliance cut-out to the side wall 150 mm.
measurements in mm

