



#### Color Variants

VG232120F  
Black control panel  
Width 28 cm

#### Optional accessories

VD200020  
Black appliance cover

#### Installation Accessories

VV200010  
Stainless steel connection strip for combination with other Vario appliances of the 200 series  
VV200020  
Black connection strip for combination with other Vario appliances of the 200 series

#### VG232120F

Vario gas cooktop 200 series

Black control panel

Width 28 cm

Liquid gas 28 - 37 mbar

Can be combined with the cooktops of the Vario 200 series to a harmonic unity Control panel for comfortable and secure operation  
Mechanical power level regulation for 9 power levels, with exact setting and reproduction of flame size  
Solid smooth-surface cast pan supports for easy and safe positioning of cookware

#### Cooking zones

1 high output burner (560 W - 3000 W), suitable for pots up to max.  $\varnothing$  22 cm.  
1 standard burner (380 W - 1900 W), suitable for pots up to max.  $\varnothing$  20 cm.

#### Handling

Control knobs with illuminated ring.  
Integrated control panel.  
One-handed operation.  
Electric ignition.

#### Features

Cast pan support with continuous pot surface.  
Enamelled burner cover.

#### Safety

Thermoelectric safety pilot.  
Residual heat indication.  
Operation indicator.

#### Planning notes

Special nozzles for natural gas 20 mbar can be ordered as spare parts.  
Appliance can be snapped into the worktop from above.  
A minimum clearance of at least 150 mm from adjacent heat-sensitive furniture or contact surfaces must be observed or thermal insulation fitted.  
With a total connected load of more than 11 kW local regulations concerning room ventilation, room size and combination of extraction or recirculation hoods must be observed.  
Minimum clearance between gas cooktop(s) with more than 11 kW and ventilation hood 70 cm.  
Appliance weight: approx. 9 kg.

#### Connection

Total connected load gas 4.9 KW.  
Total connected load electric 10 W.  
Connecting cable 1.5 m with plug.

#### Characteristics

##### Product name/family

Vario/Domino gas hob w control

##### Built-in / Free-standing

Built-in

##### Energy input

Gas

##### Total number of positions that can be used at the same time

2

##### Required niche size for installation (HxWxD)

106 x 268 x 492

##### Width of the appliance

288

##### Dimensions

106 x 288 x 512

##### Dimensions of the packed product (HxWxD)

260 x 400 x 600

##### Net weight

8.733

##### Gross weight

9.9

##### Residual heat indicator

Separate

##### Location of control panel

Hob front

##### Basic surface material

brushed stainless steel

##### Color of surface

Stainless steel

##### Color of frame

Stainless steel

##### Approval certificates

VDE

##### Length electrical supply cord

150

##### Connection rating

10

##### Gas connection rating

4900

##### Fuse protection

10

##### Voltage

220-240

##### Frequency

60; 50

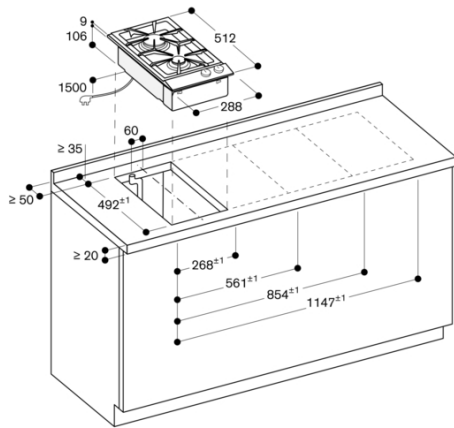
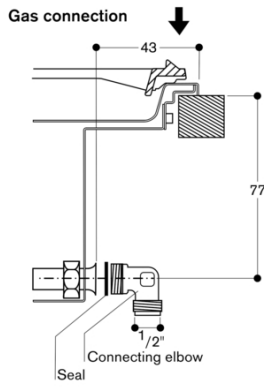
#### Consumption and connection features

2021-12-21

Page 1

VG232120F  
Vario gas cooktop 200 series  
Black control panel  
Width 28 cm  
Liquid gas 28 - 37 mbar

2021-12-21  
Page 2



Minimum distance from the appliance cut-out to the side wall 150 mm.  
measurements in mm