



Color Variants

VG264120F
Black control panel
Width 60 cm

Installation Accessories

VV200010
Stainless steel connection strip for combination with other Vario appliances of the 200 series

VV200020
Black connection strip for combination with other Vario appliances of the 200 series

VG264120F
Vario gas cooktop 200 series
Black control panel
Width 60 cm
Liquid gas 28 - 37 mbar

Can be combined with the cooktops of the Vario 200 series to a harmonic unity Control panel for comfortable and secure operation
Mechanical power level regulation for 9 power levels, with exact setting and reproduction of flame size
Solid smooth-surface cast pan supports for easy and safe positioning of cookware
Up to 9.8 KW on 4 burners

Cooking zones

2 high output burner (560 W - 3000 W), suitable for pots up to max. ø 22 cm.
2 standard burners (380 W – 1900 W), suitable for pots up to max. ø 20 cm.

Handling

Control knobs with illuminated ring.
Integrated control panel.
One-handed operation.
Electric ignition.

Features

Two-part cast iron pan support with continuous pot surface.
Enamelled burner cover.

Safety

Thermoelectric safety pilot.
Residual heat indication.
Operation indicator.

Planning notes

Special nozzles for natural gas 20 mbar can be ordered as spare parts.
No intermediate shelf required.
Appliance can be snapped into the worktop from above.
A minimum lateral clearance of at least 150 mm from adjacent heat-sensitive furniture or contact surfaces must be observed or thermal insulation fitted.
With a total connected load of more than 11 kW local regulations concerning room ventilation, room size and combination of extraction or recirculation hoods must be observed.
Minimum clearance between gas cooktop(s) with more than 11 kW and ventilation hood 70 cm.
Appliance weight: approx. 15 kg.

Connection

Total connected load gas 9.8 KW.
Total connected load electric 10 W.
Connecting cable 1.5 m with plug.

Characteristics

Product name/family
gas hob w integrated controls

Built-in / Free-standing
Built-in

Energy input
Gas

Total number of positions that can be used at the same time
4

Required niche size for installation (HxWxD)
106 x 560 x 492

Width of the appliance
580

Dimensions
106 x 580 x 512

Dimensions of the packed product (HxWxD)
250 x 600 x 780

Net weight
15.382

Gross weight
16.7

Residual heat indicator
Separate

Location of control panel
Hob front

Basic surface material
brushed stainless steel

Color of surface
Stainless steel

Color of frame
Stainless steel

Approval certificates
VDE

Length electrical supply cord
150

Connection rating
10

Gas connection rating
9800

Fuse protection
10

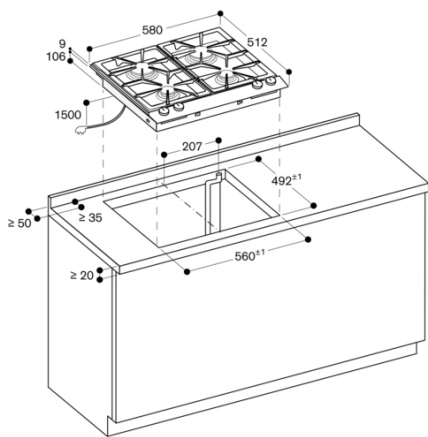
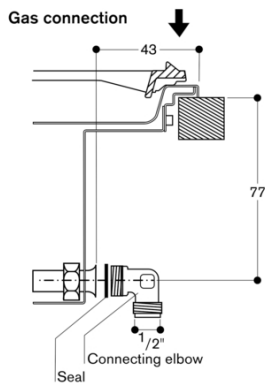
Voltage
220-240

Frequency
50; 60

Consumption and connection features

2021-12-21
Page 1

VG264120F
Vario gas cooktop 200 series
Black control panel
Width 60 cm
Liquid gas 28 - 37 mbar
2021-12-21
Page 2



Minimum distance from the appliance cut-out to the side wall 150 mm.
measurements in mm