



VG491111F
Vario gas cooktop 400 series
Stainless steel
Width 90 cm
Liquid gas 28 - 37 mbar

Five multi-ring burners, up to 17.8 kW
Full electronic power level regulation on 12 levels
Precise and reproducible flame size
Automatic fast ignition, electronic flame monitoring with automatic re-ignition
Simmer function for cooking on a very low output level
Solid smooth-surface cast iron pan supports
Solid stainless steel control knob
Precision crafted 3 mm stainless steel
For surface mounting with a visible edge or for flush mounting
Can be combined perfectly with other Vario appliances of the 400 series

Cooking zones

1 multi-ring wok burner (300 W – 5800 W), suitable for pots up to max. ø 32 cm.
2 two-ring high output burners (165 W – 4000 W), suitable for pots up to max. ø 28 cm.
2 two-ring standard burners (165 W – 2000 W), suitable for pots up to max. ø 24 cm.

Handling

Control knobs with illuminated ring, cooking zone and output level markings.
One-handed operation.
Full electronic control in 12 output levels for exact power level regulation plus simmer function.
Automatic fast ignition.

Features

Simmer function.
Three-part cast iron pan support with flat, continuous pot surface.
Brass burner rings.

Safety

Electronic flame monitoring with automatic re-ignition.
Residual heat indication.
Safety shut-off.

Planning notes

Depending on the type of installation (surface-mounted or flush-mounted, with or without an appliance cover), the specific location of the cut-out and the knob positions may vary.
The horizontal positioning of the knobs may be aligned with the specific burners.
The drawing "Installation of the control knob" must be observed if the panel is more than 23 mm thick (there must be a recess at the rear).
If combining several Vario appliances of the 400 series, a connection strip VA 420 must be placed between the appliances. Depending on the type of installation, the corresponding connection strip must be provided.
The bearing capacity and stability, in the case of thinner worktops in particular, must be supported using suitable substructures. Take into account the appliance weight and additional loads.
Additional instructions for flush mounting:

Characteristics

Product name/family	gas hob w integrated controls
Built-in / Free-standing	Built-in
Energy input	Gas
Total number of positions that can be used at the same time	5
Required niche size for installation (HxWxD)	141 x 887 x 492
Width of the appliance	908
Dimensions	141 x 908 x 520
Dimensions of the packed product (HxWxD)	300 x 700 x 1010
Net weight	31.927
Gross weight	34.7
Residual heat indicator	Separate
Location of control panel	External control
Basic surface material	brushed stainless steel
Color of surface	Stainless steel, Stainless steel
Color of frame	Stainless steel, Stainless steel
Approval certificates	CE, Eurasian, G-Mark, VDE
Length electrical supply cord	140
Connection rating	15
Gas connection rating	17800
Fuse protection	2
Voltage	220-240
Frequency	50; 60

Consumption and connection features

2021-12-19
Page 1

Installation is possible in worktops made of stone, synthetics or solid wood. Heat resistance and watertight sealing of the cut edges must be observed. Concerning other materials please consult the worktop manufacturer.

The groove must be continuous and even, so that uniform placing of the appliance on the gasket is ensured. Do not use discontinuous lining.

The joint width may vary due to size tolerances of the combinations and of the worktop cut-out.

If installing several appliances in individual cut-outs allow for a division bar of minimum 50 mm between the individual cut-outs.

Special nozzles can be ordered as spare parts.

Plan for an electrical connection (the appliance is not operable without power supply).

Air intake from above.

No intermediate shelf required.

Rear panel and wall trims must be heat-resistant and consist of a non-flammable material.

A minimum lateral clearance of at least 300 mm from adjacent heat-sensitive furniture or contact surfaces must be observed or thermal insulation fitted. Installation in a 90 cm wide lower cabinet is required.

The combination with VL 414 is not recommended, since the air extraction from the centre burner cannot be guaranteed due to the distance.

With a total connected load of more than 11 kW local regulations concerning room ventilation, room size and combination of extraction or recirculation hoods must be observed. Minimum clearance between gas cooktop(s) with more than 11 kW and ventilation hood 70 cm.

Appliance can be snapped into the worktop from above.

Appliance weight: approx. 32 kg.

Connection

Total connected load gas 17.8 kW.
Total connected load electric 15 W.
Connecting cable 1.4 m with plug.

Color Variants

VG491111F
Stainless steel
Width 90 cm

Included accessories

1 x WOK attachment ring.

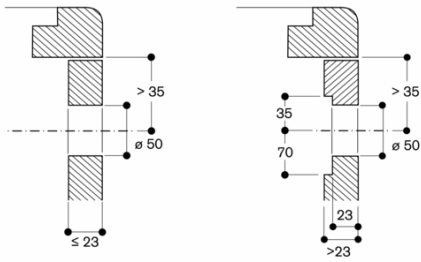
Optional accessories

WP400001
Wok pan made of multiple-layer material

Installation Accessories

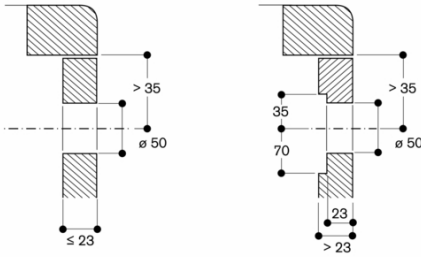
VA420004
Connection strip for combination with other Vario appliances of the 400 series for flush mounting
VA420010
Connection strip for combination with other Vario appliances of the 400 series for surface mounting

Installation of the control knob; flush installation

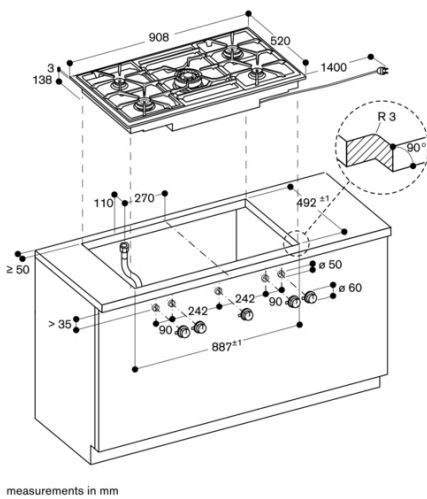


measurements in mm

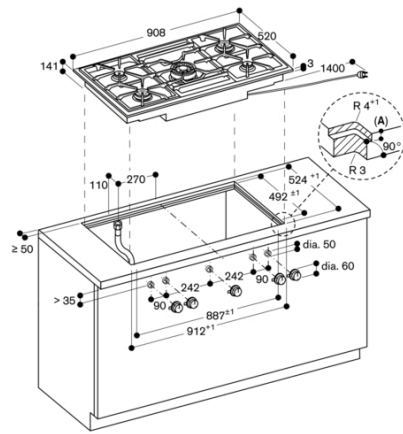
Installation of the control knob; surface mounting



measurements in mm

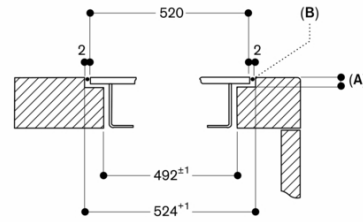


measurements in mm



A: $3.5^{+0.5}$
 $6.5^{+0.5}$ in combinations with frameless induction hobs
 measurements in mm

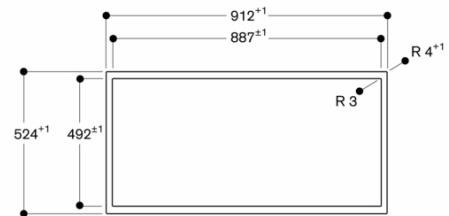
Cross-section



A: $3.5^{+0.5}$
 $6.5^{+0.5}$ in combinations with frameless induction hobs
 B: Fill with silicone

measurements in mm

View from above



measurements in mm

VG491111F

Vario gas cooktop 400 series

Stainless steel

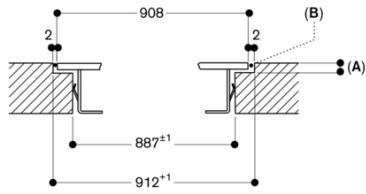
Width 90 cm

Liquid gas 28 - 37 mbar

2021-12-19

Page 3

Longitudinal section



- A: $3.5^{+0.5}$
 $6.5^{+0.5}$ in combinations with frameless induction hobs
- B: Fill with silicone

measurements in mm