

**VI242120**  
**Vario flex induction cooktop 200 series**  
**Black control panel**  
**Width 38 cm**

Can be combined with the cooktops of the Vario 200 series to a harmonic unity Control panel for comfortable and secure operation

**Cooking zones**  
2 flex induction cooking areas 24x19 cm (2200 W, with booster 3700 W), linked together 24x38 cm (3300 W, with booster 3700 W).

**Handling**  
Control knobs with illuminated ring. Integrated control panel. Electronic power control in 9 output levels.

**Features**  
Cooking area marking. Flex function for rectangular cooking areas. Frying sensor function. Pot detection. Booster function for both cooking areas.

**Safety**  
Residual heat indication. Operation indicator. Safety shut-off.

**Planning notes**  
Operates with magnetic (induction) iron pots and pans only. For an optimal heat distribution, the use of sandwich bottom cookware is recommended. Appliance can be snapped into the worktop from above. Appliance weight: approx. 9 kg.

**Connection**  
Total connected load 3.7 KW. Connecting cable 1.5 m without plug.

**Characteristics**  
**Product name/family**  
Vario/Domino cooking zone cera  
**Built-in / Free-standing**  
Built-in  
**Energy input**  
Electric  
**Total number of positions that can be used at the same time**  
2  
**Required niche size for installation (HxWxD)**  
50 x 360 x 492  
**Width of the appliance**  
380  
**Dimensions**  
50 x 380 x 512  
**Dimensions of the packed product (HxWxD)**  
185 x 495 x 605  
**Net weight**  
8.733  
**Gross weight**  
9.6  
**Residual heat indicator**  
Separate  
**Location of control panel**  
Hob front  
**Basic surface material**  
Ceramic  
**Color of surface**  
Black, Stainless steel  
**Color of frame**  
Stainless steel  
**Approval certificates**  
AENOR, CE  
**Length electrical supply cord**  
150  
**Connection rating**  
3700  
**Gas connection rating**  
**Fuse protection**  
**Voltage**  
220-240  
**Frequency**  
50; 60

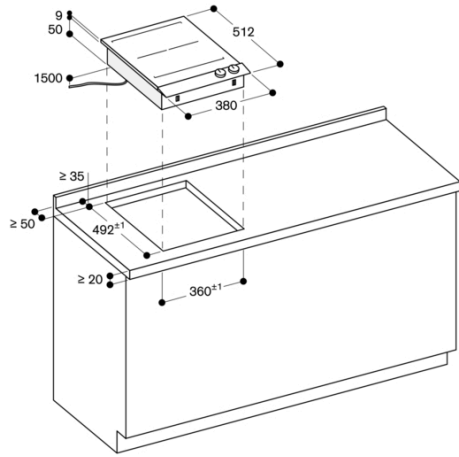
**Consumption and connection features**  
2021-12-27  
Page 1

**Color Variants**  
VI242120  
Black control panel  
Width 38 cm

**Included accessories**  
1 x glass scraper.

**Optional accessories**  
CA051300  
Teppan Yaki plate made of multi ply material  
CA052300  
Griddle plate in cast aluminium  
GP900001  
Stainless steel frying sensor pan  
GP900002  
Stainless steel frying sensor pan  
GP900003  
Stainless steel frying sensor pan

**Installation Accessories**  
VV200010  
Stainless steel connection strip for combination with other Vario appliances of the 200 series  
VV200020  
Black connection strip for combination with other Vario appliances of the 200 series



measurements in mm