



VI262120
Vario flex induction cooktop 200 series
Black control panel
Width 60 cm

Can be combined with the cooktops of the Vario 200 series to a harmonic unity Control panel for comfortable and secure operation

Cooking zones

2 flex induction cooking areas 23x19 cm (2200 W, with booster 3700 W), linked together 23x38 cm (3300 W, with booster 3700 W).
2 flex induction cooking areas 23x19 cm (2200 W, with booster 3700 W), linked together 23x38 cm (3300 W, with booster 3700 W).

Handling

Control knobs with illuminated ring. Integrated control panel. Electronic power control in 9 output levels.

Features

Cooking area marking.
Flex function for rectangular cooking areas.
Frying sensor function.
Pot detection.
Booster function for each cooking area.

Safety

Residual heat indication.
Operation indicator.
Safety shut-off.

Planning notes

Operates with magnetic (induction) iron pots and pans only. For an optimal heat distribution, the use of sandwich bottom cookware is recommended. Appliance can be snapped into the worktop from above.
Appliance weight: approx. 17 kg.

Connection

Total connected load 7.4 KW.
Connecting cable 1.5 m without plug.

Characteristics

Product name/family
Cooking zone ceramic

Construction type
Built-in

Energy input
Electric

Total number of positions that can be used at the same time
4

Type of control setting devices
Required niche size for installation (HxWxD)
50 x 560-560 x 492-492

Width of the appliance
580

Dimensions
50 x 580 x 512

Dimensions of the packed product (HxWxD)
200 x 690 x 600

Net weight
16.611

Gross weight
17.4

Residual heat indicator
Separate

Location of control panel
Hob front

Type of external control possibility
Basic surface material
Ceramic

Color of surface
Black, Stainless steel

Color of frame
Stainless steel

Approval certificates
AENOR, CE

Length electrical supply cord
150

Knob Material
Full metal

Sealed Burners
No

heating with booster
All

Type of pan support
Natural Gas Connection Rating
LP Gas Connection Rating

Dimension of 1st heating element (in)
Power of heating element (kW)
Power of 1st burner
Dimension of 2nd heating element (in)
Power of 2nd heating element (kW)
3.3
Power of 2nd burner
Dimension of 3rd heating element (in)
Power of 3rd heating element (kW)
Power of 3rd burner (BTU)
Dimension of 4th heating element (in)
Power of 4th heating element (kW)
Power of 4th burner (BTU)
Dimension of 5th heating element (in)
Power of 5th heating element (kW)
Power of 5th burner
Dimension of 6th heating element (in)
Power of heating element (kW in boost)
3.7
Power of 3rd heating element (kW in boost)
Power of 4th heating element (kW in boost)
Power of 5th heating element (kW in boost)
Power of 6th heating element (kW in boost)
3.7

Connection rating
7400

Gas connection rating
Fuse protection

Voltage
220-240

Frequency
50; 60

Universal Product Code
Main colour of product
Black

Energy input
Electric

Gas tune

Color Variants

VI262120
Black control panel
Width 60 cm

Included accessories

1 x glass scraper.

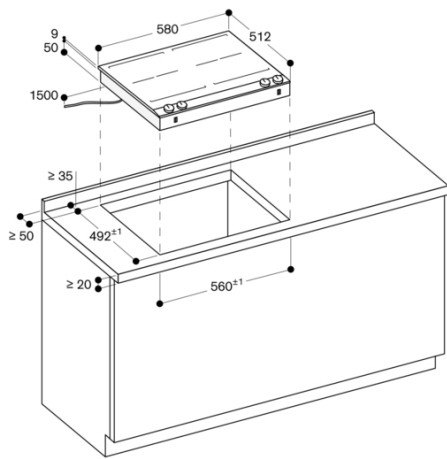
Optional accessories

CA051300
Teppan Yaki plate made of multi ply material
CA052300
Griddle plate in cast aluminium
GP900001
Stainless steel frying sensor pan
GP900002
Stainless steel frying sensor pan
GP900003
Stainless steel frying sensor pan

Installation Accessories

VV200010
Stainless steel connection strip for combination with other Vario appliances of the 200 series
VV200020
Black connection strip for combination with other Vario appliances of the 200 series

GAGGENAU



measurements in mm