



Color Variants

VI414113
Stainless steel frame
Width 38 cm

Optional accessories

GP900001
Stainless steel frying sensor pan
GP900002
Stainless steel frying sensor pan
GP900003
Stainless steel frying sensor pan
GP900004
Stainless steel frying sensor pan
WP400001
Wok pan made of multiple-layer material
WZ400000
Wok attachment for wok pan

Installation Accessories

VA420004
Connection strip for combination with other Vario appliances of the 400 series for flush mounting
VA420010
Connection strip for combination with other Vario appliances of the 400 series for surface mounting

VI414113
Vario induction cooktop 400 series
Stainless steel frame
Width 38 cm

32 cm cooking zone with booster function
Ideal for the original wok pan with round bottom, with wok ring
Frying sensor function for temperature control in pans
Easy control of all functions with bicoloured display
Solid stainless steel control knob
Precision crafted 3 mm stainless steel
For surface mounting with a visible edge or for flush mounting
Can be combined perfectly with other Vario appliances of the 400 series

Cooking zones

1 induction cooking zone \varnothing 21 cm (2200 W, with booster 3700 W), automatically switches to \varnothing 26 cm (2600 W, with booster 3700 W) and to \varnothing 32 cm (3300 W, with booster 3700 W).

Handling

Control knobs with illuminated ring, cooking zone and output level markings.
Electronic power control in 12 output levels.
User friendly control with bicoloured display (white / orange).

Features

Frying sensor function.
Booster function.
Stopwatch.
Short-term timer.
Options menu.
Power management.
Cooktop-based ventilation control (with suitable hood).
Home network integration for digital services (Home Connect) wireless via WiFi.
The use of the Home Connect functionality depends on the Home Connect services, which are not available in every country. For further information please check: home-connect.com.

Safety

Operation indicator.
Pot detection.
2-stage residual heat indication.
Safety shut-off.

Planning notes

Depending on the type of installation (surface-mounted or flush-mounted), the specific location of the cut-out and the knob positions may vary.
The drawing "Installation of the control knob" must be observed if the panel is more than 23 mm thick (there must be a recess at the rear).
If combining several Vario appliances of the 400 series, a connection strip VA 420 must be placed between the appliances. Depending on the type of installation, the corresponding connection strip must be provided.
The bearing capacity and stability, in the case of thinner worktops in particular, must be supported using suitable substructures. Take into account the appliance weight and additional loads.
Additional instructions for flush mounting:

Characteristics

Product name/family
Vario/Domino cooking zone cera

Built-in / Free-standing
Built-in

Energy input
Electric

Total number of positions that can be used at the same time
1

Required niche size for installation (HxWxD)
57 x 360 x 490-500

Width of the appliance
380

Dimensions
130 x 380 x 520

Dimensions of the packed product (HxWxD)
130 x 580 x 610

Net weight
9.672

Gas weight
10.7

Residual heat indicator
Separate

Location of control panel
External control

Basic surface material
Ceramic

Color of surface
Black, Stainless steel

Color of frame
Stainless steel

Approval certificates
AENOR, CE

Length electrical supply cord
150

Connection rating
3700

Gas connection rating

Fuse protection
16

Voltage
220-240

Frequency
50; 60

Consumption and connection features

2021-12-15
Page 1

Installation is possible in worktops made of stone, synthetics or solid wood. Heat resistance and watertight sealing of the cut edges must be observed. Concerning other materials please consult the worktop manufacturer.

The groove must be continuous and even, so that uniform placing of the appliance on the gasket is ensured. Do not use discontinuous lining.

The joint width may vary due to size tolerances of the combinations and of the worktop cut-out.

If installing several appliances in individual cut-outs allow for a division bar of minimum 50 mm between the individual cut-outs.

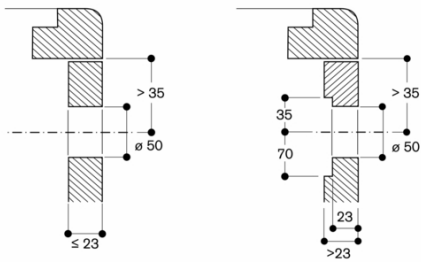
Operates with magnetic (induction) iron pots and pans only. For an optimal heat distribution, the use of sandwich bottom cookware is recommended.

Appliance can be snapped into the worktop from above.
Appliance weight: approx. 10 kg.

Connection

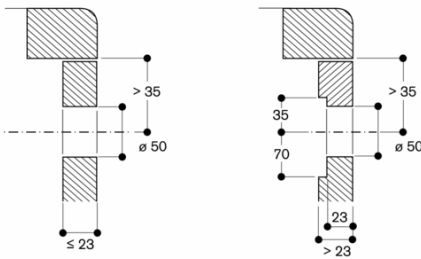
Total connected load 3.7 KW.
Connecting cable 1.5 m without plug.
Power consumption standby/display off 0.5 W.
Power consumption standby/network 1.4 W.
Please check the user manual for how to switch off the WiFi module.

Installation of the control knob; flush installation

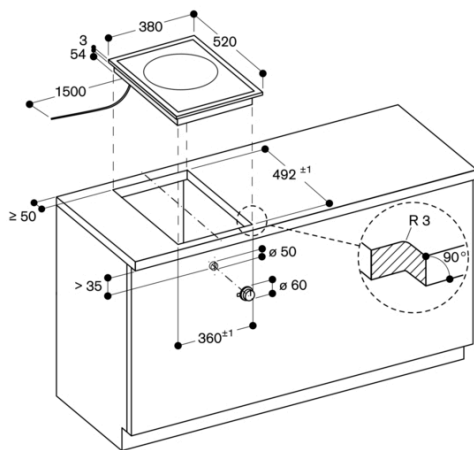


measurements in mm

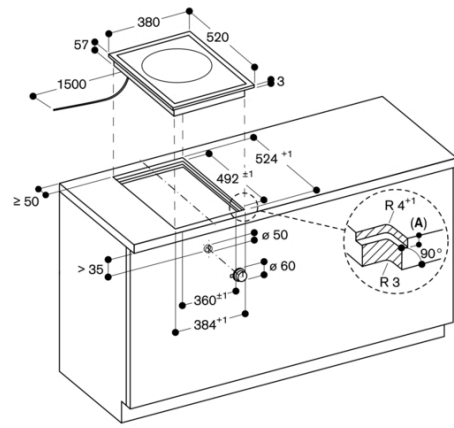
Installation of the control knob; surface mounting



measurements in mm

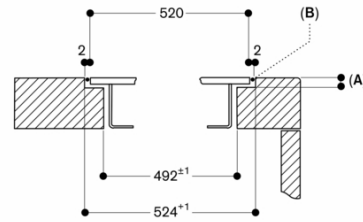


measurements in mm



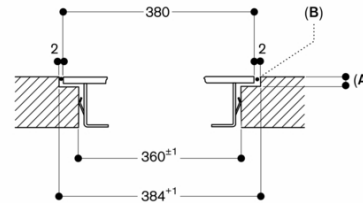
A: $3.5^{0.5}$
 measurements in mm

Cross-section

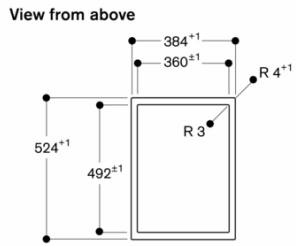


A: $3.5^{0.5}$
 B: Fill with silicone
 measurements in mm

Longitudinal section



A: $3.5^{0.5}$
 B: Fill with silicone
 measurements in mm



measurements in mm