



Color Variants

VI422113

Stainless steel frame

Width 38 cm

Optional accessories

CA051300

Teppan Yaki plate made of multi ply material

CA052300

Griddle plate in cast aluminium

GP900001

Stainless steel frying sensor pan

GP900002

Stainless steel frying sensor pan

GP900003

Stainless steel frying sensor pan

Installation Accessories

VA420004

Connection strip for combination with other Vario appliances of the 400 series for flush mounting

VA420010

Connection strip for combination with other Vario appliances of the 400 series for surface mounting

VI422113

Vario flex induction cooktop 400 series

Stainless steel frame

Width 38 cm

Flex function for combining the rectangular cooking areas
Free positioning of cookware inside combined cooking areas
Frying sensor function for temperature control in pans
Easy control of all functions with bicoloured display
Solid stainless steel control knob
Precision crafted 3 mm stainless steel
For surface mounting with a visible edge or for flush mounting
Can be combined perfectly with other Vario appliances of the 400 series

Cooking zones

2 flex induction cooking areas 24x19 cm (2200 W, with booster 3700 W), linked together 24x38 cm (3300 W, with booster 3700 W).

Handling

Control knobs with illuminated ring, cooking zone and output level markings.
Electronic power control in 12 output levels.
User friendly control with bicoloured display (white / orange).

Features

Flex function for rectangular cooking areas.
Frying sensor function.
Booster function.
Stopwatch.
Short-term timer.
Options menu.
Power management.
Cooktop-based ventilation control (with suitable hood).
Home network integration for digital services (Home Connect) wireless via WiFi.
The use of the Home Connect functionality depends on the Home Connect services, which are not available in every country. For further information please check: home-connect.com.

Safety

Operation indicator.
Pot detection.
2-stage residual heat indication.
Safety shut-off.

Planning notes

Depending on the type of installation (surface-mounted or flush-mounted), the specific location of the cut-out and the knob positions may vary.
The horizontal positioning of the knobs may be aligned with the specific cooking areas.
The drawing "Installation of the control knob" must be observed if the panel is more than 23 mm thick (there must be a recess at the rear).
If combining several Vario appliances of the 400 series, a connection strip VA 420 must be placed between the appliances. Depending on the type of installation, the corresponding connection strip must be provided.
The bearing capacity and stability, in the case of thinner worktops in particular, must be supported using suitable substructures. Take into account the appliance weight and additional loads.
Additional instructions for flush mounting:

Characteristics

Product name/family

Vario/Domino cooking zone cera

Built-in / Free-standing

Built-in

Energy input

Electric

Total number of positions that can be used at the same time

2

Required niche size for installation

(HxWxD)

57 x 360 x 490-500

Width of the appliance

380

Dimensions

57 x 380 x 520

Dimensions of the packed product

(HxWxD)

120 x 580 x 600

Net weight

9.871

Gross weight

10.9

Residual heat indicator

Separate

Location of control panel

External control

Basic surface material

Ceramic

Color of surface

Black, Stainless steel

Color of frame

Stainless steel

Approval certificates

AENOR, CE

Length electrical supply cord

150

Connection rating

3700

Gas connection rating

16

Fuse protection

16

Voltage

220-240

Frequency

50; 60

Consumption and connection features

2021-12-18

Page 1

Installation is possible in worktops made of stone, synthetics or solid wood. Heat resistance and watertight sealing of the cut edges must be observed. Concerning other materials please consult the worktop manufacturer.

The groove must be continuous and even, so that uniform placing of the appliance on the gasket is ensured. Do not use discontinuous lining.

The joint width may vary due to size tolerances of the combinations and of the worktop cut-out.

If installing several appliances in individual cut-outs allow for a division bar of minimum 50 mm between the individual cut-outs.

Operates with magnetic (induction) iron pots and pans only. For an optimal heat distribution, the use of sandwich bottom cookware is recommended.

Appliance can be snapped into the worktop from above.

Appliance weight: approx. 10 kg.

Connection

Total connected load 3.7 KW.

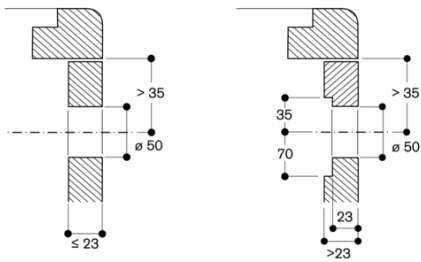
Connecting cable 1.5 m without plug.

Power consumption standby/display off 0.5 W.

Power consumption standby/network 1.4 W.

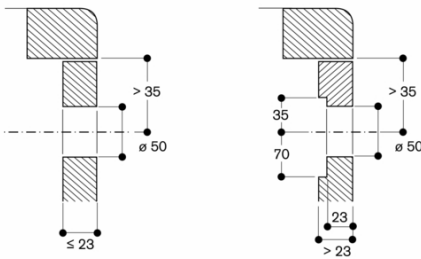
Please check the user manual for how to switch off the WiFi module.

Installation of the control knob; flush installation



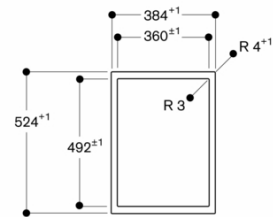
measurements in mm

Installation of the control knob; surface mounting

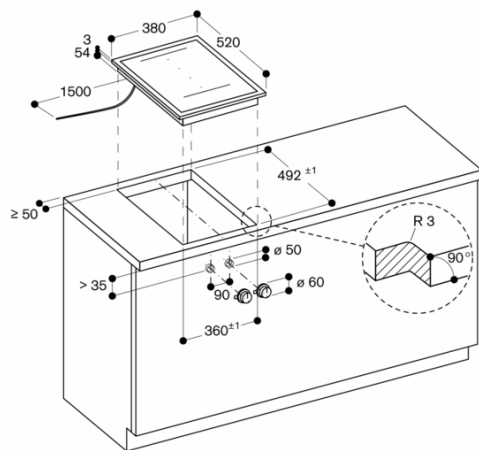


measurements in mm

View from above

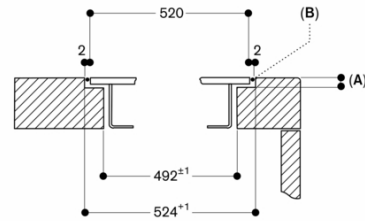


measurements in mm



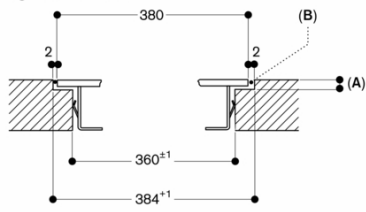
measurements in mm

Cross-section



A: 3.5^{0.5}
 B: Fill with silicone
 measurements in mm

Longitudinal section



A: 3.5^{0.5}
B: Fill with silicone
measurements in mm