



VI422115

Optional accessories

CA051300:

Teppan Yaki (large)

CA052300:

Griddle Plate

GP900001:

System pan diameter 15 cm

GP900002:

System pan diameter 19 cm

GP900003:

Frying sensor pan Ø 21 cm

Installation accessories

CKI420000:

2 knobs, induction, black

CKI420010:

2 knobs, induction, stainless steel

VA420004:

Connecting strip Serie 400, flush, short

VA420010:

Connecting strip Serie 400, top, short

Vario flex induction cooktop 400 series

38 cm

VI422115

Flex function for combining the rectangular cooking areas

Free positioning of cookware inside combined cooking areas

Solid stainless steel knob, also selectable with black robust finishing, for precise control and personalisation

Precision crafted 3 mm stainless steel

For surface mounting with a visible edge or for flush mounting

Can be combined perfectly with other Vario appliances of the 400 series

Cooking zones

2 flex induction cooking areas 24x19 cm (2200 W, with booster 3700 W), linked together 24x38 cm (3300 W, with booster 3700 W).

Handling

Control knobs with illuminated ring, cooking zone and output level markings.

Electronic power control in 12 output levels.

User friendly control with bicoloured display (white / orange).

Features

Flex function for rectangular cooking areas.

Frying sensor function.

Booster function.

Stopwatch.

Short-term timer.

Options menu.

Power management.

Selected digital services (Home Connect)

Cooktop-based ventilation control (with suitable hood).

Remote monitoring.

Remote diagnostics.

Home network integration for digital services (Home Connect) wireless via WiFi.

The use of the Home Connect functionality depends on the Home Connect services, which are not available in every country. For further information please check: home-connect.com.

Safety

Operation indicator.

Pot detection.

2-stage residual heat indication.

Safety shut-off.

Planning notes

Depending on the type of installation (surface-mounted or flush-mounted), the specific location of the cut-out and the knob positions may vary.

The horizontal positioning of the knobs may be aligned with the specific cooking areas.

The drawing "Installation of the control knob" must be observed if the panel is more than 23 mm thick (there must be a recess at the rear).

If combining several Vario appliances of the 400 series, a connection strip VA 420 must be placed between the appliances. Depending on the type of installation, the corresponding connection strip must be provided.

The bearing capacity and stability, in the case of thinner worktops in particular, must be supported using suitable substructures. Take into account the appliance weight and additional loads.

Additional instructions for flush mounting:

Installation is possible in worktops made of stone, synthetics or solid wood. Heat resistance and watertight sealing of the cut edges must be observed. Concerning other materials please consult the worktop manufacturer.

The groove must be continuous and even, so that uniform placing of the appliance on the gasket is ensured. Do not use discontinuous lining.

The joint width may vary due to size tolerances of the combinations and of the worktop cut-out.

If installing several appliances in individual cut-outs allow for a division bar of minimum 50 mm between the individual cut-outs.

Operates with magnetic (induction) iron pots and pans only. For an optimal heat distribution, the use of sandwich bottom cookware is recommended.

Appliance can be snapped into the worktop from above.

Appliance weight: approx. 9 kg.

Connection

Total connected load 3.7 KW.

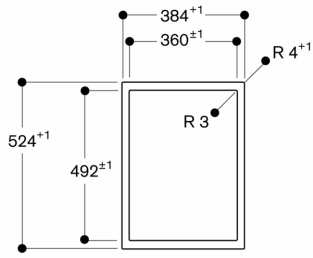
Connecting cable 1.5 m without plug.

Power consumption standby/display off 0.5 W.

Power consumption standby/network 1.4 W.

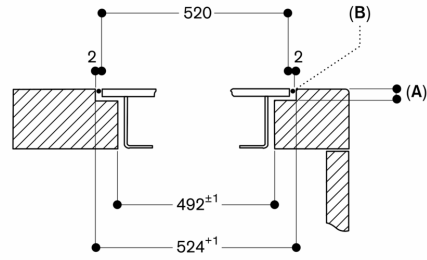
Please check the user manual for how to switch off the WiFi module.

View from above



measurements in mm

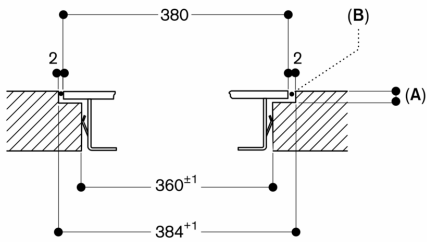
Cross-section



A: 3.5^{0.5}
B: Fill with silicone

measurements in mm

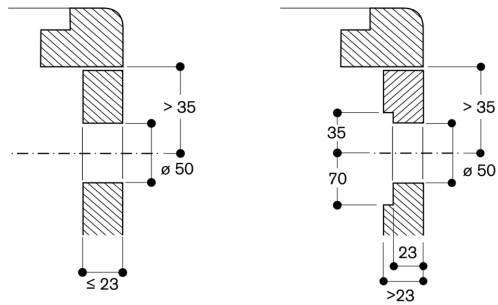
Longitudinal section



A: 3.5^{0.5}
B: Fill with silicone

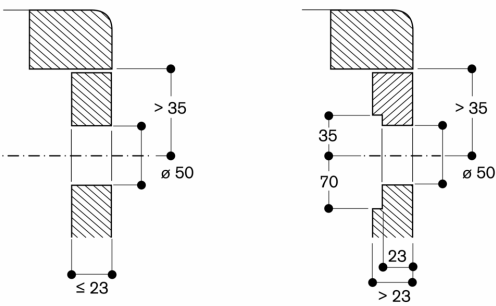
measurements in mm

Installation of the control knob; flush installation

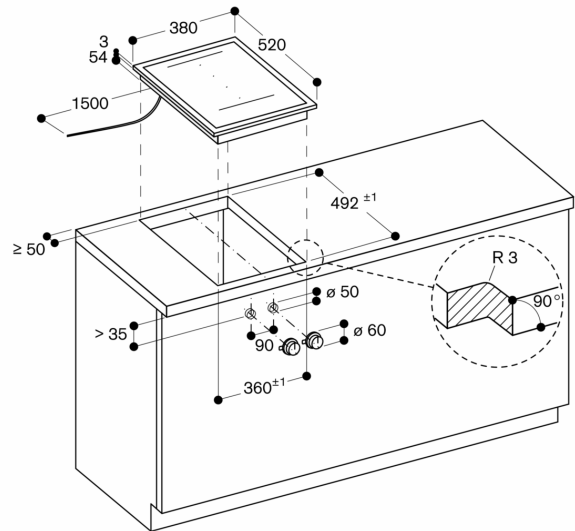


measurements in mm

Installation of the control knob; surface mounting



measurements in mm



measurements in mm

