



Color Variants

VI462113

Stainless steel frame

Width 60 cm

Optional accessories

CA051300

Teppan Yaki plate made of multi ply material

CA052300

Griddle plate in cast aluminium

GP900001

Stainless steel frying sensor pan

GP900002

Stainless steel frying sensor pan

GP900003

Stainless steel frying sensor pan

GP900004

Stainless steel frying sensor pan

Installation Accessories

VA420004

Connection strip for combination with other Vario appliances of the 400 series for flush mounting

VA420010

Connection strip for combination with other Vario appliances of the 400 series for surface mounting

VI462113

Vario flex induction cooktop 400 series

Stainless steel frame

Width 60 cm

Flex function for combining the rectangular cooking areas
Free positioning of cookware inside combined cooking areas with automatic extension up to 30 cm width
Frying sensor function for temperature control in pans
Easy control of all functions with bicoloured display
Solid stainless steel control knob
Precision crafted 3 mm stainless steel
For surface mounting with a visible edge or for flush mounting
Can be combined perfectly with other Vario appliances of the 400 series

Cooking zones

2 flex induction cooking areas 23x19 cm (2200 W, with booster 3700 W), linked together 23x38 cm (3300 W, with booster 3700 W), with automatic extension up to 30x30 cm (3300 W, with booster 3700 W).

2 flex induction cooking areas 23x19 cm (2200 W, with booster 3700 W), linked together 23x38 cm (3300 W, with booster 3700 W).

Handling

Control knobs with illuminated ring, cooking zone and output level markings.
Electronic power control in 12 output levels.
User friendly control with bicoloured display (white / orange).

Features

Flex function for rectangular cooking areas.
Frying sensor function.
Booster function.
Stopwatch.
Short-term timer.
Options menu.
Power management.
Cooktop-based ventilation control (with suitable hood).
Home network integration for digital services (Home Connect) wireless via WiFi.
The use of the Home Connect functionality depends on the Home Connect services, which are not available in every country. For further information please check: home-connect.com.

Safety

Operation indicator.
Pot detection.
2-stage residual heat indication.
Safety shut-off.

Planning notes

Depending on the type of installation (surface-mounted or flush-mounted), the specific location of the cut-out and the knob positions may vary.
The horizontal positioning of the knobs may be aligned with the specific cooking areas.
The drawing "Installation of the control knob" must be observed if the panel is more than 23 mm thick (there must be a recess at the rear).
If combining several Vario appliances of the 400 series, a connection strip VA 420 must be placed between the appliances. Depending on the type of installation, the corresponding connection strip must be provided.

Characteristics

Product name/family

Cooking zone ceramic

Construction type

Built-in

Energy input

Electric

Total number of positions that can be used at the same time

4

Type of control setting devices

Required niche size for installation (HxWxD)

57 x 568-570 x 491-493

Width of the appliance

590

Dimensions

57 x 590 x 520

Dimensions of the packed product (HxWxD)

123 x 875 x 610

Net weight

17.163

Gross weight

18.7

Residual heat indicator

Separate

Location of control panel

External control

Type of external control possibility

Basic surface material

Ceramic

Color of surface

Black, Stainless steel

Color of frame

Stainless steel

Approval certificates

AENOR, CE

Length electrical supply cord

150

Knob Material

Full metal

Sealed Burners

No

heating with booster

All

Type of pan support

Natural Gas Connection Rating

LP Gas Connection Rating

Dimension of 1st heating element (in)

Power of heating element (kW)

Power of 1st burner

Dimension of 2nd heating element (in)

Power of 2nd heating element (kW)

3.3

Power of 2nd burner

Dimension of 3rd heating element (in)

Power of 3rd heating element (kW)

Power of 3rd burner (BTU)

Dimension of 4th heating element (in)

Power of 4th heating element (kW)

Power of 4th burner (BTU)

Dimension of 5th heating element (in)

Power of 5th heating element (kW)

Power of 5th burner

Dimension of 6th heating element (in)

Power of heating element (kW in boost)

3.7

Power of 3rd heating element (kW in boost)

Power of 4th heating element (kW in boost)

Power of 5th heating element (kW in boost)

Power of 6th heating element (kW in boost)

3.7

Connection rating

7400

Gas connection rating

Fuse protection

2*16

Voltage

220-240

Frequency

50; 60

Universal Product Code

Main colour of product

Black

Energy input

Electric

The bearing capacity and stability, in the case of thinner worktops in particular, must be supported using suitable substructures. Take into account the appliance weight and additional loads.

Additional instructions for flush mounting:

Installation is possible in worktops made of stone, synthetics or solid wood. Heat resistance and watertight sealing of the cut edges must be observed. Concerning other materials please consult the worktop manufacturer.

The groove must be continuous and even, so that uniform placing of the appliance on the gasket is ensured. Do not use discontinuous lining.

The joint width may vary due to size tolerances of the combinations and of the worktop cut-out.

If installing several appliances in individual cut-outs allow for a division bar of minimum 50 mm between the individual cut-outs.

Operates with magnetic (induction) iron pots and pans only. For an optimal heat distribution, the use of sandwich bottom cookware is recommended. The wok pan WP 400 001 cannot be used with this appliance.

Appliance can be snapped into the worktop from above.

Appliance weight: approx. 17 kg.

Connection

Total connected load 7.4 kW.

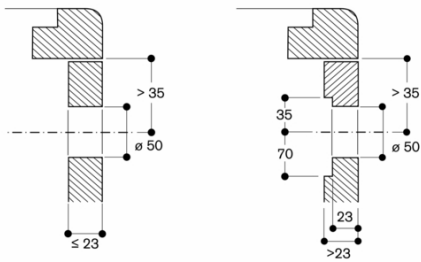
Connecting cable 1.5 m without plug. Power consumption standby/display off 0.5 W.

Power consumption standby/network 1.7 W.

Please check the user manual for how to switch off the WiFi module.

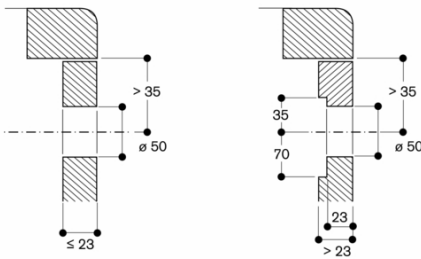
GAGGENAU

Installation of the control knob; flush installation

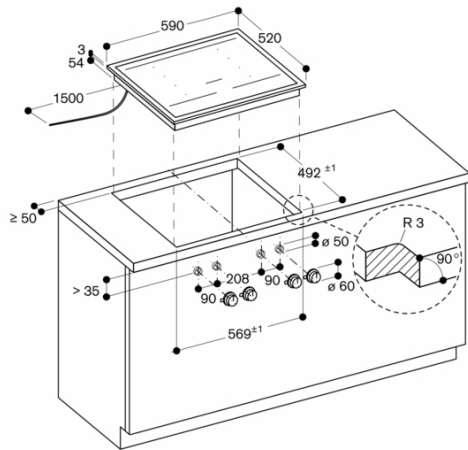


measurements in mm

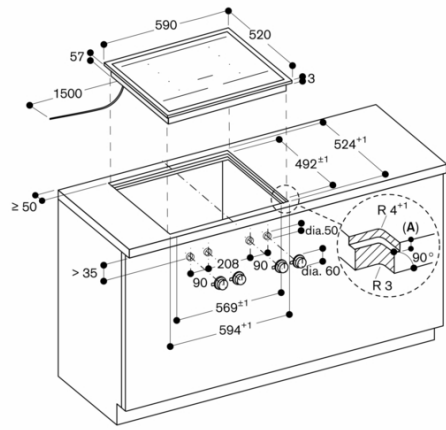
Installation of the control knob; surface mounting



measurements in mm

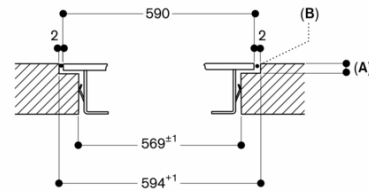


measurements in mm



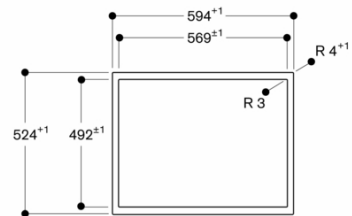
A: 3.5^{0.5}
 measurements in mm

Longitudinal section



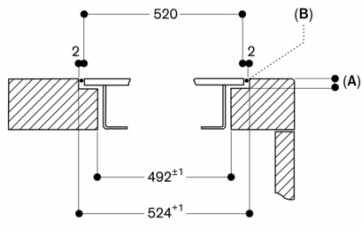
A: 3.5^{0.5}
 B: Fill with silicone
 measurements in mm

View from above



measurements in mm

Cross-section



A: $3.5^{0.5}$
B: Fill with silicone
measurements in mm