



VL200120
Vario downdraft ventilation 200 series
Black control panel
Width 15 cm
Air extraction / Air recirculation
Motorless



Can be combined with the cooktops of the Vario 200 series to a harmonic unity Highly efficient ventilation system at the cooktop integrated in the worktop Function for automatic, sensor-controlled power adjustment depending on the build-up of cooking vapours Minimal planning and easy installation Low-noise system with the motor AR 410 110 Air extraction or air recirculation system

Output
 Power levels depend on the remote fan unit.

Features
 Control knobs with illuminated ring. 3 electronically controlled power levels and 1 intensive mode. Automatic sensor-controlled performance adjustment of the ventilation system. Automatic sensor-controlled or manual run-on function. Large-scale metal grease filter with high grease absorption. Removable, dishwasher-safe grease filter unit. Grease filter and activated charcoal filter saturation indicator. Airflow-optimised interior for efficient air circulation. Interval ventilation, 6 min. Enamelled ventilation grille, dishwasher-safe. Air exhaust bend included in delivery. Overflow 250 ml capacity.

Consumption data
 Consumption data is referred to a configuration with the remote fan unit AR 403 122. Energy efficiency class A at a range of energy efficiency classes from A+++ to D. Energy consumption 48.3 kWh/year. Ventilation efficiency class A. Illumination efficiency class -. Grease filter efficiency class B. Sound level min. 56 dB / max. 71 dB normal mode.

Planning notes
 For each VL one remote fan unit is recommended. Maximum cooktop width between two VL: 60 cm. If installed next to gas appliances, the ventilation moulding LS 041 001 is recommended to ensure maximum performance of the cooktop. When having installed the ventilation moulding LS 041 001 the wok pan WP 400 001 can not be used. When installing a ventilation hood with air extraction mode and a chimney-vented fireplace, the power supply line of the ventilation appliance needs a suitable safety switch. Air recirculation is not recommended in combination with Vario electric grill. Please read additional planning notes on page xx.

Connection
 Connecting cable 1.7 m between VL and remote fan unit.

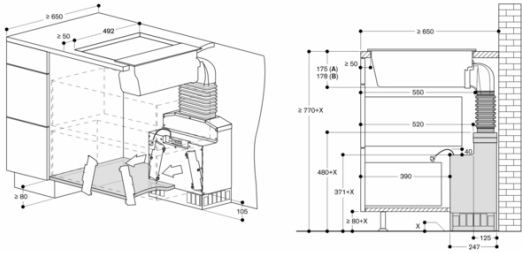
Characteristics
Product name/family
Color chimney
Typology
 Downdraft
Approval certificates
 Australia Standards, CE, Eurasian, G-Mark, VDE
Length electrical supply cord
 170
Required niche size for installation (HxWxD)
 175mm x 170.0mm x 492mm
Height of the chimney
Height of product, without chimney
Net weight
 7.147
Type of control
 Electronic
Number of speed settings
Maximum output air extraction
 550
Boost position output recirculating
Maximum output recirculating air
Boost position air extraction
Number of lights
Noise level
 71
Diameter of air outlet
Grease filter material
Odour filter
 No
Operating Mode
 Convertible
Delay Shut off modes
Required accessories
Optional accessories
 LS041001
Type of lamps used
Total power of the lamps
Grease filter type
 Kasette
Clean filter reminders
Connection rating
Fuse protection
Voltage
 220-240
Frequency
 60; 50
Plug type
Installation typology
 Built-in
Universal Product Code
 825225951148
Material body
 Alu
Approval certificates
 Australia Standards, CE, Eurasian, G-Mark, VDE
Length of electrical supply cord (in)
Plug type
Dimensions of the product, with chimney (if exists) (in)
 / x 5 7/8" x 20 3/16"
Dimensions of the packed product
 11.81 x 15.74 x 23.62
Height of the chimney (in)
Vertical rise height
Required distance above cooktop/ ranges
Net weight
 16.000
Gross weight
 21.000
Motor location
 without motor
Maximum output recirculating air
Diameter of air duct (in) top
Diameter of air duct (in) back
Discharge direction
 downward
No-return airflow flap
 No
Length electrical supply cord
 170
Dimensions of the product, with chimney (if exists)
 x 150.0 x 512.0
Dimensions of the packed product (HxWxD)
 300 x 400 x 600

Color Variants
 VL200120
 Black control panel
 Width 15 cm

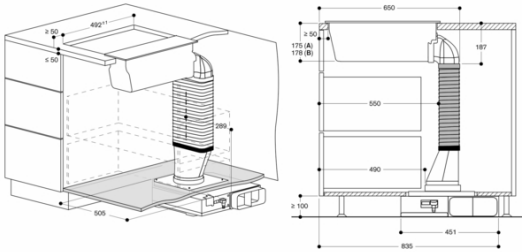
Optional accessories
 LS041001
 Ventilation moulding for VL 200 next to gas appliance

Installation Accessories
 AD410040
 Flexibel connecting piece for VL 200 / VL 414
 DN 150 flat
 AD851041
 Connecting piece VL 200 / VL 414 for extension with flat duct DN 150 for extra deep worktop
 VV200010
 Stainless steel connection strip for combination with other Vario appliances of the 200 series
 VV200020
 Black connection strip for combination with other Vario appliances of the 200 series

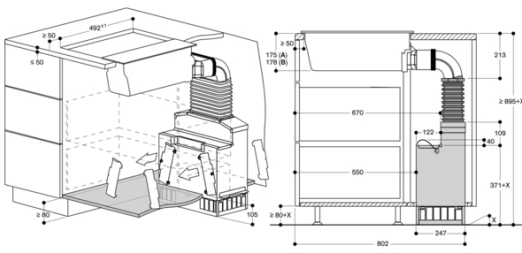
VL200120
 Vario downdraft ventilation 200 series
 Black control panel
 Width 15 cm
 Air extraction / Air recirculation
 Motorless
 2022-01-01
 Page 2



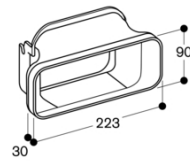
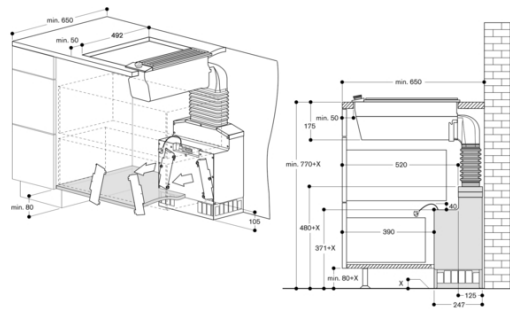
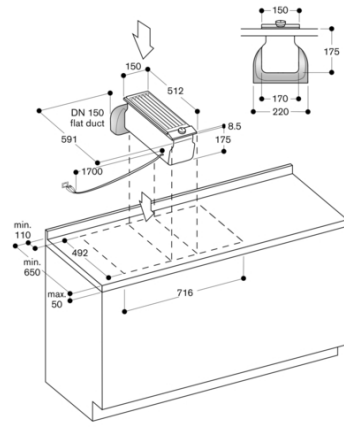
A: Surface mounting
 B: Flush mounting (only VL414)
 measurements in mm



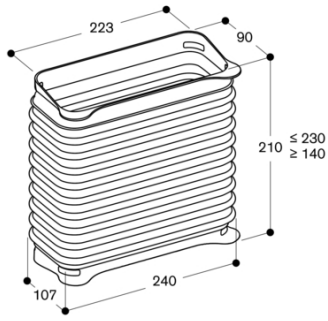
A: Surface mounting
 B: Flush mounting (only VL414)
 measurements in mm



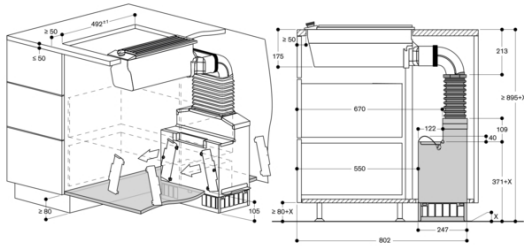
A: Surface mounting
 B: Flush mounting (only VL414)
 measurements in mm



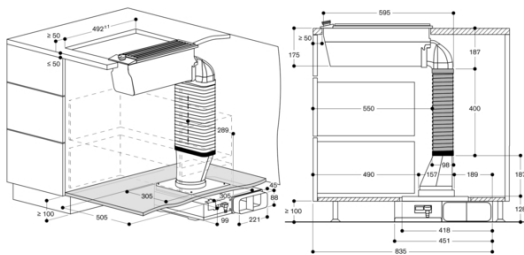
VL200120
 Vario downdraft ventilation 200 series
 Black control panel
 Width 15 cm
 Air extraction / Air recirculation
 Motorless
 2022-01-01
 Page 3



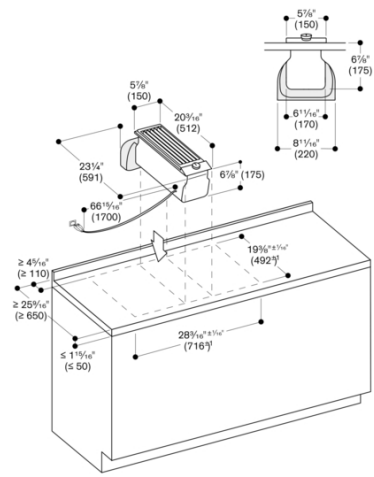
measurements in mm



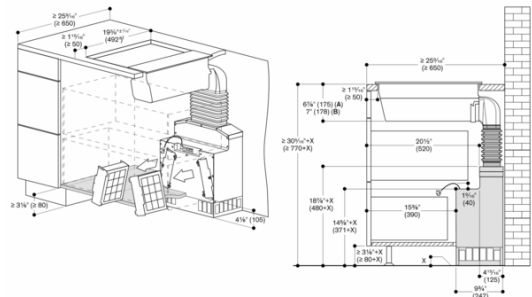
measurements in mm



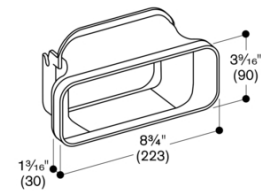
measurements in mm



measurements in inches (mm)



A. Surface mounting
 B. Push mounting (only VL414)
 measurements in inches (mm)



measurements in inches (mm)

VL200120

Vario downdraft ventilation 200 series

Black control panel

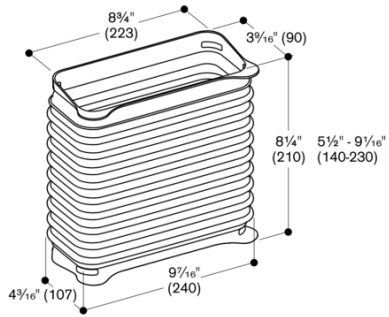
Width 15 cm

Air extraction / Air recirculation

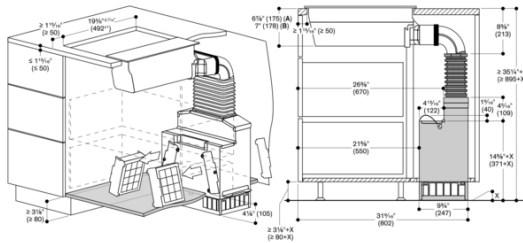
Motorless

2022-01-01

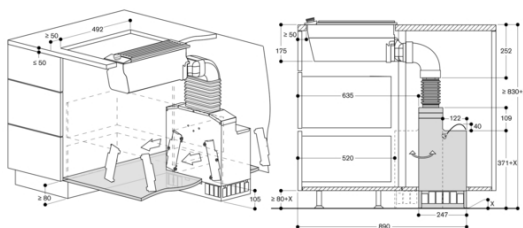
Page 4



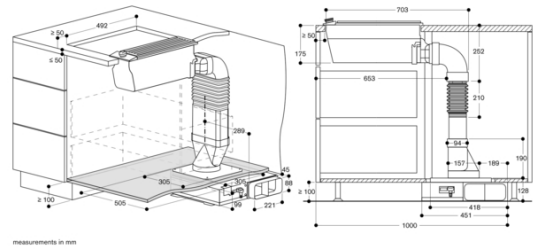
measurements in inches (mm)



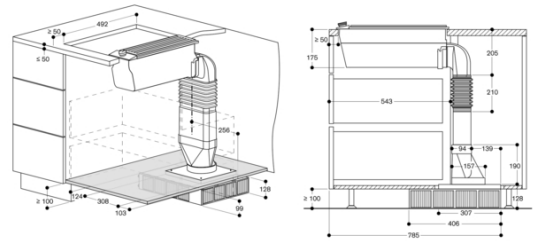
A: Surface mounting
B: Flush mounting (only VL414)
measurements in inches (mm)



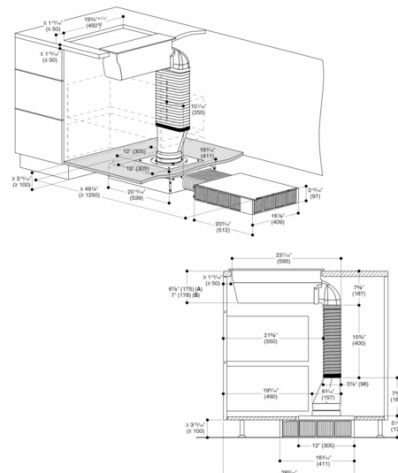
measurements in mm



measurements in mm



measurements in mm



A: Surface mounting
B: Flush mounting (only VL414)
measurements in inches (mm)

VL200120

Vario downdraft ventilation 200 series

Black control panel

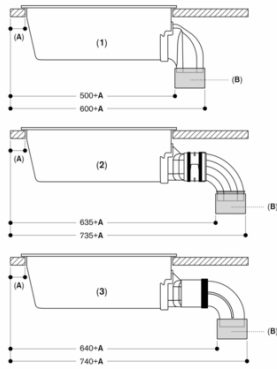
Width 15 cm

Air extraction / Air recirculation

Motorless

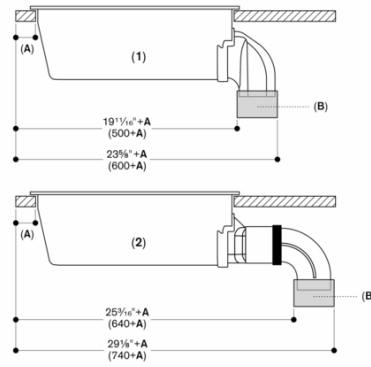
2022-01-01

Page 5



- 1: Direct installation
 2: Installation with extension for extra deep worktop and plastic ducting:
 - AD 851 041 (connecting piece for extension)
 - AD 857 040 (flat duct connecting piece, plastic)
 - AD 857 030 (flat duct bend, 90°, vertical, plastic)
 3: Installation with extension for extra deep worktop and metal ducting:
 - AD 851 041 (connecting piece for extension)
 - AD 854 000 (flat duct connecting piece, metal)
 - AD 854 030 (flat duct bend, 90°, vertical, metal)

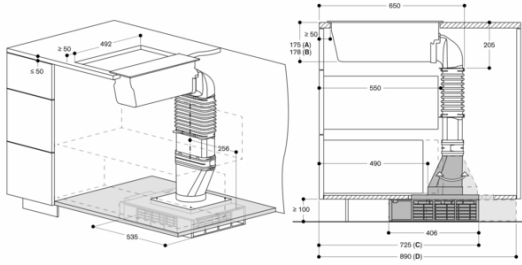
A: ≥ 50 mm
 B: Connecting piece
 measurements in mm



- 1: Direct installation
 2: Installation with extension for extra deep worktop and metal ducting:
 - AD 851 041 (connecting piece for extension)
 - AD 854 000 (flat duct connecting piece, metal)
 - AD 854 030 (flat duct bend, 90°, vertical, metal)

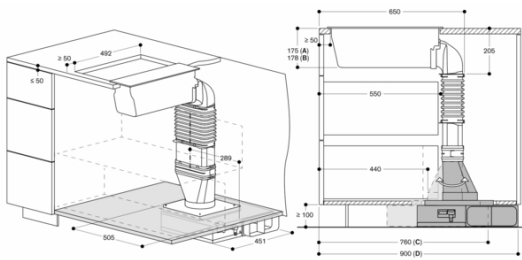
A: $\geq 1\frac{1}{8}$ " (50)
 B: Connecting piece

measurements in inches (mm)



- A: Surface mounting
 B: Flush mounting (only VL414)
 C: Filter access from the front. Connecting piece flat/round towards the front
 D: Filter access from the back. Connecting piece flat/round towards the back

measurements in mm



- A: Surface mounting
 B: Flush mounting (only VL414)
 C: Exhaust to the left. Flat/round connecting piece towards the front
 D: Exhaust to the right. Flat/round connecting piece towards the back

measurements in mm