



Color Variants

VL414112
stainless steel
Width 15.5 cm

Optional accessories

AA400510
Window contact switch
AA414010
Ventilation moulding for VL 414 next to gas appliance.

Installation Accessories

AD410040
Flexibel connecting piece for VL 200 / VL 414
DN 150 flat
AD851041
Connecting piece VL 200 / VL 414 for extension with flat duct DN 150 for extra deep worktop
VA420004
Connection strip for combination with other Vario appliances of the 400 series for flush mounting
VA420010
Connection strip for combination with other Vario appliances of the 400 series for surface mounting

VL414112

Vario downdraft ventilation 400 series
stainless steel
Width 15.5 cm
Air extraction / Air recirculation
Motorless

A+

Can be combined perfectly flush with other Vario appliances of the 400 series Precision crafted 3 mm stainless steel Solid stainless steel control knob Highly efficient, low noise ventilation system especially with remote fan unit AR 410 110 Function for automatic, sensor-controlled power adjustment depending on the build-up of cooking vapours Minimal planning and easy installation

Output

Power levels depend on the remote fan unit.

Features

Control knob with illuminated ring included in delivery.
3 electronically controlled power levels and 1 intensive mode.
Automatic sensor-controlled performance adjustment of the ventilation system.
Automatic sensor-controlled or manual run-on function.
Large-scale metal grease filter with high grease absorption.
Removable, dishwasher-safe grease filter unit.
Grease filter and activated charcoal filter saturation indicator.
Airflow-optimised interior for efficient air circulation.
Interval ventilation, 6 min.
Enamelled ventilation grille, dishwasher-safe.
Air exhaust bend included in delivery.
Overflow 250 ml capacity.
Cooktop-based ventilation control (with suitable cooktop).
Home network integration for digital services (Home Connect) either via cable connection LAN (recommended) or wireless via WiFi.
The use of the Home Connect functionality depends on the Home Connect services, which are not available in every country. For further information please check: home-connect.com.

Consumption data

Consumption data is referred to a configuration with the remote fan unit AR 403 122.
Energy efficiency class A+ at a range of energy efficiency classes from A+++ to D.
Energy consumption 40.4 kWh/year.
Ventilation efficiency class A.
Illumination efficiency class -.
Grease filter efficiency class B.
Sound level min. 57 dB / max. 71 dB normal mode.

Planning notes

For each VL one remote fan unit is recommended.
Maximum cooktop(s) width between two VL : 80 cm except with the CX 482.
Vario cooktops like Vario electric grill and Vario gas wok should be placed between 2 VL.
Air recirculation is not recommended in combination with Vario electric grill.
If operated next to gas appliances, the ventilation moulding AA 414 010 is recommended to ensure maximum performance of the cooktop.
Appliance can be snapped into the worktop from above.

Characteristics

Product name/family
Color chimney
Typology
Downdraft
Approval certificates
Australia Standards, CE, Eurasian, G-Mark, Ukraine, VDE
Length electrical supply cord
175
Required niche size for installation (HxWxD)
Height of the chimney
Height of product, without chimney
Net weight
7.502
Type of control
Electronic
Number of speed settings
Maximum output air extraction
550
Boost position output recirculating
Maximum output recirculating air
Boost position air extraction
Number of lights
Noise level
71
Diameter of air outlet
150
Grease filter material
Odour filter
No
Operating Mode
Convertible
Delay Shut off modes
Required accessories
Optional accessories
AA400510, AA414010
Type of lamps used
Total power of the lamps
Grease filter type
Kassette
Clean filter reminders
Connection rating
10
Fuse protection
Voltage
220-240
Frequency
50; 60
Plug type
Installation typology
Built-in
Universal Product Code
Material body
Stainless steel
Approval certificates
Australia Standards, CE, Eurasian, G-Mark, Ukraine, VDE
Length of electrical supply cord (in)
Plug type
Dimensions of the product, with chimney (if exists) (in)
/ x 6 1/8" x 20 15/32"
Dimensions of the packed product
11.81 x 15.74 x 23.62
Height of the chimney (in)
Vertical rise height
Required distance above cooktop/ranges
Net weight
17.000
Gross weight
20.000
Motor location
without motor
Maximum output recirculating air
Diameter of air duct (in) top
Diameter of air duct (in) back
Discharge direction
downward
No-return airflow flap
No
Length electrical supply cord
175
Dimensions of the product, with chimney (if exists)
x 155.0 x 520.0
Dimensions of the packed product (HxWxD)
300 x 400 x 600

Depending on the type of installation (surface-mounted or flush-mounted), the specific location of the cut-out and the knob positions may vary.

If combining several Vario appliances of the 400 series, a connection strip VA 420 must be placed between the appliances. Depending on the type of installation, the corresponding connection strip must be provided.

The bearing capacity and stability, in the case of thinner worktops in particular, must be supported using suitable substructures. Take into account the appliance weight and additional loads.

Additional instructions for flush mounting:

Installation is possible in worktops made of stone, synthetics or solid wood. Heat resistance and watertight sealing of the cut edges must be observed. Concerning other materials please consult the worktop manufacturer.

The groove must be continuous and even, so that uniform placing of the appliance on the gasket is ensured. Do not use discontinuous lining.

The joint width may vary due to size tolerances of the combinations and of the worktop cut-out.

When installing a ventilation hood with air extraction mode and a chimney-vented fireplace, the power supply line of the ventilation appliance needs a suitable safety switch.

Please read additional planning notes on page xx.

Connection

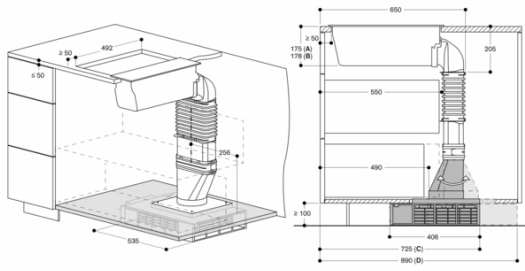
Total connected load 10 W.
Connecting cable 1.8 m with plug.
Plan a LAN cable.

Power consumption standby/display off 0.2 W.

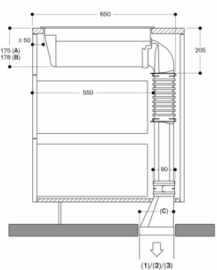
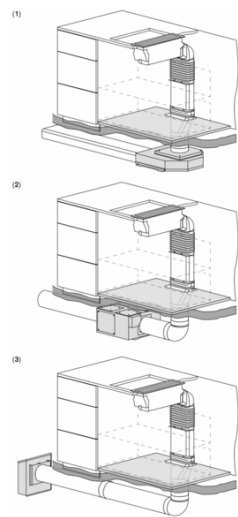
Please check the user manual for how to switch off the WiFi module.

GAGGENAU

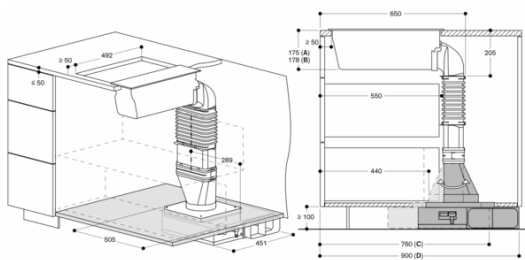
VL414112
Vario downdraft ventilation 400 series
stainless steel
Width 15.5 cm
Air extraction / Air recirculation
Motorless
2021-12-23
Page 2



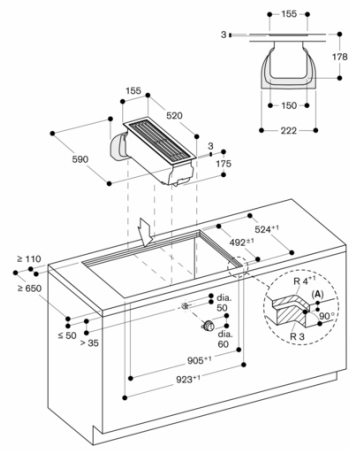
A: Surface mounting
 B: Flush mounting (only VL414)
 C: Filter access from the front. Connecting piece flat/round towards the front
 D: Filter access from the back. Connecting piece flat/round towards the back
 measurements in mm



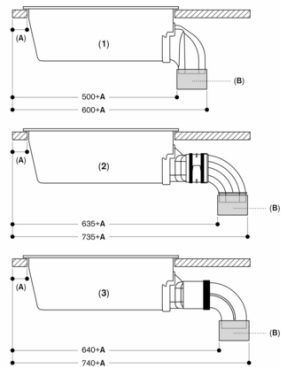
Extraction mode with remote fan unit
 1: AD 403
 2: AD 400
 3: AD 401
 A: Surface mounting
 B: Flush mounting
 C: 15.5
 measurements in mm



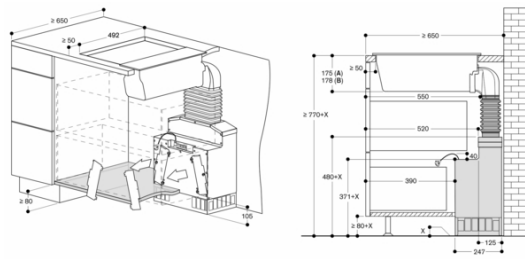
A: Surface mounting
 B: Flush mounting (only VL414)
 C: Exhaust to the left. Flat/round connecting piece towards the front
 D: Exhaust to the right. Flat/round connecting piece towards the back
 measurements in mm



A: 3.5¹⁸
 6.5¹⁸ in combinations with frameless induction hobs
 measurements in mm

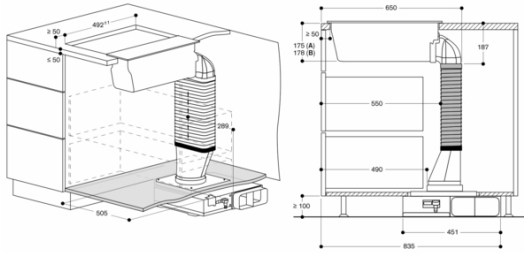


1: Direct installation
 2: Installation with extension for extra deep worktop and plastic ducting:
 - AD 851 041 (connecting piece for extension)
 - AD 857 040 (flat duct connecting piece, plastic)
 - AD 857 030 (flat duct bend, 90°, vertical, plastic)
 3: Installation with extension for extra deep worktop and metal ducting:
 - AD 851 041 (connecting piece for extension)
 - AD 854 000 (flat duct connecting piece, metal)
 - AD 854 030 (flat duct bend, 90°, vertical, metal)
 A: ≥ 50mm
 B: Connecting piece
 measurements in mm

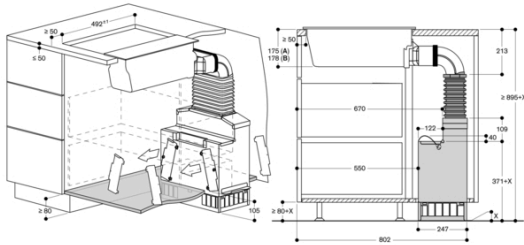


A: Surface mounting
 B: Flush mounting (only VL414)
 measurements in mm

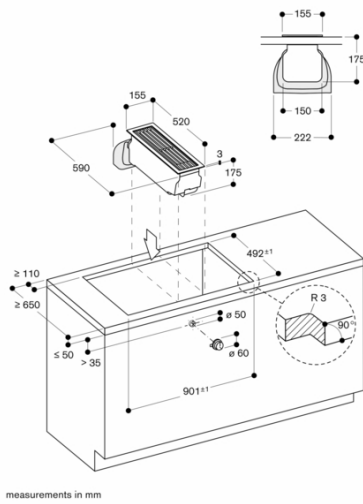
VL414112
 Vario downdraft ventilation 400 series
 stainless steel
 Width 15.5 cm
 Air extraction / Air recirculation
 Motorless
 2021-12-23
 Page 3



A: Surface mounting
 B: Flush mounting (only VL414)
 measurements in mm

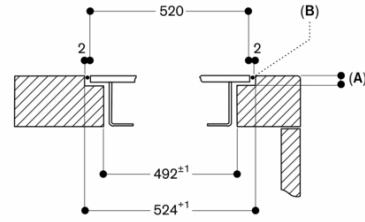


A: Surface mounting
 B: Flush mounting (only VL414)
 measurements in mm



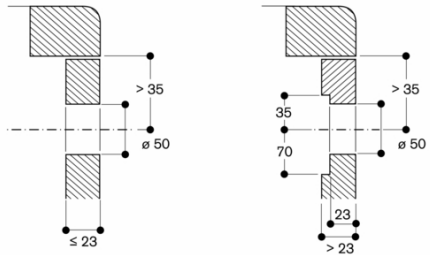
measurements in mm

Cross-section



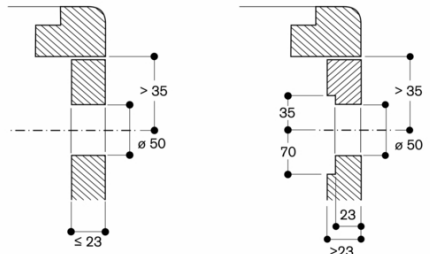
A: 3.5^{0.5}
 B: Fill with silicone
 measurements in mm

Installation of the control knob; surface mounting



measurements in mm

Installation of the control knob; flush installation



measurements in mm