



Color Variants

VP230120
Black control panel
Width 28 cm

Included accessories

2 x spatula.

Optional accessories

VD200020
Black appliance cover

Installation Accessories

VV200010
Stainless steel connection strip
for combination with other Vario
appliances of the 200 series
VV200020
Black connection strip for combination
with other Vario appliances of the 200
series

VP230120

Vario Teppan Yaki 200 series

Black control panel

Width 28 cm

Can be combined with the cooktops of the Vario 200 series to a harmonic unity Control panel for comfortable and secure operation
Cooking directly on the metal surface, without any pots or pans
Exact temperature control up to 240 °C
Keeping warm setting

Cooking zones

Useable area: 844 cm².

Handling

Control knobs with illuminated ring.
Integrated control panel.
Electronic temperature control from 140 °C to 240 °C.

Features

Heating element with 1800 W.
Keeping warm setting.
Cleaning stage.
Stainless steel frame seamlessly welded with the stainless steel surface.

Safety

Pre-heat and residual heat indicator.
Operation indicator.
Safety shut-off.

Planning notes

The distance from the upper edge of the work surface to the upper edge of the intermediate shelf must be at least 150 mm.
Appliance can be snapped into the worktop from above.
A minimum lateral clearance of at least 30 mm from adjacent heat-sensitive furniture or contact surfaces must be observed or thermal insulation fitted.
Intermediate shelf required; after installation, this shelf must only be removed using tools to guarantee the touch protection from below.
Appliance weight: approx. 9 kg.

Connection

Total connected load 1.8 KW.
Connecting cable 1.8 m without plug.

Characteristics

Product name/family

Vario/Domino Teppan Yaki

Built-in / Free-standing

Built-in

Energy input

Electric

Type of control

Electronic

Grill grating material

Required niche size for installation

(HxWxD)

125 x 268 x 492

Width of the appliance

288

Dimensions

125 x 288 x 512

Dimensions of the packed product

(HxWxD)

260 x 600 x 400

Net weight

9.033

Gas weight

10.2

Residual heat indicator

Separate

Location of control panel

Hob front

Basic surface material

Color of surface

Stainless steel, Stainless steel

Color of frame

Stainless steel

Approval certificates

CE, VDE

Length electrical supply cord

180

Connection rating

1800

Gas connection rating

Fuse protection

10

Voltage

220-240

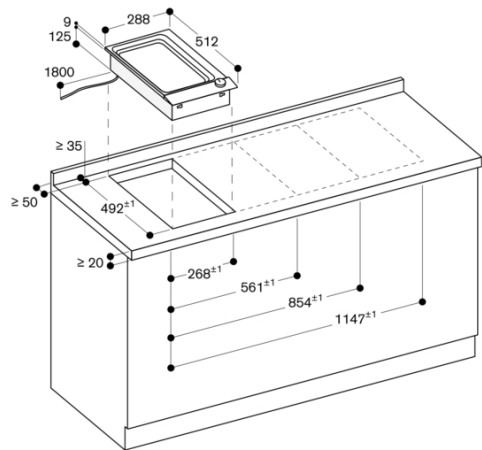
Frequency

60; 50

Consumption and connection features

2021-12-28

Page 1



measurements in mm