



Color Variants

VR230120
Black control panel
Width 28 cm

Included accessories

1 x cast iron grill.
1 x lava stones.
1 x cleaning brush.

Optional accessories

LV030000
Lava stones for refilling
VD200020
Black appliance cover

Installation Accessories

VV200010
Stainless steel connection strip for combination with other Vario appliances of the 200 series
VV200020
Black connection strip for combination with other Vario appliances of the 200 series

VR230120

Vario electric grill 200 series

Black control panel

Width 28 cm

Can be combined with the cooktops of the Vario 200 series to a harmonic unity Control panel for comfortable and secure operation
2 zones, separately controlled
Open cast grill, lava stones

Handling

Control knobs with illuminated ring.
Integrated control panel.
9 switching levels.

Features

2 separately controllable swing-out grilling elements (1500 W).
Join function.
Cast grill.
Stainless steel lavastone container and grease collecting insert, dishwasher-safe.

Safety

Pre-heat and residual heat indicator.
Operation indicator.
Safety shut-off.

Planning notes

Appliance can be snapped into the worktop from above.
A minimum clearance of at least 200 mm from adjacent heat-sensitive furniture or contact surfaces must be observed or thermal insulation fitted.
Appliance weight: approx. 17 kg.

Connection

Total connected load 3.0 KW.
Connecting cable 1.8 m without plug.

Characteristics

Product name/family

Vario/Domino barbecue grill

Built-in / Free-standing

Built-in

Energy input

Electric

Type of control

mechanical

Grill grating material

Cast iron

Required niche size for installation

(HxWxD)

125 x 268 x 492

Width of the appliance

288

Dimensions

125 x 288 x 512

Dimensions of the packed product

(HxWxD)

260 x 600 x 410

Net weight

16.823

Gross weight

18.0

Residual heat indicator

Separate

Location of control panel

Hob front

Basic surface material

Cast iron

Color of surface

Stainless steel, Stainless steel

Color of frame

Stainless steel

Approval certificates

CE

Length electrical supply cord

180

Connection rating

3000

Gas connection rating

Fuse protection

16

Voltage

220-240

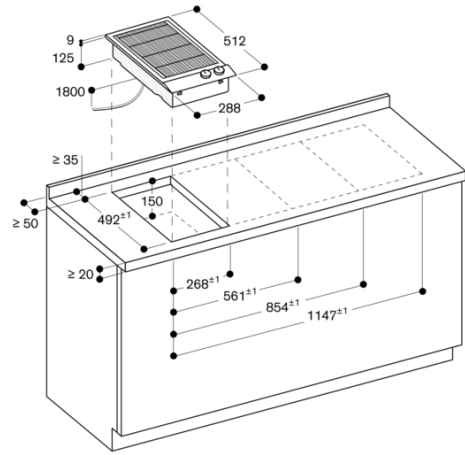
Frequency

50; 60

Consumption and connection features

2021-12-31

Page 1



measurements in mm