



Color Variants

VR414111
Stainless steel
Width 38 cm

Included accessories

1 x cast pan.
half size.
2 x cast iron grill.
1 x lava stones.
1 x cleaning brush.

Optional accessories

LV030000
Lava stones for refilling

Installation Accessories

VA420004
Connection strip for combination with other Vario appliances of the 400 series for flush mounting
VA420010
Connection strip for combination with other Vario appliances of the 400 series for surface mounting
VA440010
Stainless steel appliance cover with mounting strip

VR414111

Vario electric grill 400 series

Stainless steel

Width 38 cm

Two zones can be operated together or separately

Cast pan, half size, for simultaneous frying and grilling on two separate surfaces

Open cast grill, lava stones
Solid stainless steel control knob
Precision crafted 3 mm stainless steel
For surface mounting with a visible edge or for flush mounting
Can be combined perfectly with other Vario appliances of the 400 series

Handling

Control knobs with illuminated ring, cooking zone and output level markings.
Electronic control in 12 output levels.

Features

Cooktop, lava stone trough and grease collecting insert from stainless steel.
Two zones, each 1500 W, can be operated together as a complete surface or each half separately.
Two-part cast grill.

Safety

Safety shut-off.
Pre-heat and residual heat indicator.

Planning notes

Depending on the type of installation (surface-mounted or flush-mounted, with or without an appliance cover), the specific location of the cut-out and the knob positions may vary.

If installing with the appliance cover VA 440 take into account the additional space required for the depth.

If combining several Vario appliances of the 400 series, a connection strip VA 420 must be placed between the appliances. Depending on the type of installation, the corresponding connection strip must be provided. The bearing capacity and stability, in the case of thinner worktops in particular, must be supported using suitable substructures. Take into account the appliance weight and additional loads.

Additional instructions for flush mounting:
Installation is possible in worktops made of stone, synthetics or solid wood. Heat resistance and watertight sealing of the cut edges must be observed. Concerning other materials please consult the worktop manufacturer.

The groove must be continuous and even, so that uniform placing of the appliance on the gasket is ensured. Do not use discontinuous lining.

The joint width may vary due to size tolerances of the combinations and of the worktop cut-out.

If installing several appliances in individual cut-outs allow for a division bar of minimum 50 mm between the individual cut-outs.

A minimum lateral clearance of at least 100 mm from adjacent heat-sensitive furniture or from the wall must be observed.

Appliance can be snapped into the worktop from above.
Appliance weight: approx. 26 kg.

Connection

Total connected load 3.0 KW.
Connecting cable 1.5 m without plug.

Characteristics

Product name/family

Vario/Domino barbecue grill

Built-in / Free-standing

Built-in

Energy input

Electric

Type of control

Electronic

Grill grating material

Cast iron

Required niche size for installation

(HxWxD)

118 x 360 x 492

Width of the appliance

380

Dimensions

118 x 380 x 520

Dimensions of the packed product

(HxWxD)

400 x 460 x 600

Net weight

26.386

Gross weight

30.2

Residual heat indicator

Separate

Location of control panel

Hob front

Basic surface material

Cast iron

Color of surface

Stainless steel, Stainless steel

Color of frame

Stainless steel

Approval certificates

Australia Standards, CCC, CE, China, China ROHS 20, Eurasian, G-Mark, Ukraine, VDE

Length electrical supply cord

150

Connection rating

3000

Gas connection rating

Fuse protection

16

Voltage

220-240

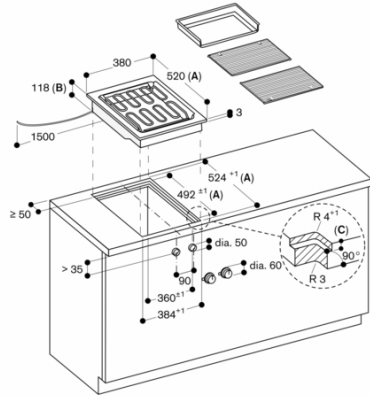
Frequency

50-60

Consumption and connection features

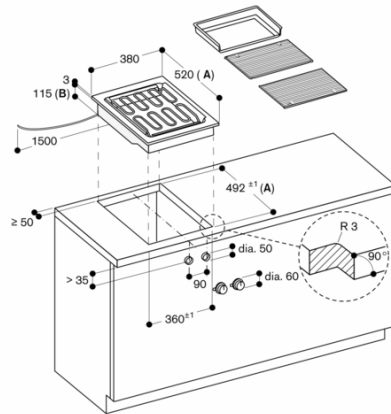
2021-12-02

Page 1



- A: When installing with appliance cover, take the deeper cut-out into consideration (observe separate planning notes)
- B: 133 mm in the area of the cable clamp (left, on the rear side)
- C: 3.5^{±0.5} in combinations with frameless induction hobs

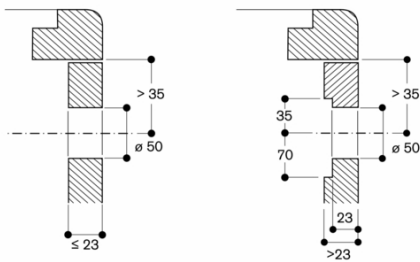
measurements in mm



- A: When installing with appliance cover, take the deeper cut-out into consideration (observe separate planning notes)
- B: 130 mm in the area of the cable clamp (left, on the rear side)

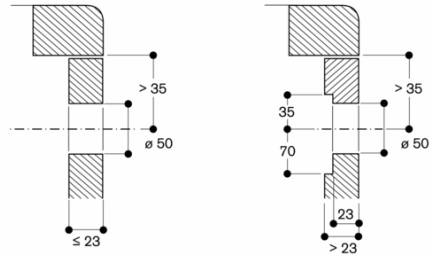
measurements in mm

Installation of the control knob; flush installation



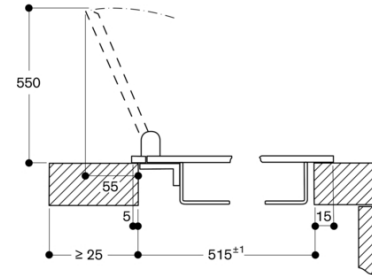
measurements in mm

Installation of the control knob; surface mounting



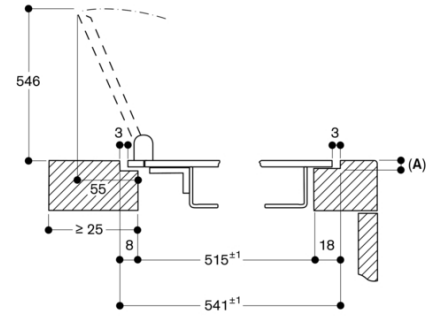
measurements in mm

Installation with appliance cover, surface mounting



measurements in mm

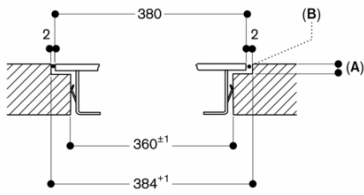
Installation with appliance cover, flush mounting



A: 3.5^{±0.5}

measurements in mm

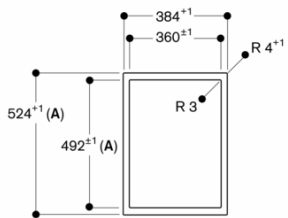
Longitudinal section



- A: 3.5^{-0.5}
6.5^{+0.5} in combinations with frameless induction hobs
- B: Fill with silicone

measurements in mm

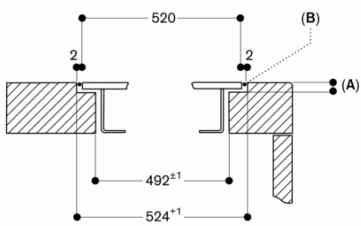
View from above



- A: When installing with appliance cover, take the deeper cut-out into consideration (observe separate planning notes)

measurements in mm

Cross-section

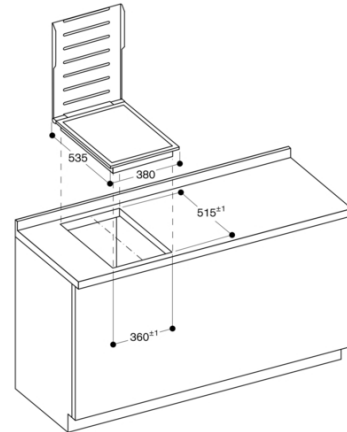


- A: 3.5^{-0.5}
6.5^{+0.5} in combinations with frameless induction hobs
- B: Fill with silicone

When installing with appliance cover, pay attention to the deeper cut-out and the front and rear groove width.

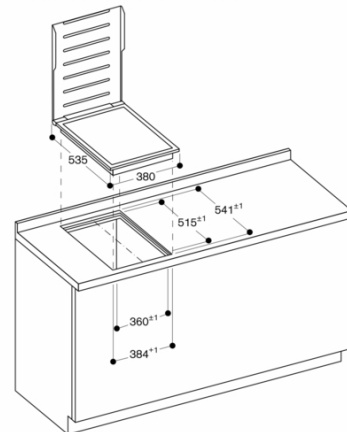
measurements in mm

Installation with appliance cover, surface mounting



measurements in mm

Installation with appliance cover, flush mounting



measurements in mm