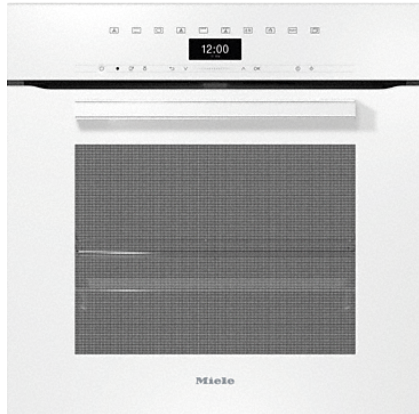


H 7464 BP

Oven

seamless design with food probe and LED lighting.



- Large clear text display with sensor controls – DirectSensor
- Minimal cleaning effort – Pyrolytic cleaning equipment & PyroFit
- Especially light dough and nicely browned crusts – Moisture plus
- Ensures your food won't overcook – TasteControl
- Network-enabled WiFi appliance – Miele@home

A+

EAN: 4002516156895 / material number: 11093590

Model and design	
Built-in oven	•
VitroLine	•
Appliance colour	Brilliant white
Convenience features	
TasteControl	•
Rapid heat-up	•
Food probe	•
Keeping warm	•
Crisp function	•
Operating modes	
Defrosting	•
Country-specific automatic programmes	•
Auto roast	•
Grill	•
Fan plus	•
Intensive bake	•
Moisture plus	•
Moisture plus with Fan plus	•
Moisture plus with Conventional heat	•
Moisture plus with Conventional heat	•
Moisture plus with Conventional heat	•
Conventional heat	•
Bottom heat	•
Fan grill	•
User convenience	
Display	DirectSensor
SoftClose	•
MultiLingua	•
Programmable timed steam injection	•
Time of day display	•
Date display	•
Minute minder	•
Programmable start of cooking duration	•
Programmable end of cooking duration	•
Actual temperature display	•
Target temperature display	•
Audible signal when target temperature is reached	•
Recommended temperature	•
User programmes	20
Individual settings	•
Efficiency and sustainability	
Energy efficiency class (A+++ - D)	A+
Residual heat utilisation	•
Cleaning convenience	
Pyrolytic self-cleaning	•
Unheated catalyser	•
Hinged grill heater element	•
CleanGlass door	•

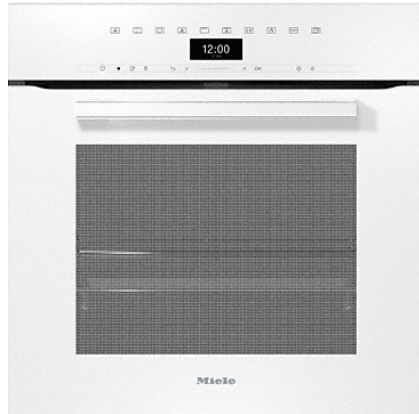
more information:
<http://www.miele.co.uk/domestic>

For further information please see next page...

H 7464 BP

Oven

seamless design with food probe and LED lighting.

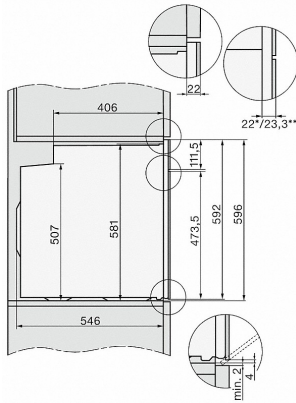
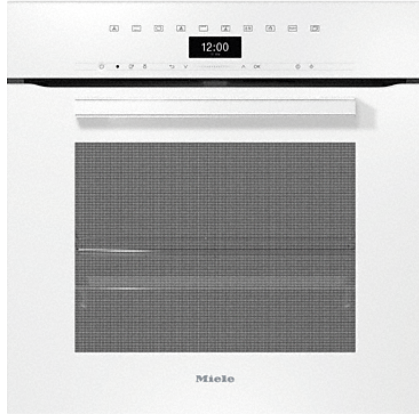


Appliance networking	
Miele@home	•
RemoteService	•
WiFiConn@ct	•
Safety	
Appliance cooling system and touch-cool fronts	•
Safety switch-off	•
System lock	•
Door lock during pyrolytic cleaning	•
Sensor lock	•
Technical data	
Oven compartment volume in l	76
No. of shelf levels	5
Numbered shelf levels	•
Oven light	1 LED spot
Appliance width in mm	595
Appliance height in mm	596
Appliance depth in mm	569
Weight in kg	47.0
Total rated load in kW	3.6
Voltage in V	220-240
Number of phases	1
Fuse rating in A	16
Mains cable with plug	•
Length of supply lead in m	2
Standard accessories	
Baking tray with PerfectClean	1
Universal tray with PerfectClean	1
Baking and roasting rack PyroFit	1
PyroFit FlexiClip runners (pair)	1
Removable PyroFit side runners (pair)	1

H 7464 BP

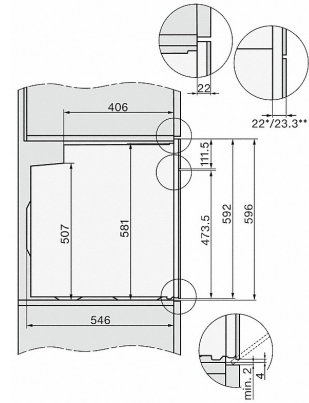
Oven

seamless design with food probe and LED lighting.



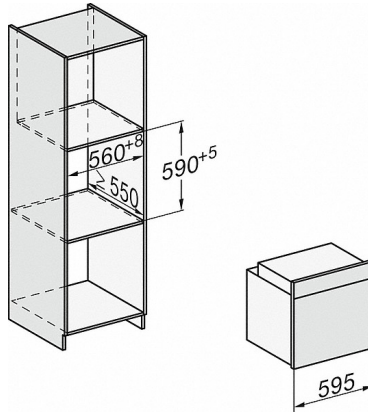
H2760B/BP, H28x0B/BP, H7x6xB/BP/BPX, installation drawings, GB, AUS

22 mm - glass
23,3 mm - metal

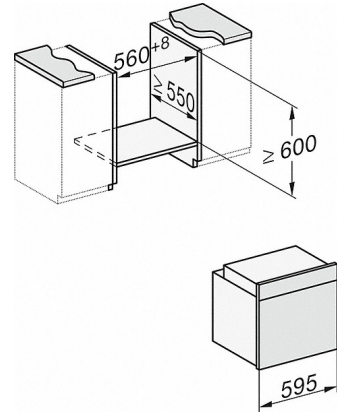


H2760B/BP, H28x0B/BP, H7x6xB/BP/BPX, installation drawings

22 mm - glass
23,3 mm - metal

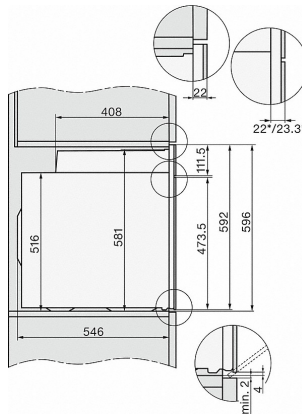


H226x-1B/BP/E/EP/IP, H2760B/BP, H28x0B/BP, H7x6xB/BP/BPX, installation drawings

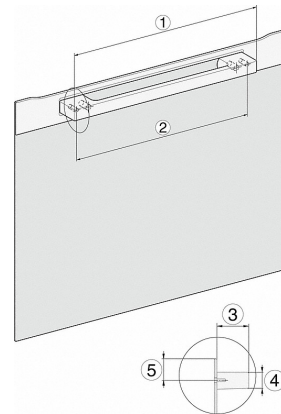


H226x-1B/BP/E/EP/IP, H2x6xB/BP, H7x6xB/BP/BPX, installation drawings

If the oven is to be installed under a hob, follow the instructions for installing the hob and the height of the hob.



H2x6x-1B/BP/E/EP/IP, H2850BP, H7x6xB/BP/BPX, H2x6xB, installation drawings, GB, AUS

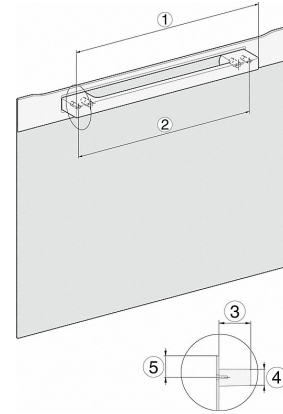
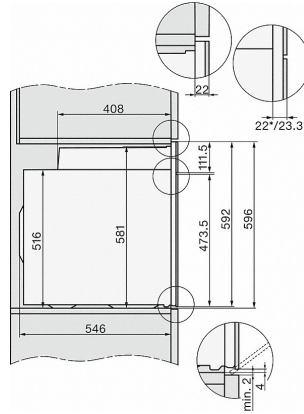
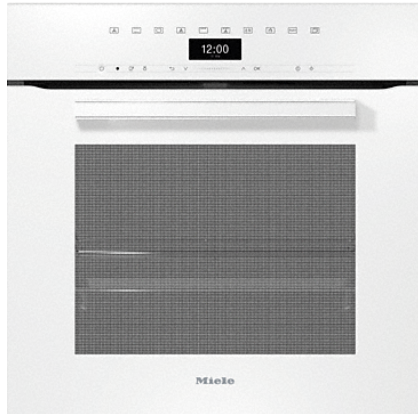


DG2840, DG7x40, DGC7x4x, DG7x6x, DGC7x6x, DGD7635, DGM7x4x, DO7, H28B/BP, H7x4xB/BM/BP,

H 7464 BP

Oven

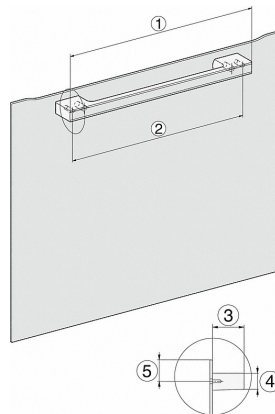
seamless design with food probe and LED lighting.



- 1) Mains connection cable, L=2000 mm
- 2) No connection in this area
- 3) Lüftungsausschnitt min. 150 cm²

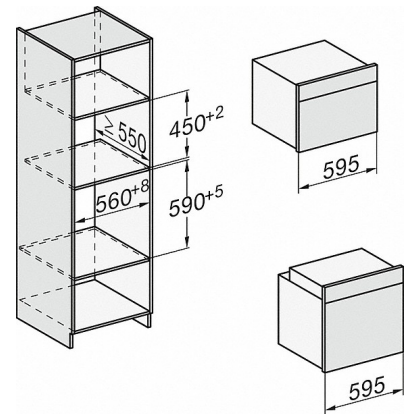
H7x6xB/BP, installation drawing

- 1) 400 mm
- 2) 360 mm
- 3) 47 mm
- 4) 24 mm
- 5) 31,8 mm



DG7x40, DGC7x4x, DGC7x6x, DG7635, DGM7x4x, DO7, H2860B/BP, H240BM, H7x40BM, H7x4xB/BP, H7x6xB/BP, installation drawings

- 1) 400 mm
- 2) 360 mm
- 3) 47 mm
- 4) 27 mm
- 5) 32,5 mm



H226x-1B/BP/E/EP/I/P, H2760B/BP, H28x0B/BP, H7x40BM/BMX, H7x6xB/BP/BPX, installation drawings