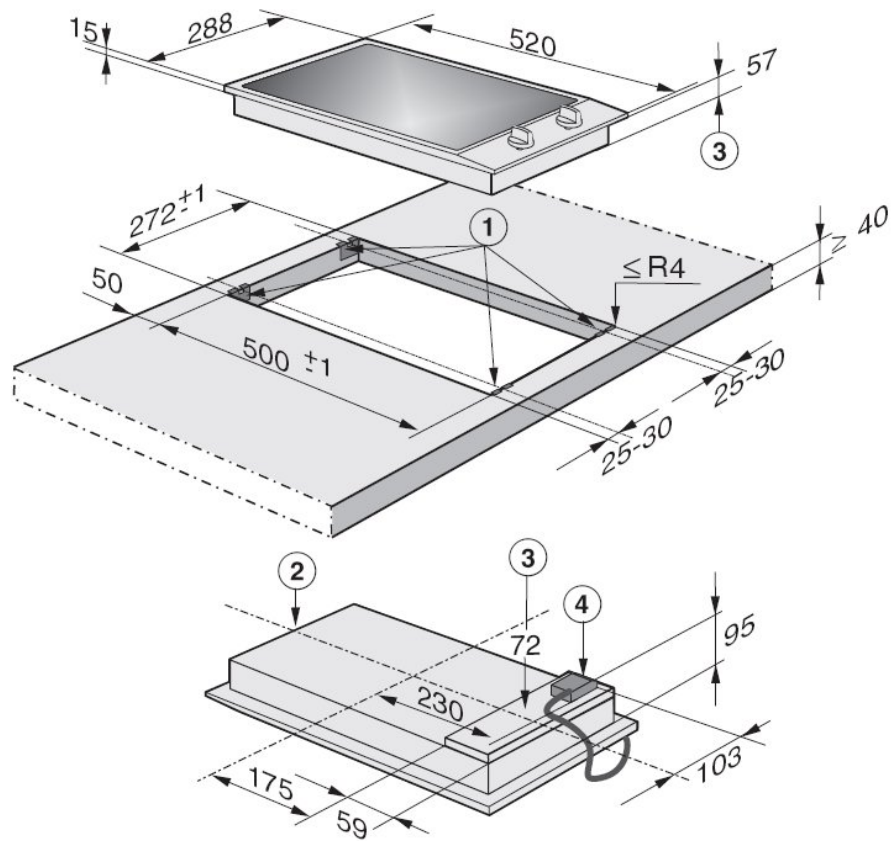


CS 1212 I



- ① Spring clamps
- ② Front
- ③ Building-in depth
- ④ Mains connection box with mains connection cable