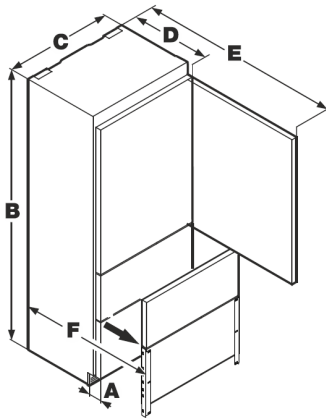
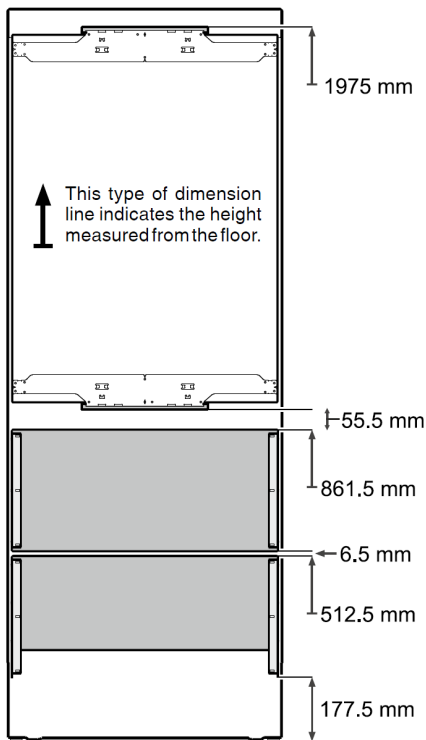


הוראות התקנה מקרר אינטגרצלי 76 ס"מ רוחב ECBN 5066

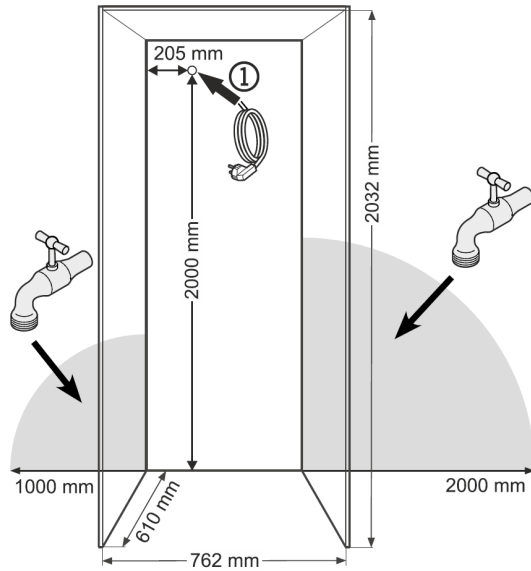
Appliance dimensions



A = 76 mm
 B = 2027 mm
 C = 757 mm
 D = 610 mm
 E = 1413 mm
 F = 952 mm



Installation dimensions



① In this area, the power cord comes out of the appliance rear. Free length of the power cord = **2500 mm**. Choose the position of the socket considering these specifications.

The socket must not be situated behind the appliance and must be easily accessible.

The ice maker is fitted in the freezer compartment of the combined refrigerator-freezer. It must be connected to the mains water supply to work.

The water shut-off valve must be positioned within the areas marked in grey.

Important

Do not install the shut-off valve behind the appliance.

⚠ WARNING!

The water shut-off valve must not be positioned directly above the socket!

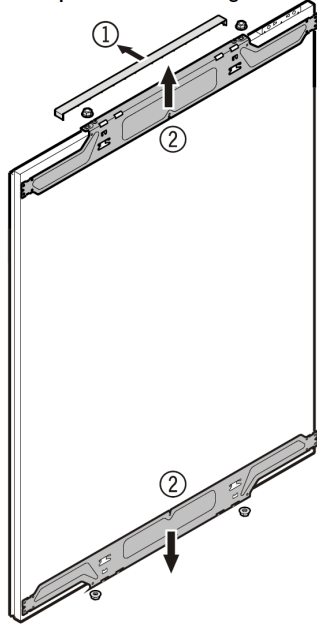
The gap between the water shut-off valve and the socket must comply with the regulations of the country in which the appliance is used!

Removing the mounting accessories from the refrigerator door

Remove the cover ① and unscrew the top and bottom attachment brackets ② from the refrigerator door. These attachment brackets will be mounted onto the refrigerator door panel.

Important!

The securing nuts are needed for re-mounting the pre-assembled door panel onto the refrigerator door.

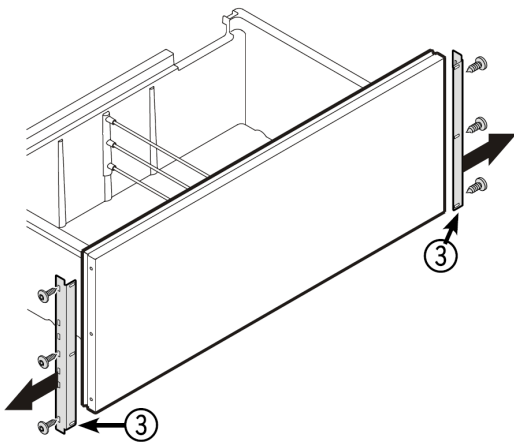


Removing the mounting accessories from the freezer drawers

Unscrew the attachment brackets ③ from the freezer drawers. These attachment brackets will be mounted onto the freezer panels.

Important!

The screws are needed for re-mounting the pre-assembled freezer panels onto the freezer drawers.

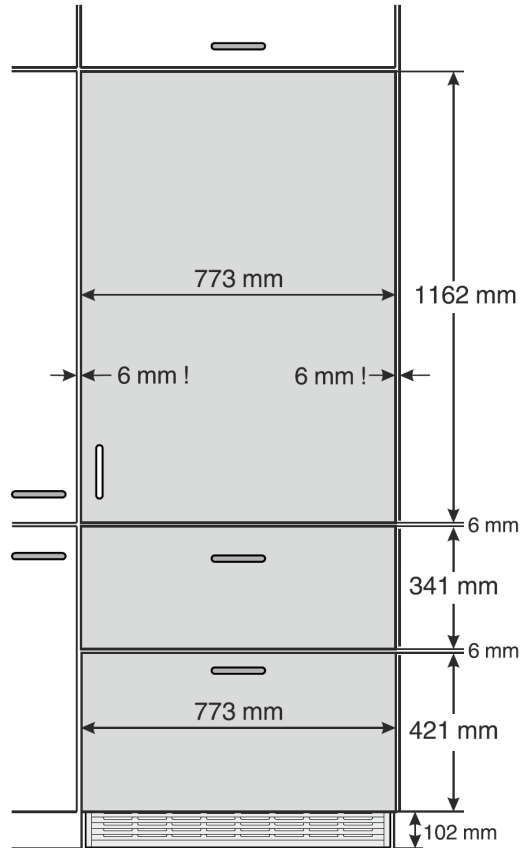


Panel dimensions

Min. panel thickness = 16 mm
Max. panel thickness = 19 mm

Maximum panel weight

Refrigerator panel = 27 kg
Freezer drawer panel = 10 kg



Important!

To avoid collisions when opening the refrigerator door, the lateral distance between the door and the panels must be at least 6 mm.