

מקרר LIEBHERR אינטגרלי

ECBN 6156

PLANNING INFORMATION

Unit Dimensions - Figure 1

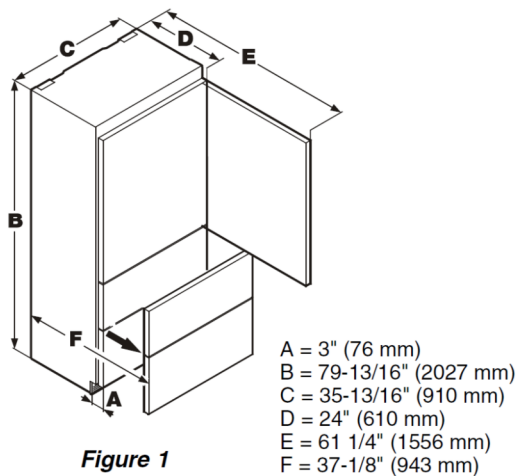


Figure 1

Door swing clearance - Figure 2

Please allow for door swing clearance at locations next to a wall.

The illustrated measurement is without mounted front panels. Be sure to add your panel thickness and handle depth to this measurement in order to avoid interferences.

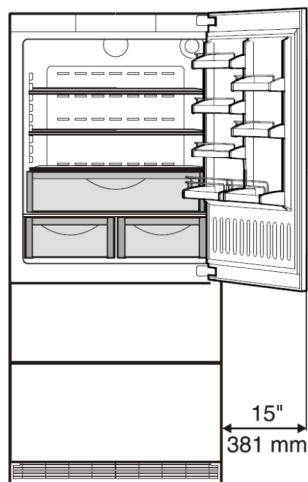


Figure 2

Unit Venting - Figure 3

HC 2060/2061 appliances do not require any ventilation openings in the cabinet. The required airflow is directed through the toe kick area.

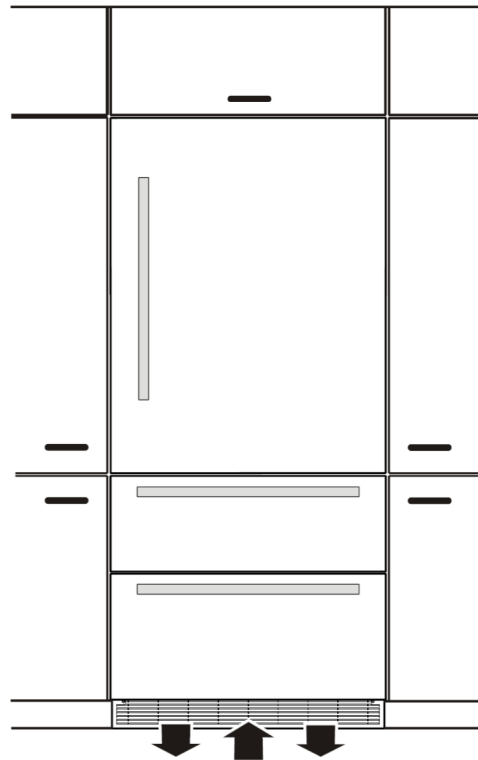


Figure 3

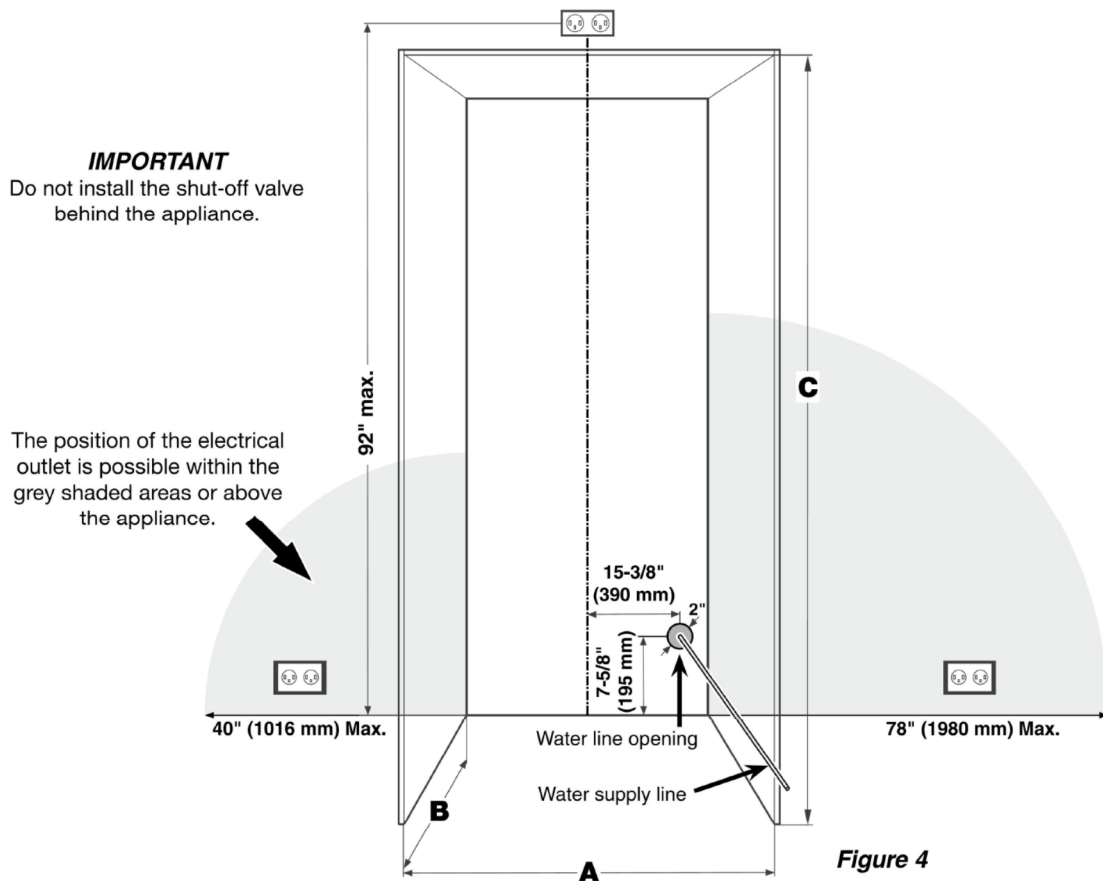
It is important to use the provided cover grille for the ventilation opening. This opening must not be covered with a cabinet base.

PLANNING INFORMATION

Cabinet Opening Dimensions - Figure 4

Cabinet Height C	Framed cabinet Depth B	Frameless cabinet Depth B
80"	24 3/4"	24"
84"	24 3/4"	24"

A = 36" (914 mm)



IMPORTANT

At 24" cabinets, the water line opening must be in the location as shown in **Figure 4**.

At cabinets deeper than 24" there is room to fit the pipe behind the appliance and the wall so there are no requirements for the water line lead out position.

IMPORTANT

The free length of the water supply line must be at least 31 - 1/2" (800 mm) when the tube comes out of the prescribed opening.

גובה נישא (C) = 80" - 203.2 ס"מ

PLANNING INFORMATION

Panel Dimensions - Framed Cabinet Design - Figure 5

The panels should be at least 5/8 inch (16 mm) thick to allow the connecting rails to be fastened to them.

IMPORTANT

The maximum panel thickness is 3/4" (19 mm).

Cabinet Opening A	Refrigerator door panel B
80" (2032 mm)	45 - 1/4" (1150 mm)
84" (2134 mm)	49 - 1/4" (1251 mm)

You can order stainless steel panels for framed cabinet design.

Refrigerator door panel 80"- article-number 9900 333-00

Refrigerator door panel 84"- article-number 9900 331-00

Freezer drawer panels - article-number 9900 323-00

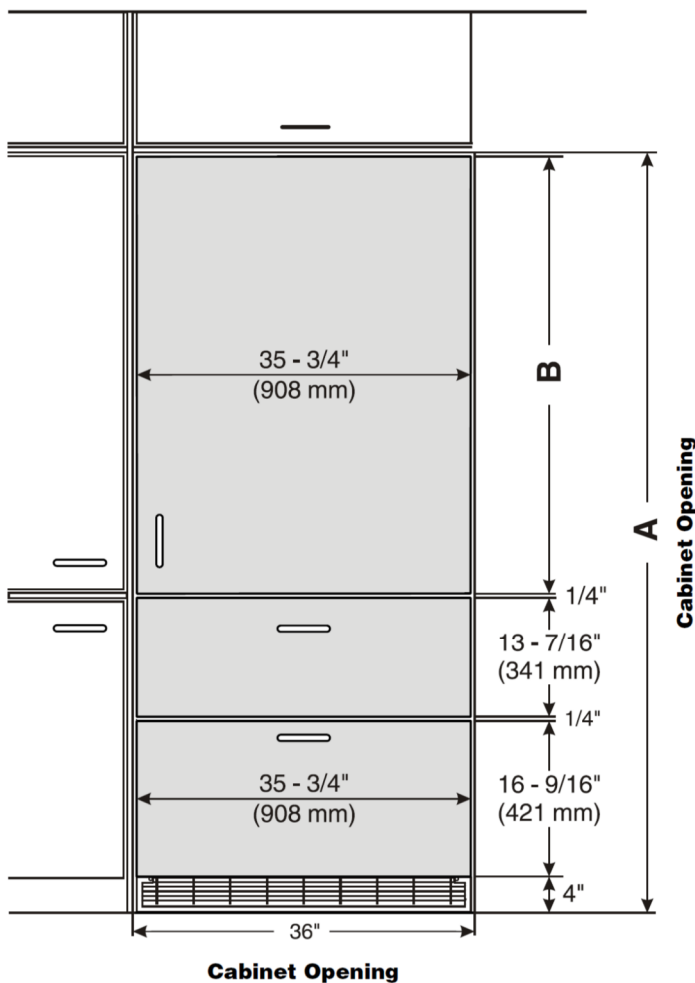


Figure 5

גובה דלת מקרר (B) – 115 ס"מ