

45.7 cm Monolith freezer



45.7

EGN 9171	
No Frost	A+
InfinitySwipe	
InfinityLight	
Ice Maker	
Soft System	
Soft Telescopic	
Smart Device	
Super Frost	
Frost Safe System	
Energy efficiency class	A+
Energy consumption kWh (year / 24h)	283 / 0.775
Noise output in dB(A)	39
Net capacity of freezer in litres	218
Number of storage shelves, of which height-adjustable	4 / 3
Number of door racks	3
Number of FrostSafe drawers	3
Electronic control	InfinitySwipe
Temperature range of freezer °C	-14 °C to -27 °C
Defrosting method	automatic
Interior lighting	InfinityLight
IceMaker	fixed water connection 3/4"
Water filter	yes
Ice cube production in 24 h / kg	1.6
Ice cube storage capacity in kg	1.8
Storage time in event of a fault in hours	14
Freezing capacity in 24 h / kg	12
Door hinge	left, reversible *
Appliance dimensions	
in cm (H/W/D)	212.6/45/61
Recess dimensions	
in cm (H/W/D)	213.4/45.7/63.5
Net weight in kg	135.0
Voltage in V~/connected load in A	220-240/2.0

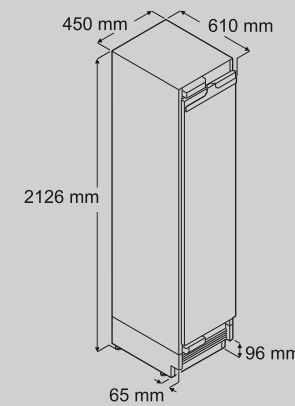
* Please contact the authorised Liebherr Monolith customer service for reversing the door hinge.

Optional accessories

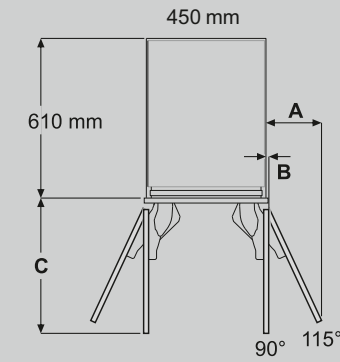
- Flat brushed aluminium handle
- Square brushed aluminium handle
- Round stainless steel handle
- Stainless steel panel
- Plinth panel made of stainless steel
- Side-by-Side set
- Door hinge exchange set

Optional accessories on page 38-39.

Appliance dimensions



IMPORTANT!
The adjustable feet are fully retracted for the minimum height stated. The appliance height is raised by turning the adjustable feet. Once the appliance has been positioned in the recess, it is raised using the adjustable feet - in each case from the front of the appliance - so that the appliance comes into contact with the anti-tipping device. To achieve the minimum plinth panel height of 102 mm, the adjustable feet have to be lifted up to 6-8 mm. If the plinth panel should be higher than 102 mm, the adjustable feet can be raised by a maximum of 26 mm.



Inset door panel

A = 210 mm
B = 12.5 mm
C = 505 mm

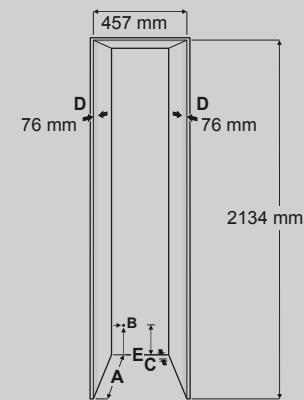
Overlay door panel

A = 216 mm
B = 12.5 mm
C = 517 mm

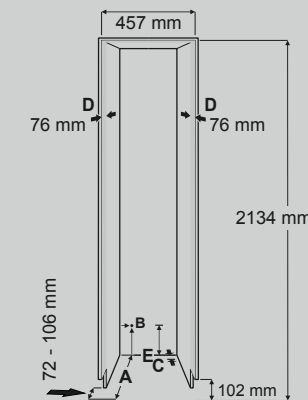
Dimension A = without fitted door handle

Recess dimensions

Individual plinth panel



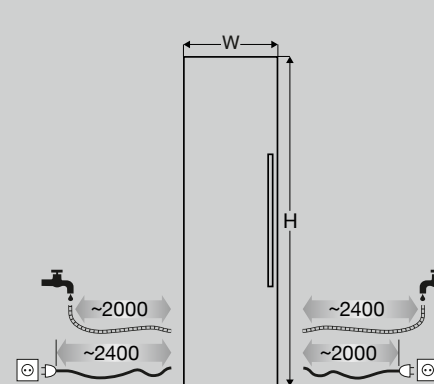
Continuous plinth panel



- A** Unit depth with overlay door panel installation: 635 mm with inset door panel installation: 635 mm + thickness of custom panel.
- B** Point at which the mains cable exits from the rear of the appliance (19 mm from the left and 127 mm from the floor). The free length of the mains cable is 2.5 m.
- C** The appliance has a recess in this area for cable and water line routing: Depth is 25 mm, and height 140 mm across the entire appliance width.
- D** This surface is visible when the appliance door is opened. Designed finish is therefore recommended.
- E** The anti-tipping device positioned at the base of the appliance must be secured to the floor or to the wall.

Door panel dimensions

and dimensions of free length for power / water



Inset installation

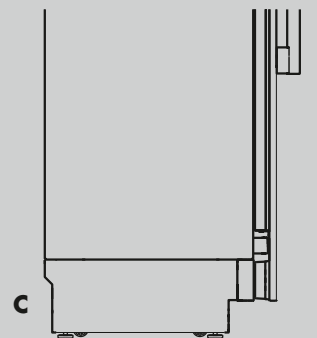
H = 2029 mm
W = 451 mm

Overlay installation

H = 2032 mm
(plus the dimensions of overlapping of the panel on the top)
W = 457 mm
(plus the dimensions of overlapping of the panel on both sides)

Thickness of the panel: min. 16 mm* / max. 30 mm
Weight of panel: max. 25 kg

Installations behind the appliance are not possible.



* If a five-piece shaker style panel is used, which is thinner than the minimum panel thickness, shorter screws than those supplied in the accessory pack must be used.

For further relevant planning and safety requirements see pages 40-47.