

H 7464 BPX

Handleless oven

seamless design with food probe and LED lighting.



- Large clear text display with sensor controls – DirectSensor
- Minimal cleaning effort – pyrolytic cleaning equipment & PyroFit
- Especially light dough and nicely browned crusts – Moisture plus
- Ensures your food won't overcook – TasteControl
- Network-enabled WiFi appliance – Miele@home

A<sup>+</sup>

EAN: 4002516132905 / article number: 22746475D / material number: 11105790

Model and design	
Built-in oven	•
ArtLine	•
Handleless	•
Appliance colour	Graphite grey
Convenience features	
TasteControl	•
Rapid heat-up	•
Pre-heating	•
Food probe	•
Keeping warm	•
Crisp function	•
Operating modes	
Defrosting	•
Automatic programmes	•
Country-specific automatic programmes	•
Auto roast	•
Grill	•
Fan plus	•
Intensive bake	•
Moisture plus	•
Moisture plus with Fan plus	•
Moisture plus with Conventional heat	•
Conventional heat	•
Bottom heat	•
Fan grill	•
User convenience	
Display	DirectSensor
SoftClose	•
Touch2Open	•
MultiLingua	•
Programmable timed steam injection	•
Time of day display	•
Clock synchronisation	•
Date display	•
Minute minder	•
Programmable start of cooking duration	•
Programmable end of cooking duration	•
Programmable cooking duration	•
Actual temperature display	•
Target temperature display	•
Audible signal when target temperature is reached	•
Recommended temperature	•
User programmes	20
Individual settings	•
Efficiency and sustainability	
Energy efficiency class (A+++ - D)	A+
Residual heat utilisation	•

H 7464 BPX

Handleless oven

seamless design with food probe and LED lighting.

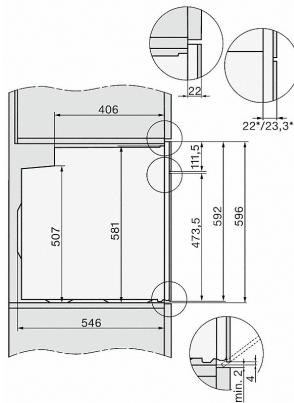


<b>Cleaning convenience</b>	
Pyrolytic self-cleaning	•
Unheated catalyser	•
Hinged grill heater element	•
CleanGlass door	•
<b>Appliance networking</b>	
Miele@home	•
MobileControl	•
RemoteService	•
WiFiConn@ct	•
<b>Safety</b>	
Appliance cooling system and touch-cool fronts	•
Safety switch-off	•
System lock	•
Door lock during pyrolytic cleaning	•
Sensor lock	•
<b>Accessory drawer</b>	
Capacity	76
<b>Technical data</b>	
Oven compartment volume in l	76
No. of shelf levels	5
Numbered shelf levels	•
Oven light	1 LED spot
Appliance width in mm	595
Appliance height in mm	596
Appliance depth in mm	568
Weight in kg	47,0
Total rated load in kW	3,6
Voltage in V	220-240
Frequency in Hz	50
Number of phases	1
Fuse rating in A	16
Mains cable with plug	•
Length of supply lead in m	1,7
<b>Standard accessories</b>	
Baking tray with PerfectClean	1
Universal tray with PerfectClean	1
Baking and roasting rack PyroFit	1
PyroFit FlexiClip runners	1
Descaling tablets	2

H 7464 BPX

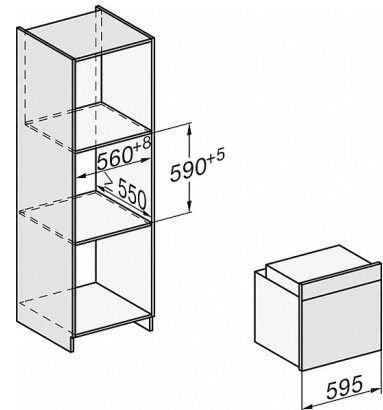
Handleless oven

seamless design with food probe and LED lighting.

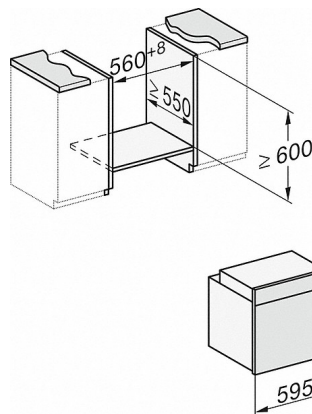


H2760B/BP, H28x0B/BP, H7x6xB/BP/BPX, installation drawings, GB, AUS

22 mm - glass  
23,3 mm - metal

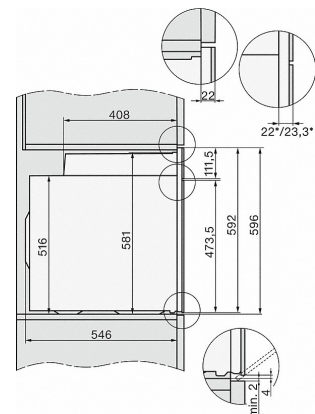


H226x-1B/BP/E/EP/I/IP, H2760B/BP, H28x0B/BP, H7x6xB/BP/BPX, installation drawings



H226x-1B/BP/E/EP/I/IP, H2x6xB/BP, H7x6xB/BP/BPX, installation drawings

If the oven is to be installed under a hob, follow the instructions for installing the hob and the height of the hob.



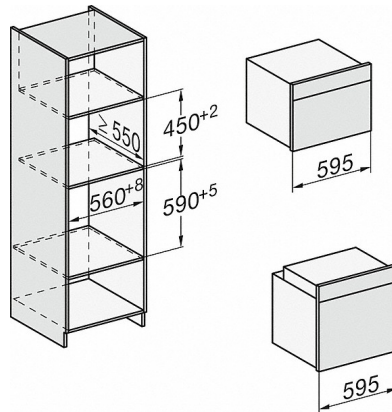
H2x6x-1B/BP/E/EP/I/IP, H2850BP, H7x6xB/BP/BPX, H2x6xB, installation drawings

- 1) Mains connection cable, L=2000 mm
- 2) No Connection in this area
- 3) Lüftungsausschnitt min. 150 cm<sup>2</sup>

H 7464 BPX

Handleless oven

seamless design with food probe and LED lighting.



H226x-1B/BP/E/EP/I/IP, H2760B/BP, H28x0B/BP,  
H7x40BM/BMX, H7x6xB/BP/BPX, installation drawings