



Teka **adds soul** to
your kitchen

HOBS



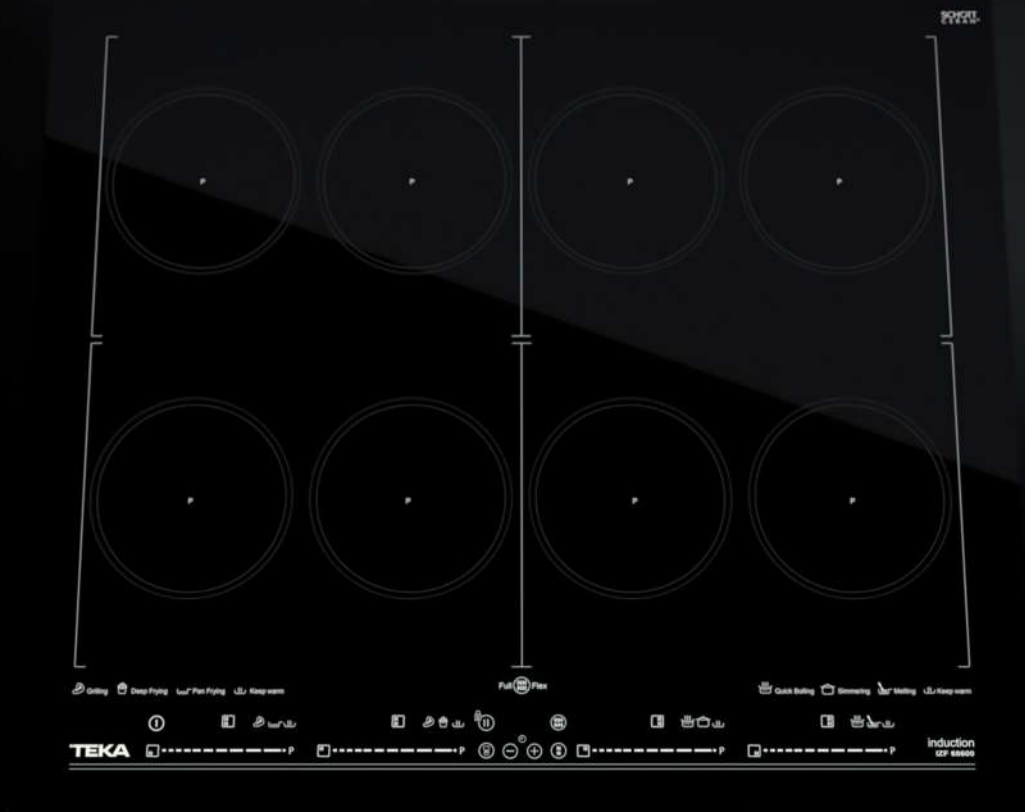
HOBS

CONTROL

iKnob

Feel the power of absolute control. An induction hob unique in every sense thanks to the exclusive design. Power and precision in just one control. The control of the hobs works with the removable knob with an extremely soft touch.

Satisfaction of
complete control



Higher level of **precision**

MultiSlider

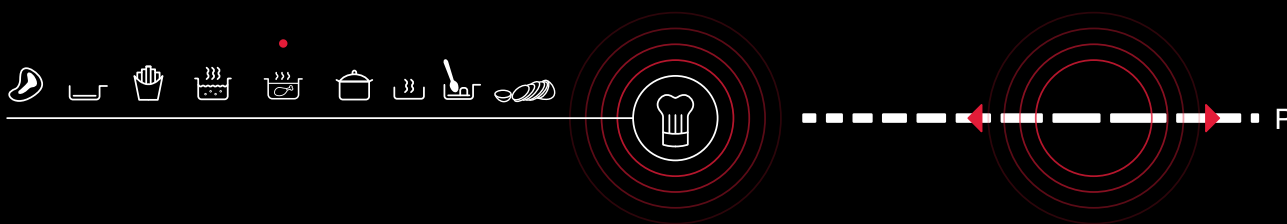
Independent and direct control of each part of the hob to reach a higher precision level. Slide your finger or press the power you need. You will never be wrong with your recipes thanks to the new touch control slider.





DirectFunctions

Temperature control by sensors avoids oil can reach excessively high temperatures. We take care of you through precision, thanks to the 8 intuitive functions.



Grilling 200°C

Ready to cook red meat and vegetables recipes at high temperature. Choose the best company to share your piece of art with and... bon appétit!



Deep Frying 180°C

The best program for deep frying. High precision to keep from high-temperature toxic substances. Healthy kitchen, enjoy safely your recipes.



Simmering 90°C

Perfect for your slow-cooked recipes. If you love stews and soups, this is the right program for you.



Melting 48°C

You can melt butter, chocolate or sugar with no fear of burning them.



Pan Frying 190°C

So many uses for just one program. Perfect to cook delicate food like fish, chicken, eggs and pancakes at perfect temperature.



Boiling 100°C

You can bring to boil 1 liter of water in 3 minutes. Speed and efficiency in your dishes and your kitchen.



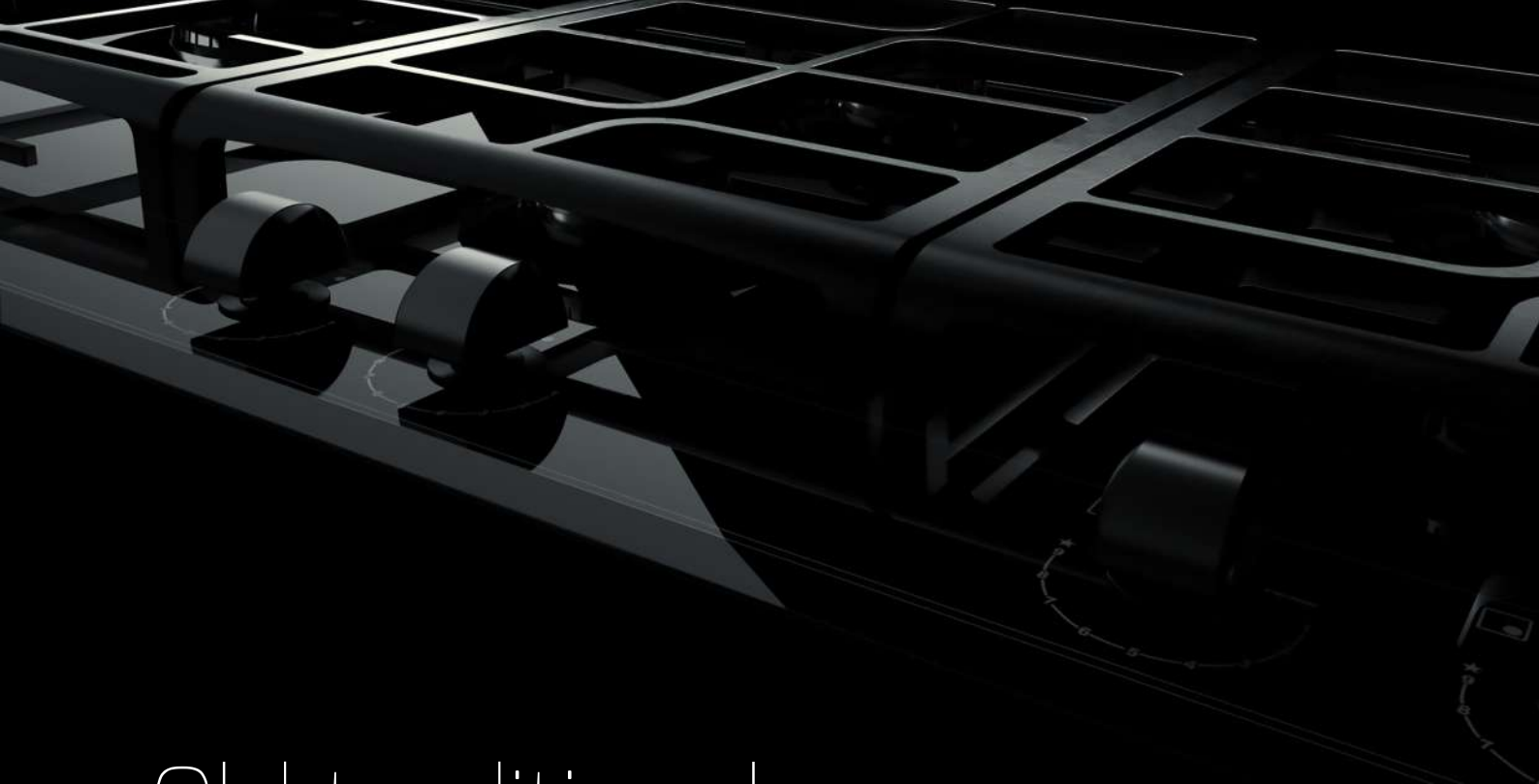
Keep Warm 60°C

Keep your recipes warm until you serve them on the table. Nobody likes cold food, don't you think?.



Confit 80°C

The perfect temperature to create homemade confit at low and constant temperature.



Old traditional cooking with the **newest technology**

ExactFlame

Trying to guess the power of the flame is just part of the past. With ExactFlame you can easily control flame intensity with the highest precision. You can choose a range of power from 1 to 9, ready for any kind of cooking you need at any time.



Cooking **without limits**



Full Flex DirectSense induction

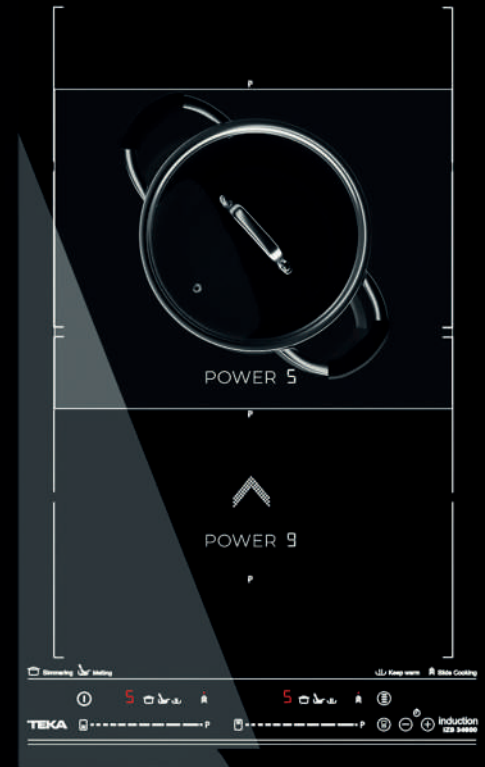
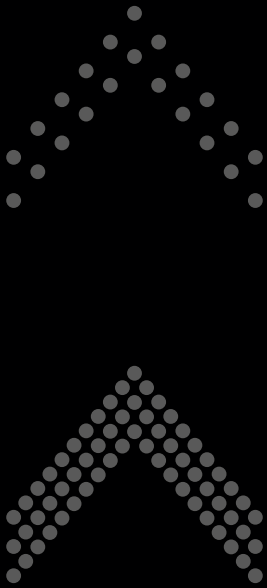
Cook with no limits thanks to its FullFlex technology using the whole cooking surface. Use your imagination and cook with recipients of any size, your recipes won't have limits.

DirectSense control the Temperature in the by sensors avoids oil can reach excessively high temperatures. Use your imagination and cook with recipients of any size at the perfect temperature without limits.

Space induction

Flex area is designed to use every single corner of the cooking area with different shape pans. Perfect for grids, grill, TeppanYaki or rectangular recipients.





Flex induction with SlideCooking

Just move the pan from place to place and SlideCooking feature will do the rest. The hob automatically changes the power for maximum convenience, so you will cook over a high flame (power 9), at the front part of the hob, medium (power 5) at the centre and you will keep your dishes warm at the bottom (power 3). A giant leap for comfort cooking. The flex area is perfect for grids, TeppanYaki grill, rectangular recipients or anything you can imagine. With a unique and useful design, each pan has the right cooking zone.

Just **slide & Cook**

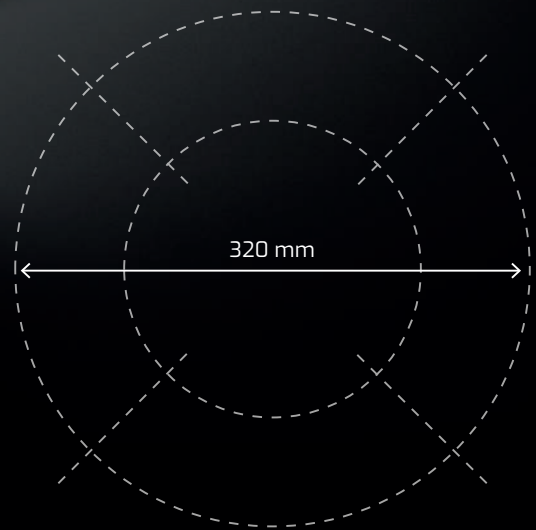


Go **one step further**
with your recipes...



SuperZone XL

Cooking for all the family or create that big paella you were talking about with friends weeks ago come to life. With Paella zone XXL, 320mm, everybody is welcome at home to enjoy meals. Cook with big pans for great moments.



SCHOTT
CERAN®

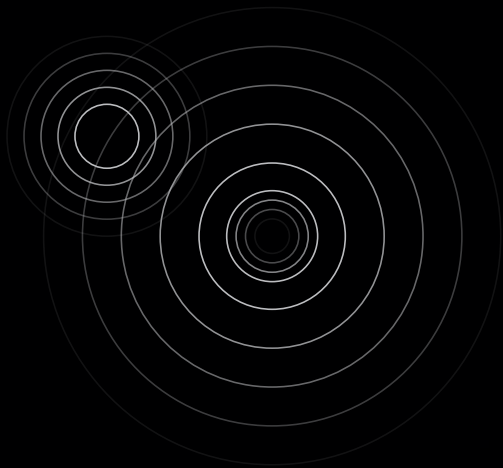
Schott

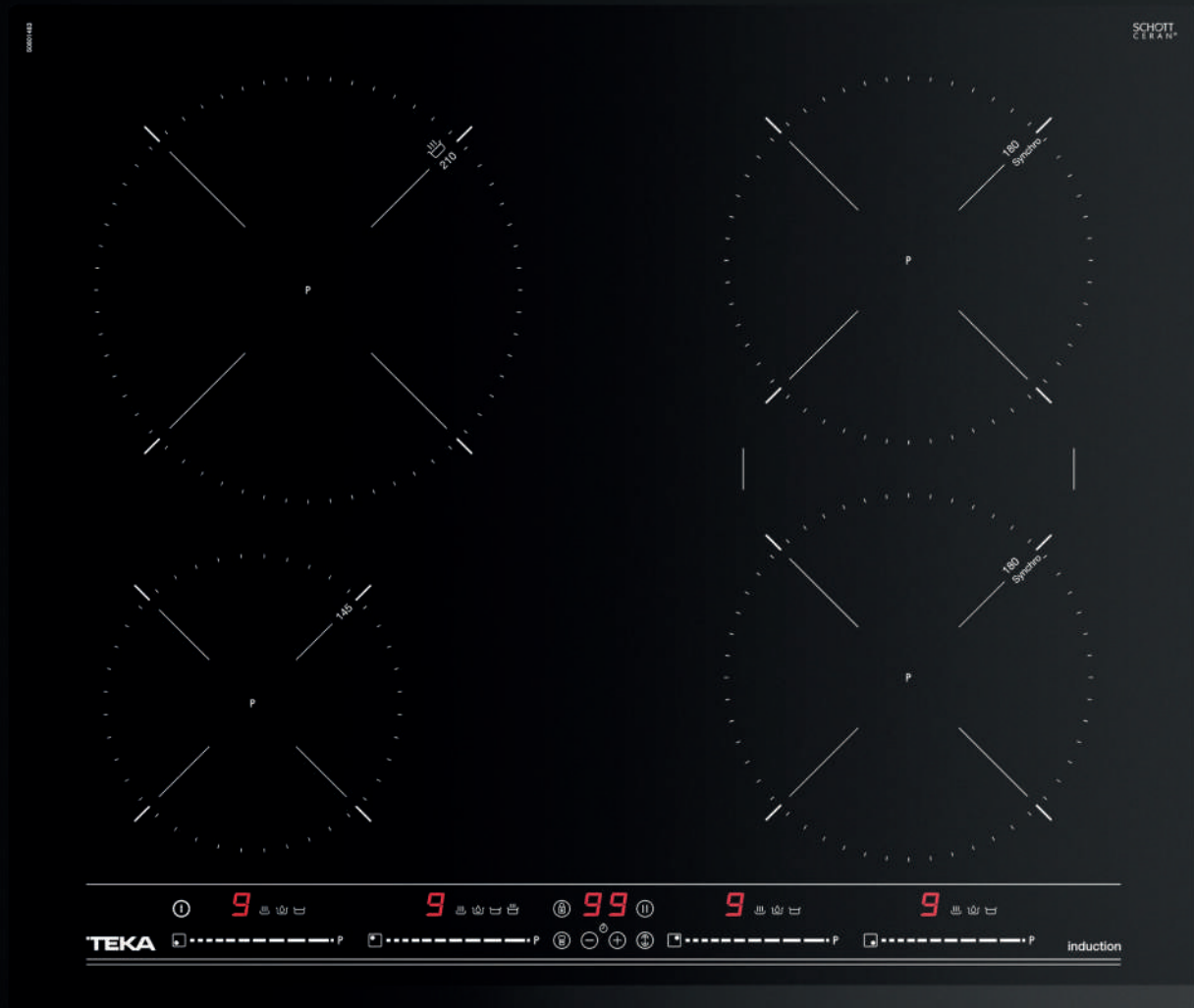
We know you choose Teka because you choose quality. That is why we work hard everyday to make that claim our life philosophy, where durability and resistance are definitely important features. We make our highest demands come true with Schott glasses, a market leader known for quality.

... and become **a real chef**

TemperatureSensors

Find the right cooking temperature for the best results can be a challenge. Thanks to temperature sensors we can reach a uniform and constant cooking temperature. A smart way to give you a helping hand in the kitchen.



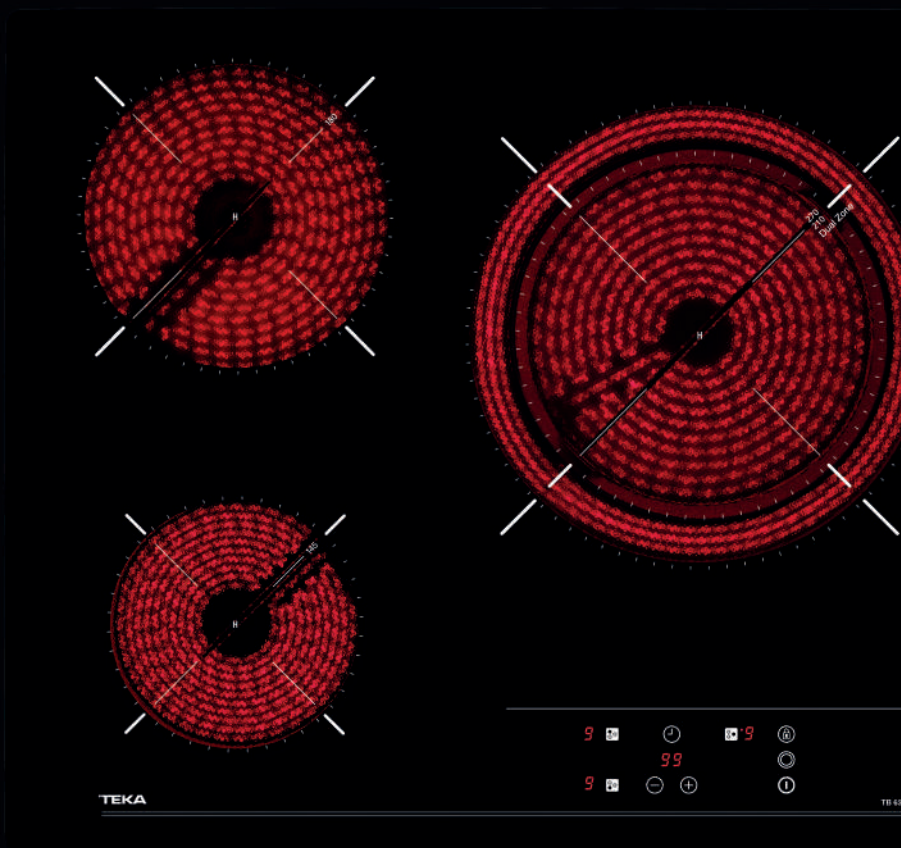


Inductions hobs

- Very fast
- Very easy to clean
- Direct heating
- Safety - Not burn on the surface

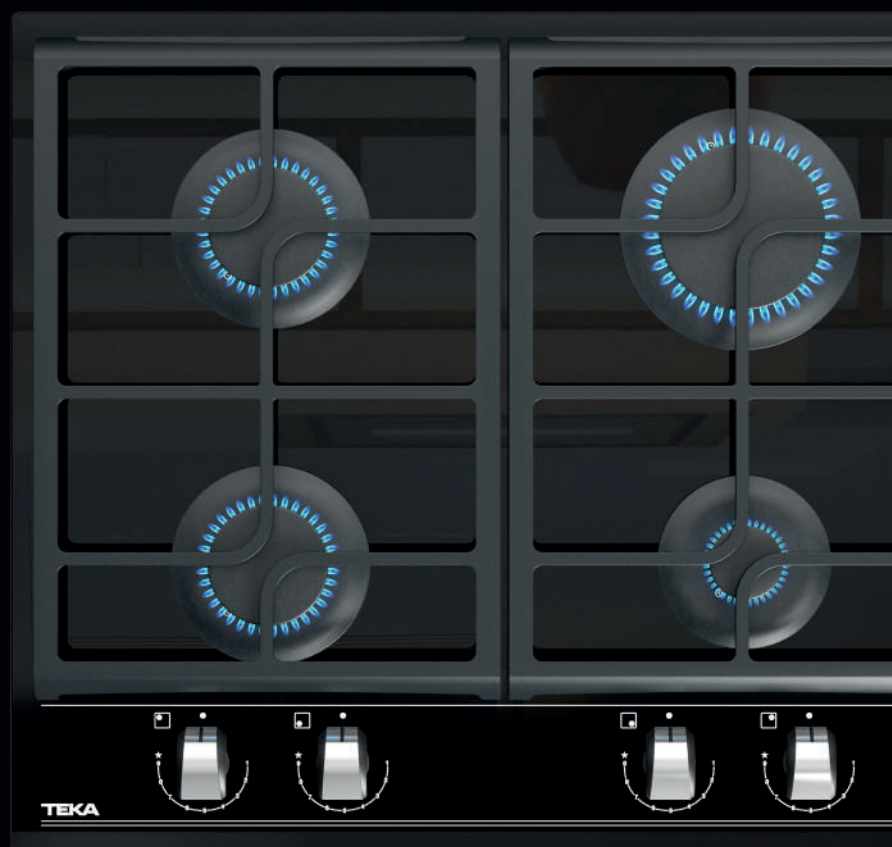
Vitroceramichobs

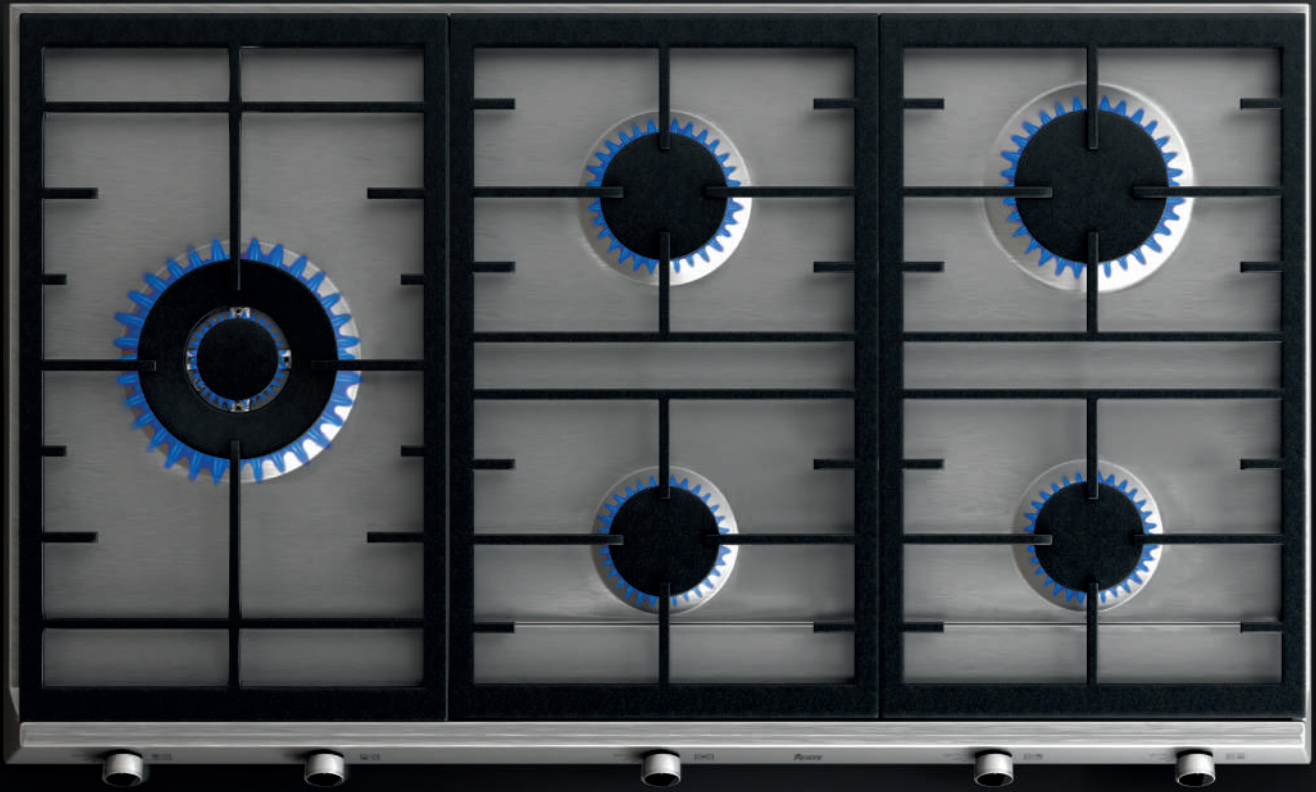
- More cost effective
- Easy bowl detection



Gas hobs

- Traditional cooking
- Direct control
- Fast
- Glass or stainless Steel surface





EX Gas hobs

Cast iron grids designed to use the whole surface. Made of iron and gathered so we can easily move recipients from one place to another. With high efficiency SABAF burners for a real energy saving up to 20% compared with traditional stoves, thanks to an impressive design.

Gas + induction together in the same space







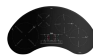


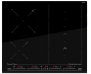
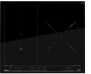
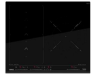

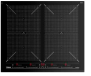



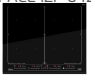






Take the advantages of two very different cooking technologies at the same time. Traditional mud kitchenware or the latest pans, is up to you. Cook your traditional mud pot stews or cooking easy and fast with the induction technology



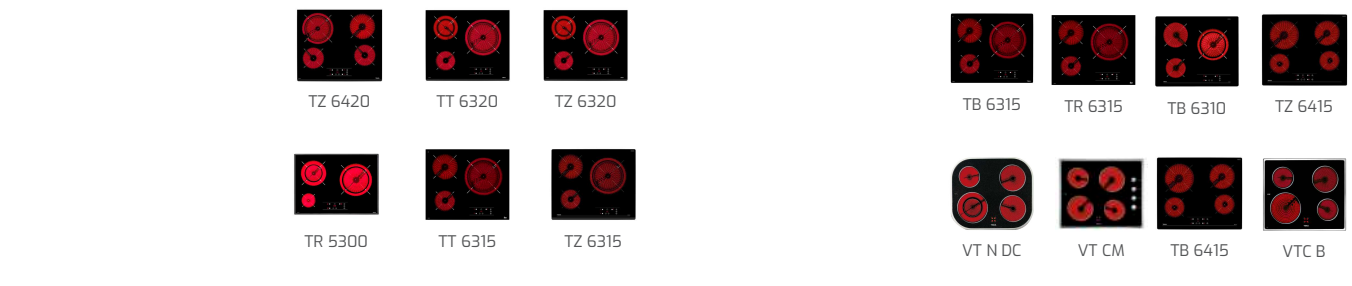
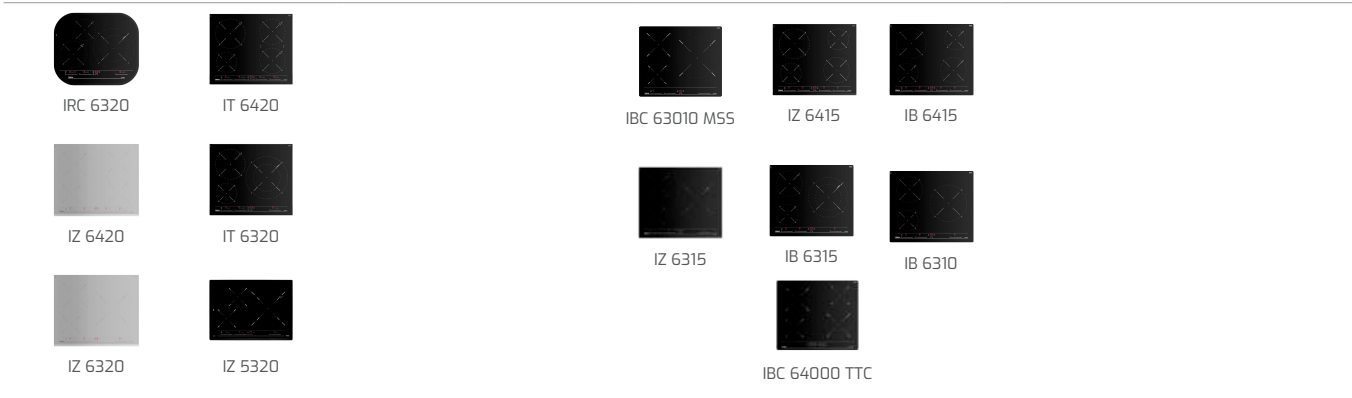
The Best of
Both Worlds































Hobs

Teka adds soul to your kitchen.

		MAESTRO									
		IKNOB			MULTISLIDER			TOUCH CONTROL			
INDUCTION	80/90		 IZS 96600	 SPACE IRF 9430	 IR 9530	 IR 8300 HS	 IR 8430	 IRF 9480 TFT	 IRC 9430 KS	 IR 9330 HS	 IZ 8320 HS
	60	 iKnob IT 6450	 IZS 66700	 SLIDE ITS 65600	 IZS 65600						
	 iKnob IT 6350	 SPACE IZF 6424	 SPACE IZF 6420	 SPACE ITF 6320			 IZ 7210				
	 DirectSense IZF 68600	 SPACE IZF 6320									
VITROCERAMIC	MODULAR		 IZS 34600	 IZC 42300	 IRF 3200		 IR 3200	 IR 4200			
	60/80							 TRC 83631			
	MODULAR										

TOTAL		EASY	
MULTISLIDER	TOUCH CONTROL	MULTISLIDER	TOUCH CONTROL



		MAESTRO		TOTAL				
		GASONGLASS	STAINLESS STEEL	GASONGLASS		STAINLESS STEEL		
GAS	90	 IG 940 1G AI AL DR CI	 EW 90 5G AI AL TR CI	 GZC 95320	 GZC 96310	 GZC 85320	 EFX 90.1 6G AI AL DR CI	 EX 90.1 5G AI AL DR CI
							 EFX 90.1 5G AI AL DR CI	
	70				 GZC 75330		 EX 70.1 5G AI AL DR CI	 EFX 70.1 5G AI AL DR CI
	60	 CGW LUX 60 TC 4G AI AL CI		 GZC 64300	 GZC 64320	 GZC 64321	 EFX 60.1 4G AI AL DR CI	 EX 60.1 4G AI AL CI
	 IG 620 1G AI AL DR CI		 GZC 63310			 EX 60.1 4G AI DR CI	 EX 60.1 4G AI AL DR	
	 IG 620 2G AI AL CI					 EFX 60.1 3G AI AL DR CI	 EP 60 4G AI CI	
						 EH 60 4G AI AL TR CI		
	MODULAR			 GZC 32300	 GZC 31330		 EFX 30.1 GRILL	 EFX 30.1 TEPPAN-YAKI
							 EFX 30.1 FRYER	

EASY

GASONGLASS

STAINLESS STEEL



GBC 75030



CGC 4G AI AL



GBC 64000



GBC 64003



CG.1 4G AI AL



GBC 63010



HLX 50 4G AL



HLX 60 3G 1P AI AL



E/60.3 3G 1P AL



E/60.3 4G AI AL



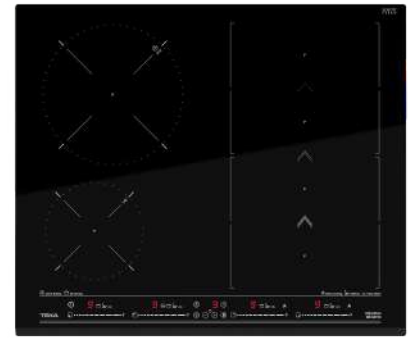
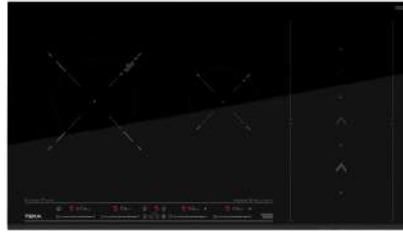
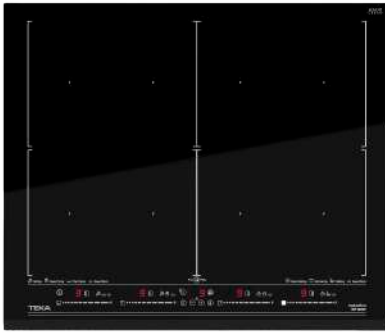
EFX 30.1 2G AI AL CI



EFX 30.1 2P-T



EFX 30.1 2P

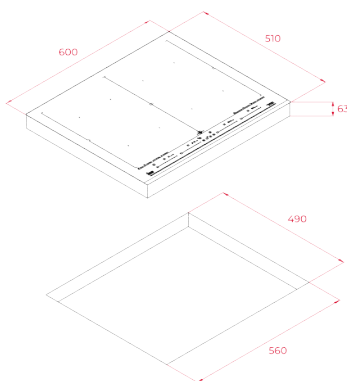


NEW

MAESTRO DIRECTSENSE IZF 68600



- Induction hob
- DirectSense with FullFlexFLEX induction
- Touch Control Multislider
- Cooking timer
- 7 cooking combinations (4 + 2 Flex zones + 1 Full Flex zone)
- - 4 zones of 263 x 195 mm
- - 2 Flex zones of 263 x 390 mm
- - 1 Full Flex zone of 525 x 390 mm
- Special cooking functions with temperature sensors: Grilling, Deep frying, Pan frying, KeepWarm, Boiling, Simmering and Melting
- Power Plus function
- Child lock
- Stop & Go function
- Silence mode
- Residual heat indicators
- Fast-Click easy installation
- Maximum nominal power: 7400 W



COLOR

Black Glass

FRAME Front bevelled glass

EXTERNAL DIMENSIONS

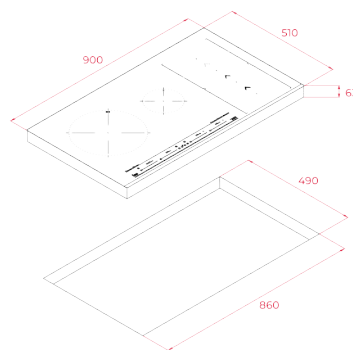
Height 63mm Width 600mm Depth 510mm

NEW

MAESTRO IZS 96600



- Induction hob
- FLEX induction with Slide Cooking function
- Touch Control Multislider
- Cooking timer
- 5 cooking combinations (4 + 1 Flex zone)
- -2 zones of 230 x 200 mm
- -1 Flex zone of 230 x 400 mm
- -1 double induction zone Ø 180 / 280 mm
- SlideCooking function available in the Flex zone
- Special cooking functions: Quick Boiling, Melting, Simmering and KeepWarm
- Power Plus function
- Child lock
- Stop & Go function
- Silence mode
- Residual heat indicators
- Fast-Click easy installation
- Maximum nominal power: 7400 W



COLOR

Black Glass

FRAME Front bevelled glass

EXTERNAL DIMENSIONS

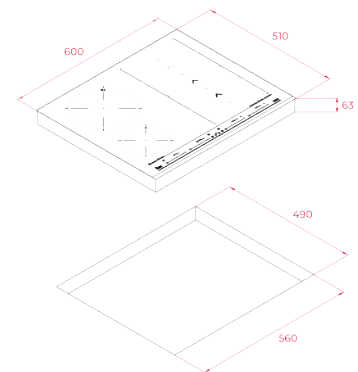
Height 63mm Width 900mm Depth 510mm

NEW

MAESTRO IZS 66700



- Induction hob
- FLEX induction with Slide Cooking function
- Touch Control Multislider
- Cooking timer
- 5 cooking combinations (4 + 1 Flex zone)
- -2 zones of 230 x 200 mm
- -1 Flex zone of 230 x 400 mm
- -1 induction zone of Ø 210 mm
- SlideCooking function available in the Flex zone
- Special cooking functions: Quick Boiling, Melting, Simmering and KeepWarm
- Power Plus function
- Child lock
- Stop & Go function
- Silence mode
- Residual heat indicators
- Fast-Click easy installation
- Maximum nominal power: 7400 W



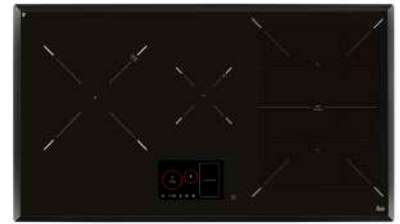
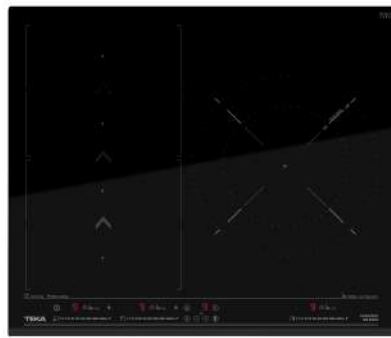
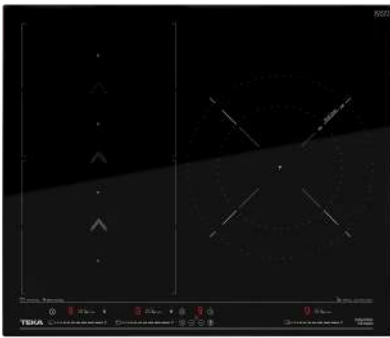
COLOR

Black Glass

FRAME Front bevelled glass

EXTERNAL DIMENSIONS

Height 63mm Width 600mm Depth 510mm

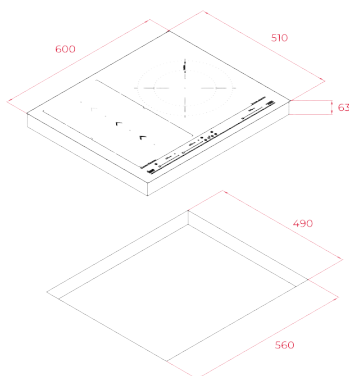


NEW

MAESTRO SLIDE ITS 65600



- Induction hob
- FLEX induction with Slide Cooking function
- Touch Control Multislider
- Cooking timer
- 4 cooking combinations (3 + 1 Flex zone)
- -2 zones of 230 x 200 mm
- -1 Flex zone of 230 x 400 mm
- -1 double induction zone of Ø 180 / 280 mm
- SlideCooking function available in the Flex zone
- Special cooking functions: Quick Boiling, Melting, Simmering and KeepWarm
- Power Plus function
- Child lock
- Stop & Go function
- Silence mode
- Residual heat indicators
- Fast-Click easy installation
- Maximum nominal power: 7400 W



COLOR

Black Glass

FRAME Slim metal frame

EXTERNAL DIMENSIONS

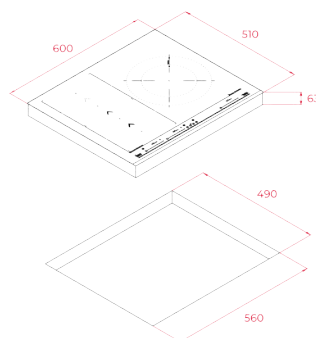
Height 63mm **Width** 600mm **Depth** 510mm

NEW

MAESTRO IZS 65600



- Induction hob
- FLEX induction with Slide Cooking function
- Touch Control Multislider
- Cooking timer
- 4 cooking combinations (3 + 1 Flex zone)
- -2 zones of 230 x 200 mm
- -1 Flex zone of 230 x 400 mm
- -1 double induction zone of Ø 180 / 280 mm
- Special cooking functions: Quick Boiling, Melting, Simmering and KeepWarm
- Power Plus function
- Child lock
- Stop & Go function
- Silence mode
- Residual heat indicators
- Fast-Click easy installation
- Maximum nominal power: 7400 W



COLOR

Black Glass

FRAME Front bevelled glass

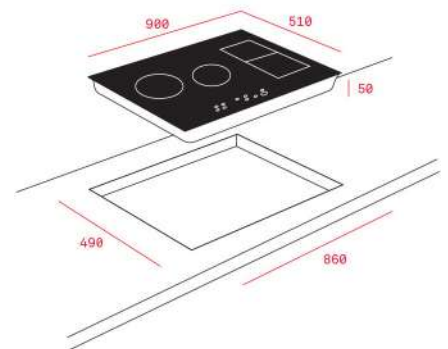
EXTERNAL DIMENSIONS

Height 63mm **Width** 600mm **Depth** 510mm

MAESTRO IRF 9480 TFT



- Space induction hob
- Full touch control
- 7" Touch screen color
- Cooking timer
- 4 cooking zones:
- -1 induction Ø 145 mm
- -2 induction 270 x 180 mm:
- FlexiZone 280 x 385 mm
- -1 induction Ø 280 mm
- 4 special cooking functions: Boiling, Simmering, Melting and KeepWarm
- Power Plus function
- Power management function
- Child lock
- Stop & Go Function
- Silence mode
- Residual heat indicators
- 15 Pre-programmed recipes
- Extra menus: Recipes, Planning, Utilities & Settings
- Maximum nominal power : 7400 W



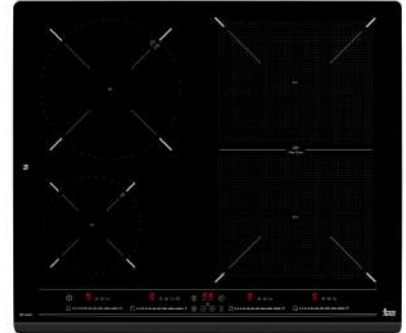
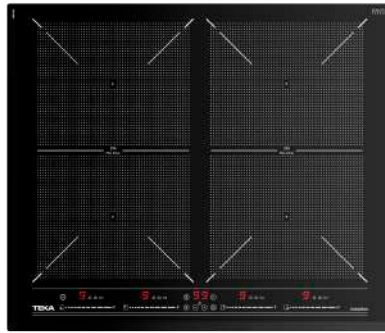
COLOR

Black Glass

FRAME Full bevelled glass

EXTERNAL DIMENSIONS

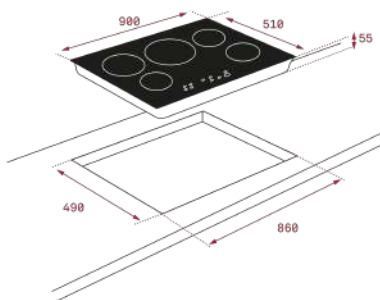
Height 50mm **Width** 900mm **Depth** 510mm



MAESTRO SPACE IRF 9430



- Space induction hob
- Touch control slider
- Cooking timer
- 4 cooking zones:
- 2 Flex induction 270 x 180 mm=280x385
- 1 induction Ø 280 mm
- 1 induction Ø 145 mm
- 1 FlexiZone 280 x 385 mm
- Power Plus function
- Child lock
- Stop & Go Function
- Residual heat indicators
- Synchro function
- Pan detector
- Low-temperature function
- Maximum nominal power : 7400 W



COLOR

Black Glass

FRAME Full bevelled glass

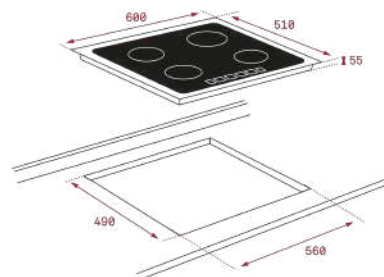
EXTERNAL DIMENSIONS

Height 50mm Width 900mm Depth 510mm

MAESTRO SPACE IZF 6424



- Space induction hob
- Touch Control Multislider
- 2 FlexiZone 235x395 mm
- Cooking timer
- 4 cooking zones:
- -4 induction 235 x 180 mm
- 2 FlexiZone 235 x 395 mm
- 3 special cooking functions: Simmering, Melting and KeepWarm
- Power Plus function
- Power Management function
- Child lock
- Stop & Go Function
- Silence mode
- Residual heat indicators
- Synchro function
- Pan detector
- Maximum nominal power : 7400 W



COLOR

Black Glass

FRAME Front bevelled glass

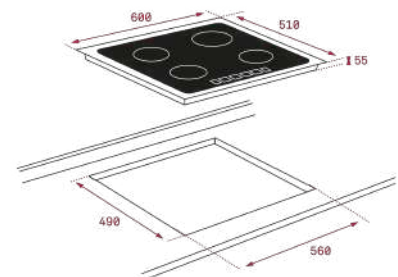
EXTERNAL DIMENSIONS

Height 50mm Width 600mm Depth 510mm

MAESTRO SPACE IZF 6420



- Space induction hob
- Touch Control Multislider
- Cooking timer
- 4 cooking zones:
- -2 induction 235 x 180 mm
- -1 induction Ø 210 mm
- -1 induction Ø 145 mm
- 1 FlexiZone 235x395 mm
- 4 special cooking functions: Boiling, Simmering, Melting and KeepWarm
- Power Plus function
- Power Management function
- Child lock
- Stop & Go Function
- Silence mode
- Residual heat indicators
- Synchro function
- Pan detector
- Maximum nominal power : 7400 W



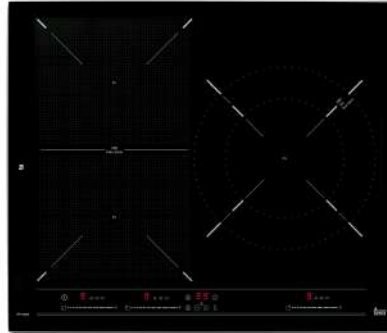
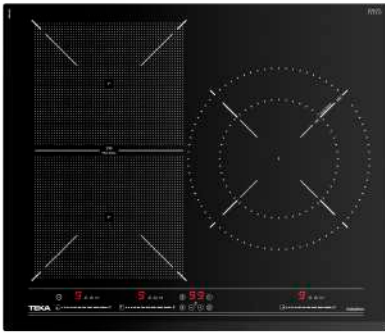
COLOR

Black Glass

FRAME Front bevelled glass

EXTERNAL DIMENSIONS

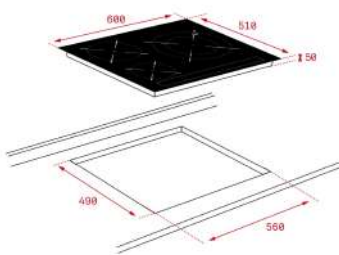
Height 50mm Width 600mm Depth 510mm



MAESTRO SPACE IZF 6320



- Space induction hob
- Touch Control Multislider
- Cooking timer
- 3 cooking zones:
- -2 Flex induction 235 x 180 mm
- -1 induction Ø 180/280 mm
- 1 FlexiZone 235x395 mm
- 3 special cooking functions: Simmering, Melting and KeepWarm
- Power Plus function
- Power management function
- Child lock
- Stop & Go Function
- Silence mode
- Residual heat indicators
- Synchro function
- Pan detector
- Maximum nominal power : 7400 W



COLOR

Black Glass

FRAME Front bevelled glass

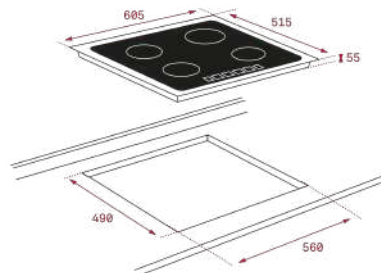
EXTERNAL DIMENSIONS

Height 50mm Width 600mm Depth 510mm

MAESTRO SPACE ITF 6320



- Space induction hob
- Touch Control Multislider
- Cooking timer
- 3 cooking zones:
- -2 Flex induction 235 x 180 mm
- -1 induction Ø 180/280 mm
- 1 FlexiZone 235x395 mm
- 3 special cooking functions: Simmering, Melting and KeepWarm
- Power Plus function
- Power management function
- Child lock
- Stop & Go Function
- Silence mode
- Residual heat indicators
- Synchro function
- Pan detector
- Maximum nominal power : 7400 W



COLOR

Black Glass

FRAME Slim metal frame

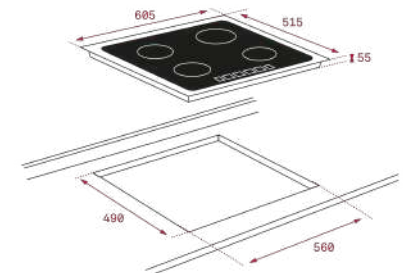
EXTERNAL DIMENSIONS

Height 50mm Width 605mm Depth 515mm

MAESTRO IKNOB IT 6450



- Induction hob
- iKnob touch control
- Cooking timer
- 4 cooking zones:
- -1 induction ø 145 mm
- -1 induction ø 210 mm
- -1 induction ø 180 mm
- -1 induction ø 180 mm
- Special cooking functions: Boiling & KeepWarm function
- Power Plus Function
- Power Management function
- Child lock
- Stop & Go Function
- Silence mode
- Residual heat indicators
- Synchro function
- Pan detector
- Maximum nominal power: 7400 W



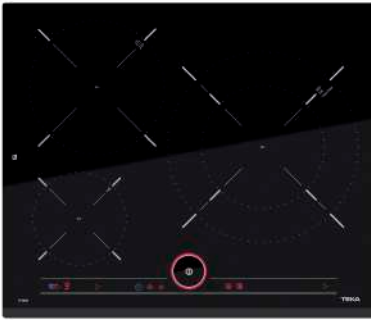
COLOR

Black Glass

FRAME Slim metal frame

EXTERNAL DIMENSIONS

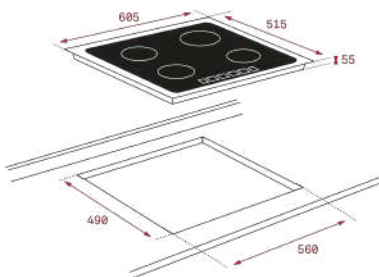
Height 50mm Width 605mm Depth 515mm



MAESTRO IKNOB IT 6350



- Induction hob
- iKnob touch control
- Cooking timer
- 3 cooking zones:
- -1 induction Ø 190/300 mm
- -1 induction Ø 210 mm
- -1 induction Ø 145 mm
- Special cooking functions: Boiling & KeepWarm function
- Power Management function
- Power Plus Function
- Child lock
- Stop & Go Function
- Silence mode
- Residual heat indicators
- Pan detector
- Maximum nominal power : 7400 W



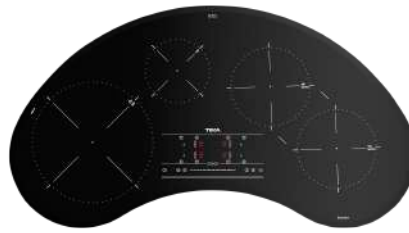
COLOR

Black Glass

FRAME Slim metal frame

EXTERNAL DIMENSIONS

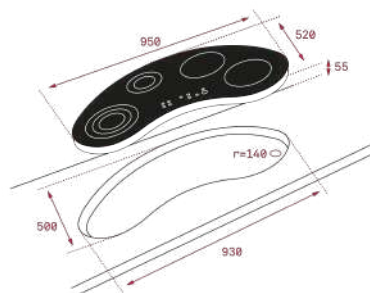
Height 50mm Width 605mm Depth 515mm



MAESTRO IRC 9430 KS



- Induction hob
- Touch Control Slider
- Cooking timer
- 4 cooking zones + Synchro:
- -1 induction ø 280 mm
- -1 induction ø 145 mm
- -1 induction ø 180 mm
- -1 induction ø 180 mm
- Special cooking functions: Boiling & KeepWarm function
- Residual heat indicators
- Power Plus function
- Stop & Go function
- Maximum nominal power : 7400 W



COLOR

Black Glass

FRAME Full bevelled glass

EXTERNAL DIMENSIONS

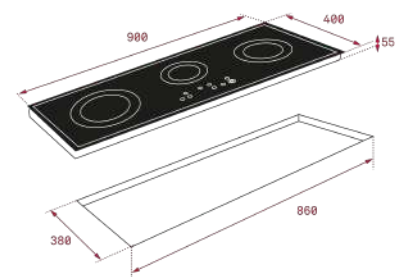
Height 55mm Width 950mm Depth 520mm



MAESTRO IR 9330 HS



- Induction hob
- Touch control slider
- Cooking timer
- 3 cooking zones:
- -1 induction Ø 180/280 mm
- -1 induction Ø 210 mm
- -1 induction Ø 145 mm
- Boiling function
- Power Plus function
- Child lock
- Stop & Go Function
- Residual heat indicators
- Synchro function
- Pan detector
- Low-temperature function
- Maximum nominal power : 7400 W



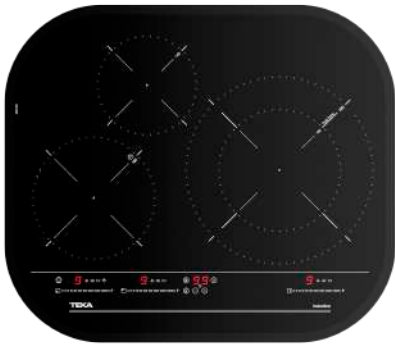
COLOR

Black Glass

FRAME Full bevelled glass

EXTERNAL DIMENSIONS

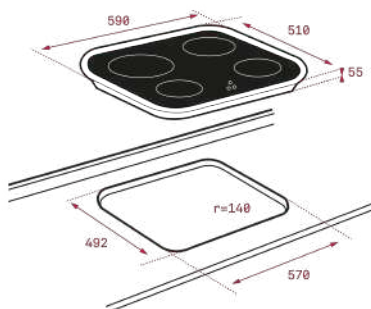
Height 50mm Width 900mm Depth 400mm



TOTAL IRC 6320



- Touch Control Multislider
- Cooking timer
- 3 cooking zones:
 - - 1 induction Ø145 mm
 - - 1 induction Ø180 mm
 - - 1 induction Ø180 / 280 mm
- Special cooking functions: Boiling, simmering, melting and KeepWarm
- Power Plus function
- Child lock
- Stop & Go function
- Silence mode
- Maximum nominal power: 5.900 W



COLOR

Black Glass

FRAME Full bevelled glass

EXTERNAL DIMENSIONS

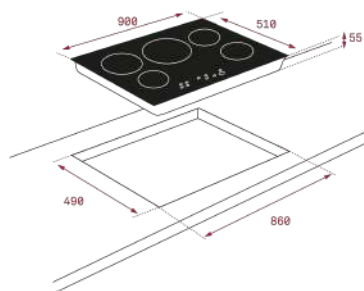
Height 55mm Width 590mm Depth 510mm



MAESTRO IR 9530



- Touch Control Slider
- Cooking timer
- 5 cooking zones
 - - 1 induction ø 210 mm
 - - 1 induction ø190/300 mm
 - - 1 induction ø 145 mm
 - - 1 induction ø 180 mm
 - - 1 induction ø 180 mm
- Special cooking functions: Boiling, KeepWarm function
- Power Plus function
- Stop & Go function
- Synchro function
- Maximum nominal power : 11.000 W



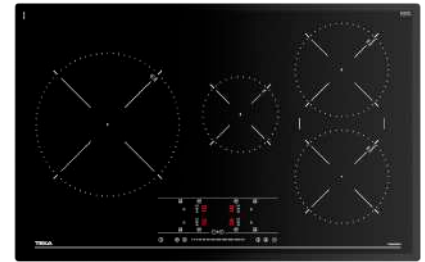
COLOR

Black Glass

FRAME Full bevelled glass

EXTERNAL DIMENSIONS

Height 50mm Width 900mm Depth 510mm



MAESTRO IR 8430



- Touch Control Slider
- Cooking timer
- 4 cooking zones + Synchro
 - -1 induction ø 280 mm
 - -1 induction ø 145 mm
 - -1 induction ø 180 mm
 - -1 induction ø 180 mm
- Special cooking functions: Boiling, KeepWarm function
- Power Plus function
- Stop & Go function
- Maximum nominal power : 7.400 W



COLOR

Black Glass

FRAME Full bevelled glass

EXTERNAL DIMENSIONS

Height 50mm Width 800mm Depth 510mm

HOBS



NEW

MAESTRO IZ 8320 HS



- Touch Control Multislider
- Cooking timer
- 3 zones cooking zones:
- -1 induction Ø145 mm
- -1 induction Ø210 mm
- -1 induction Ø190 / 300 mm
- Special cooking functions: Boiling, simmering, melting and heat maintenance
- Power Plus function
- Stop & Go function
- Silence mode
- Maximum nominal power: 7400 W

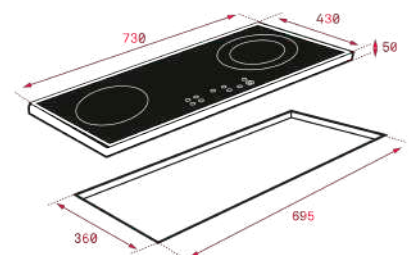
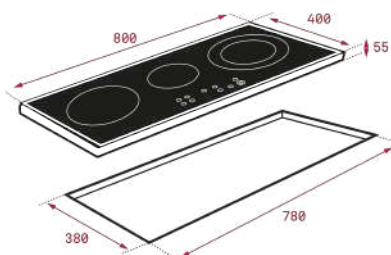
MAESTRO IR 8300 HS



- Induction hob
- Touch control
- Cooking timer
- 3 cooking zones:
- -1 induction Ø 180/280 mm
- -1 induction Ø 210 mm
- -1 induction Ø 145 mm
- KeepWarm function
- Power Plus function
- Power management function
- Child lock
- Silence mode
- Residual heat indicators
- Low-temperature function
- Maximum nominal power : 7400 W

MAESTRO IZ 7210

- Induction hob
- Touch Control
- Cooking timer
- 2 cooking zones
- 1 induction ø 240 mm
- 1 induction ø 280 mm
- Power function
- Residual heat indicators
- Child lock
- Maximum nominal power : 3.500 W



COLOR

Black Glass

FRAME Front bevelled glass

EXTERNAL DIMENSIONS

Height 55mm Width 800mm Depth 400mm

COLOR

Black Glass

FRAME Frameless

EXTERNAL DIMENSIONS

Height 50mm Width 800mm Depth 400mm

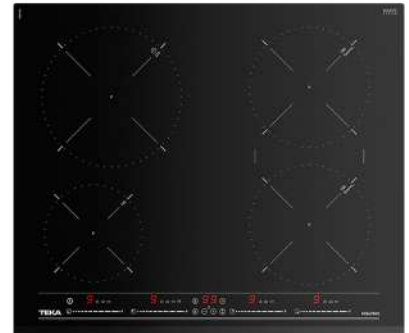
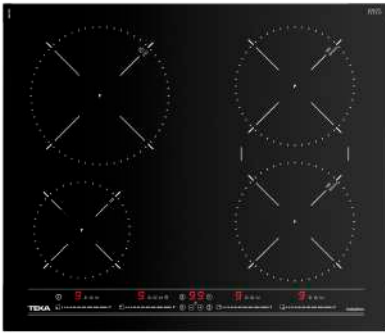
COLOR

Black Glass

FRAME Front bevelled glass

EXTERNAL DIMENSIONS

Height 60mm Width 730mm Depth 430mm



NEW

TOTAL IZ 6420

NEW

TOTAL IZ 6420

TOTAL IT 6420



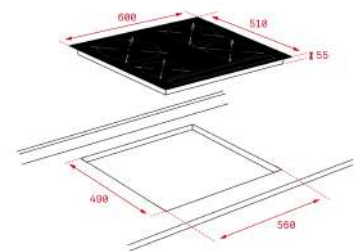
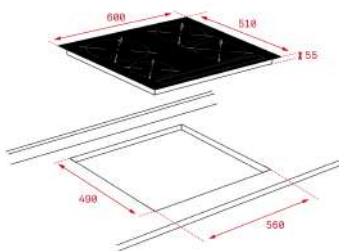
- Touch control MultiSlider
- individual Cooking timer for each cooking zone
- 4 cooking zones + Synchro
- -1 induction ø 145 mm
- -1 induction ø 210 mm
- -1 induction ø 180 mm
- -1 induction ø 180 mm
- Special cooking functions: QuickBoiling, Simmering, Melting and KeepWarm
- Power Plus function
- Power management function
- Child lock
- Stop & Go function
- Silence Mode
- Residual heat indicator
- Maximum nominal power: 7400 W



- Urban Colors Edition
- Induction hob
- Touch Control Multislider
- Cooking timer
- 5 cooking zones (4 zones + synchro)
- - 1 induction Ø145 mm
- - 1 induction Ø180 mm
- - 1 induction Ø180 mm
- - 1 induction Ø210 mm
- Special cooking functions: QuickBoiling, Simmering, Melting and KeepWarm
- Power Plus function
- Child lock
- Stop & GO function
- Silence mode
- Residual heat indicators
- Fast-Click easy installation
- Synchro function
- Maximum nominal power: 7400 W



- Urban Colors Edition
- Induction hob
- Touch Control Multislider
- Cooking timer
- 5 cooking zones (4 zones + synchro)
- - 1 induction Ø145 mm
- - 1 induction Ø180 mm
- - 1 induction Ø180 mm
- - 1 induction Ø210 mm
- Special cooking functions: QuickBoiling, Simmering, Melting and KeepWarm
- Power Plus function
- Child lock
- Stop & GO function
- Silence mode
- Residual heat indicators
- Fast-Click easy installation
- Synchro function
- Maximum nominal power: 7400 W



COLOR

Black Glass

FRAME Slim metal frame

EXTERNAL DIMENSIONS

Height 50mm Width 605mm Depth 515mm

COLOR

Steam grey glass

FRAME Front bevelled glass

EXTERNAL DIMENSIONS

Height 50mm Width 600mm Depth 510mm

COLOR

Black Glass

FRAME Front bevelled glass

EXTERNAL DIMENSIONS

Height 50mm Width 600mm Depth 510mm

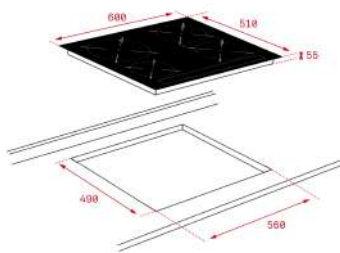


NEW

TOTAL IZ 6420



- Urban Colors Edition
- Induction hob
- Touch Control Multislider
- Cooking timer
- 5 cooking zones (4 zones + synchro)
- - 1 induction Ø145 mm
- - 1 induction Ø180 mm
- - 1 induction Ø180 mm
- - 1 induction Ø210 mm
- Special cooking functions: QuickBoiling, Simmering, Melting and KeepWarm
- Power Plus function
- Child lock
- Stop & GO function
- Silence mode
- Residual heat indicators
- Fast-Click easy installation
- Synchro function
- Maximum nominal power: 7400 W



COLOR

 White Glass

FRAME Front bevelled glass

EXTERNAL DIMENSIONS

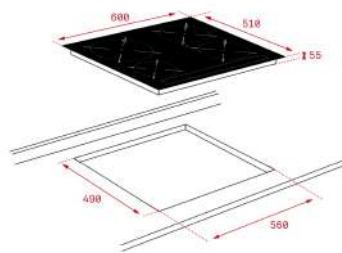
Height 50mm Width 600mm Depth 510mm

NEW

TOTAL IZ 6420



- Urban Colors Edition
- Induction hob
- Touch Control Multislider
- Cooking timer
- 5 cooking zones (4 zones + synchro)
- - 1 induction Ø145 mm
- - 1 induction Ø180 mm
- - 1 induction Ø180 mm
- - 1 induction Ø210 mm
- Special cooking functions: QuickBoiling, Simmering, Melting and KeepWarm
- Power Plus function
- Child lock
- Stop & GO function
- Silence mode
- Residual heat indicators
- Fast-Click easy installation
- Synchro function
- Maximum nominal power: 7400 W



COLOR

 Stone grey glass

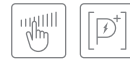
FRAME Front bevelled glass

EXTERNAL DIMENSIONS

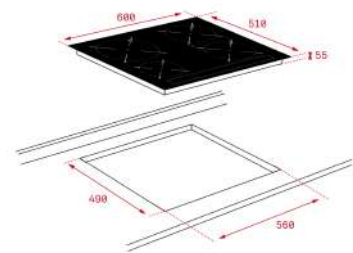
Height 50mm Width 600mm Depth 510mm

NEW

TOTAL IZ 6420



- Urban Colors Edition
- Induction hob
- Touch Control Multislider
- Cooking timer
- 5 cooking zones (4 zones + synchro)
- - 1 induction Ø145 mm
- - 1 induction Ø180 mm
- - 1 induction Ø180 mm
- - 1 induction Ø210 mm
- Special cooking functions: QuickBoiling, Simmering, Melting and KeepWarm
- Power Plus function
- Child lock
- Stop & GO function
- Silence mode
- Residual heat indicators
- Fast-Click easy installation
- Synchro function
- Maximum nominal power: 7400 W



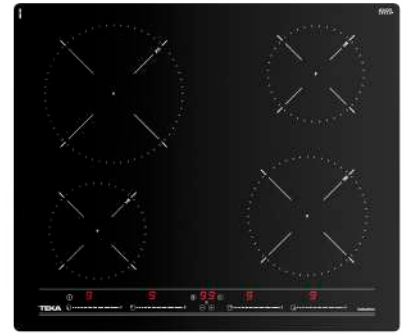
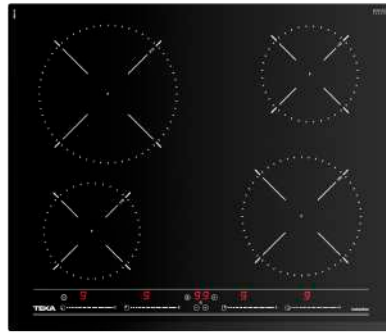
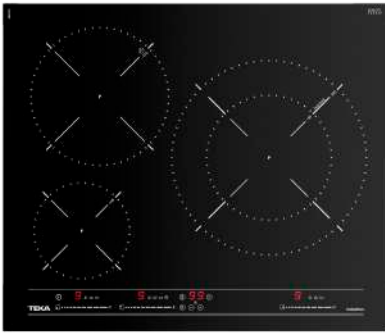
COLOR

 London brick brown glass

FRAME Front bevelled glass

EXTERNAL DIMENSIONS

Height 50mm Width 600mm Depth 510mm

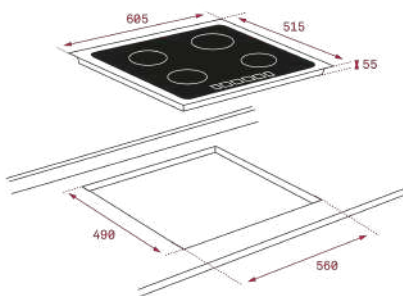


NEW

TOTAL IT 6320



- Induction hob
- MultiSlider touch control
- Cooking timer
- 3 cooking zones:
- -1 induction Ø 190/300 mm
- -1 induction Ø 210 mm
- -1 induction Ø 145 mm
- Power Plus function
- 4 special cooking functions: Boiling, Simmering, Melting and KeepWarm
- Power management function
- Child lock
- Stop & Go Function
- Silence mode
- Residual heat indicators
- Maximum nominal power : 7400 W



COLOR

Black Glass

FRAME Slim metal frame

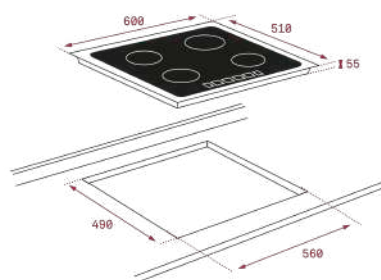
EXTERNAL DIMENSIONS

Height 50mm **Width** 605mm **Depth** 515mm

EASY IZ 6415



- Induction hob
- MultiSlider touch control
- Cooking timer
- 4 cooking zones:
- -1 induction ø 145 mm
- -1 induction ø 210 mm
- -1 induction ø 180 mm
- -1 induction ø 145 mm
- Stop & Go function
- Silence mode
- Residual heat indicator
- Maximum nominal power : 7.200 W



COLOR

Black Glass

FRAME Front bevelled glass

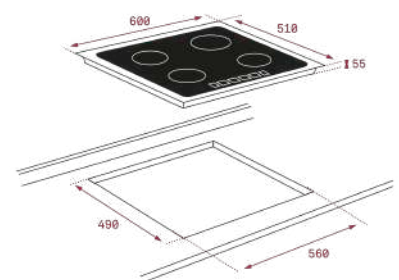
EXTERNAL DIMENSIONS

Height 50mm **Width** 600mm **Depth** 510mm

EASY IB 6415



- Induction hob
- MultiSlider touch control
- 4 cooking zones:
- -1 induction ø 145 mm
- -1 induction ø 210 mm
- -1 induction ø 180 mm
- -1 induction ø 145 mm
- Power function
- Power management function
- Stop & Go function
- Silence mode
- Residual heat indicator
- Maximum nominal power : 7.200 W



COLOR

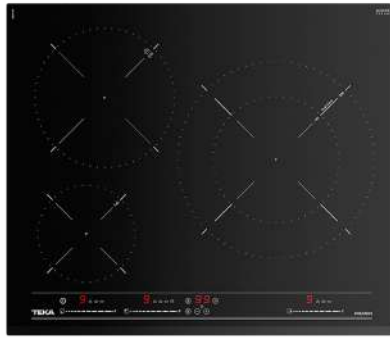
Black Glass

FRAME C-edged glass

EXTERNAL DIMENSIONS

Height 50mm **Width** 600mm **Depth** 510mm

HOBS

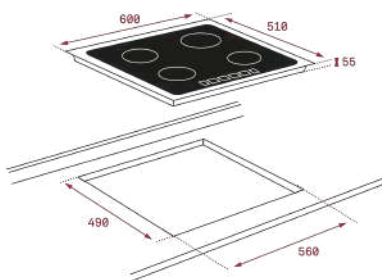


NEW


TOTAL IZ 6320



- Urban Colors Edition
- Induction hob
- Touch Control Multislider
- Cooking timer
- 3 induction zones:
 - - 1 induction Ø145 mm
 - - 1 induction Ø210 mm
 - - 1 induction Ø190/300 mm
- Special cooking functions: Quick Boiling, Melting, Simmering and KeepWarm
- Power Plus function
- Child lock
- Stop & Go function
- Silence mode
- Residual heat indicator
- Fast-Click easy installation
- Maximum nominal power: 7400 W



COLOR

 Steam grey glass

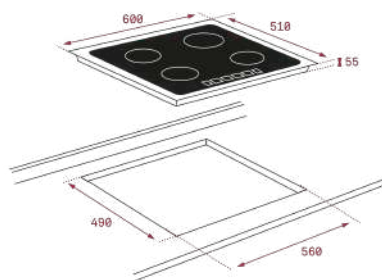
FRAME Front bevelled glass

EXTERNAL DIMENSIONS

Height 50mm Width 600mm Depth 510mm



- Urban Colors Edition
- Induction hob
- Touch Control Multislider
- Cooking timer
- 3 induction zones:
 - - 1 induction Ø145 mm
 - - 1 induction Ø210 mm
 - - 1 induction Ø190/300 mm
- Special cooking functions: Quick Boiling, Melting, Simmering and KeepWarm
- Power Plus function
- Child lock
- Stop & Go function
- Silence mode
- Residual heat indicator
- Fast-Click easy installation
- Maximum nominal power: 7400 W



COLOR

 Black Glass

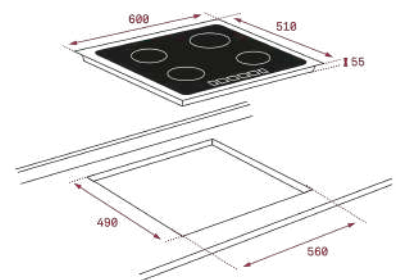
FRAME Front bevelled glass

EXTERNAL DIMENSIONS

Height 50mm Width 600mm Depth 510mm



- Urban Colors Edition
- Induction hob
- Touch Control Multislider
- Cooking timer
- 3 induction zones:
 - - 1 induction Ø145 mm
 - - 1 induction Ø210 mm
 - - 1 induction Ø190/300 mm
- Special cooking functions: Quick Boiling, Melting, Simmering and KeepWarm
- Power Plus function
- Child lock
- Stop & Go function
- Silence mode
- Residual heat indicator
- Fast-Click easy installation
- Maximum nominal power: 7400 W



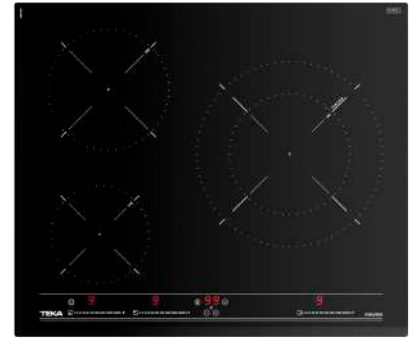
COLOR

 White Glass

FRAME Front bevelled glass

EXTERNAL DIMENSIONS

Height 50mm Width 600mm Depth 510mm



NEW

TOTAL IZ 6320



- Urban Colors Edition
- Induction hob
- Touch Control Multislider
- Cooking timer
- 3 induction zones:
- - 1 induction Ø145 mm
- - 1 induction Ø210 mm
- - 1 induction Ø190/300 mm
- Special cooking functions: Quick Boiling, Melting, Simmering and KeepWarm
- Power Plus function
- Child lock
- Stop & Go function
- Silence mode
- Residual heat indicator
- Fast-Click easy installation
- Maximum nominal power: 7400 W

NEW

TOTAL IZ 6320



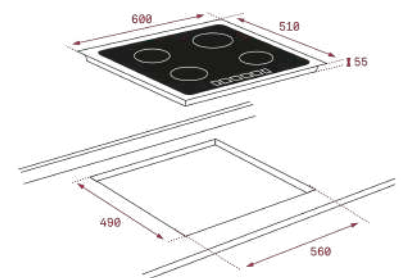
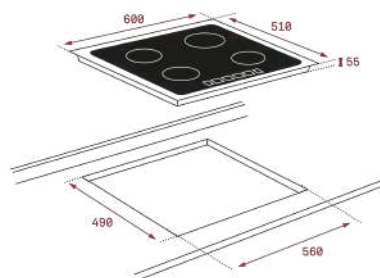
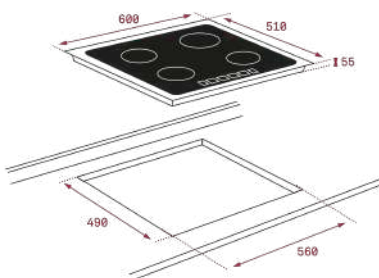
- Urban Colors Edition
- Induction hob
- Touch Control Multislider
- Cooking timer
- 3 induction zones:
- - 1 induction Ø145 mm
- - 1 induction Ø210 mm
- - 1 induction Ø190/300 mm
- Special cooking functions: Quick Boiling, Melting, Simmering and KeepWarm
- Power Plus function
- Child lock
- Stop & Go function
- Silence mode
- Residual heat indicator
- Fast-Click easy installation
- Maximum nominal power: 7400 W

NEW

EASY IZ 6315



- Induction hob
- Cooking timer
- 4 cooking zones:
- 1 induction Ø 180/280 mm
- 1 induction Ø 180 mm
- 1 induction Ø 145 mm
- Power Plus function
- Child lock
- Stop & Go Function
- Silence mode
- Residual heat indicator
- Power Management function
- Maximum nominal power : 7.200 W



COLOR

Stone grey glass

FRAME Front bevelled glass

EXTERNAL DIMENSIONS

Height 50mm Width 600mm Depth 510mm

COLOR

London brick brown glass

FRAME Front bevelled glass

EXTERNAL DIMENSIONS

Height 50mm Width 600mm Depth 510mm

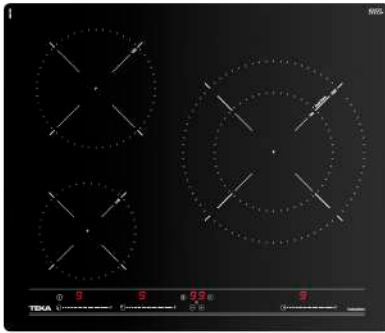
COLOR

Black Glass

FRAME Front bevelled glass

EXTERNAL DIMENSIONS

Height 50mm Width 600mm Depth 510mm

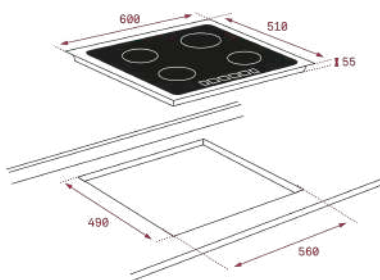


NEW

EASY IB 6315



- Induction hob
- MultiSlider touch control
- Cooking timer
- 3 cooking zones:
 - 1 induction Ø 210 mm
 - 1 induction Ø 180 mm
 - 1 induction Ø 145 mm
- Power Plus function
- Child lock
- Stop & Go function
- Silence mode
- Residual heat indicator
- Maximum nominal power : 7.200 W



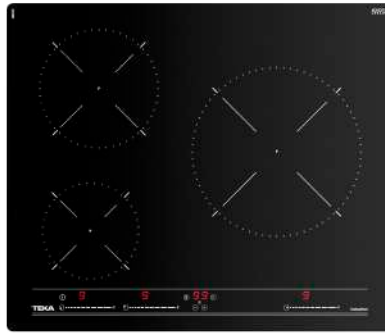
COLOR

Black Glass

FRAME C-edged glass

EXTERNAL DIMENSIONS

Height 50mm **Width** 600mm **Depth** 510mm

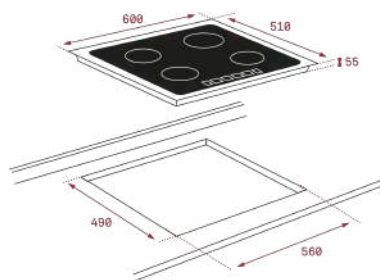


NEW

EASY IB 6310



- Induction hob
- MultiSlider touch control
- Cooking timer
- 3 cooking zones:
 - 1 induction Ø 260 mm
 - 1 induction Ø 180 mm
 - 1 induction Ø 145 mm
- Power Plus function
- Child lock
- Stop & Go function
- Silence mode
- Residual heat indicators
- Maximum nominal power : 5.900 W



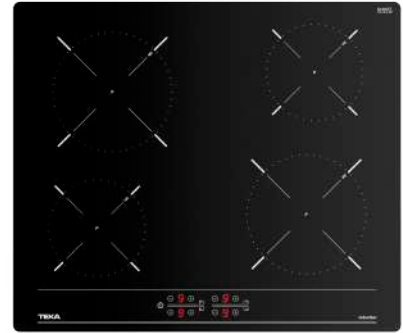
COLOR

Black Glass

FRAME C-edged glass

EXTERNAL DIMENSIONS

Height 50mm **Width** 600mm **Depth** 510mm

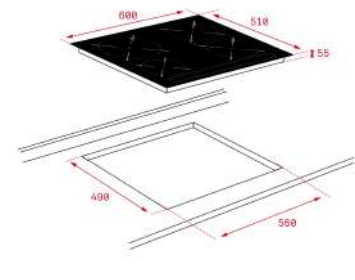


NEW

EASY IBC 64000 TTC



- Induction hob
- Touch control
- Silence mode
- 4 cooking zones:
 - 1 induction Ø 145 mm
 - 1 induction Ø 180 mm
 - 1 induction Ø 145 mm
 - 1 induction Ø 180 mm
- Power management function
- Residual heat indicators
- Maximum nominal power : 7.200 W



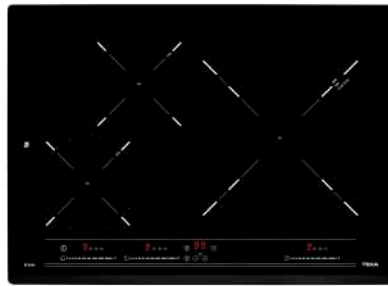
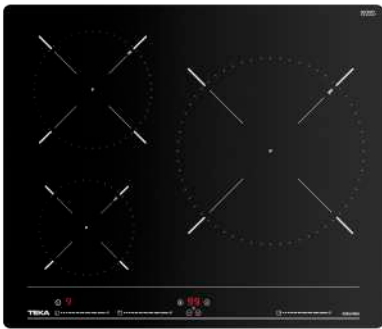
COLOR

Black Glass

FRAME C-edged glass

EXTERNAL DIMENSIONS

Height 50mm **Width** 600mm **Depth** 510mm

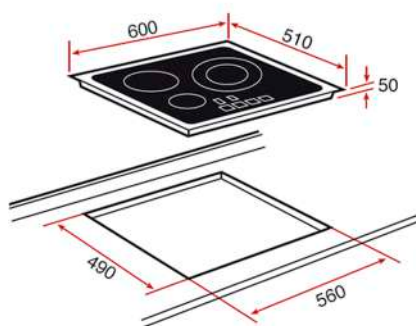


NEW

EASY IBC 63010 MSS



- Induction hob
- Touch control MultiSlider
- Cooking timer
- 3 cooking zones:
 - -1 induction Ø 145 mm
 - -1 induction Ø 180 mm
 - -1 induction Ø 280 mm
- Power function
- Stop & Go
- Residual heat indicators
- Fast-Click easy installation
- Maximum nominal power : 5.900 W



COLOR

Black Glass

FRAME C-edged Glass

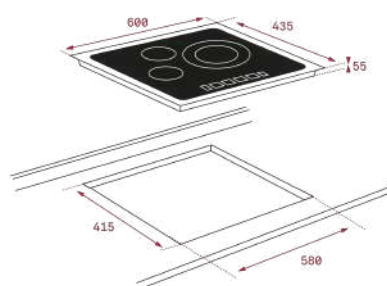
EXTERNAL DIMENSIONS

Height 50mm **Width** 600mm **Depth** 510mm

TOTAL IZ 5320



- Induction hob
- Touch Control Multislider
- Cooking timer
- 3 cooking zones:
 - - 1 induction Ø145 mm
 - - 1 induction Ø145 mm
 - - 1 induction Ø180 / 280 mm
- Special cooking functions: simmering, melting and KeepWarm
- Power Plus function
- Stop & Go function
- Silence mode
- Residual heat indicator
- Maximum rated power: 7.300 W



COLOR

Black Glass

FRAME Front bevelled glass

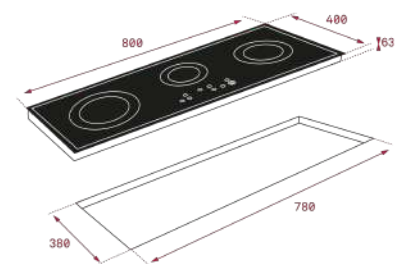
EXTERNAL DIMENSIONS

Height 55mm **Width** 600mm **Depth** 435mm

NEW

MAESTRO TRC 83631

- Vitroceramic hob
- Touch control
- Cooking timer
- 3 cooking zones:
 - -1 high light Ø 145 mm
 - -1 high light Ø 180 mm
 - -1 high light Ø 145 / 210 / 270 mm
- Burst of cooking function
- Child lock
- Stop & Go function
- Maximum nominal power: 5.700 W



COLOR

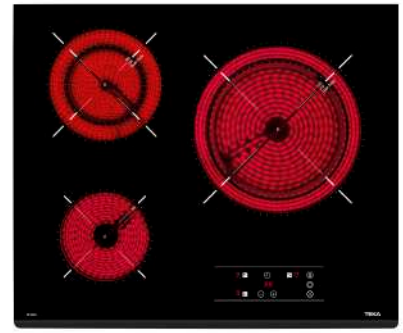
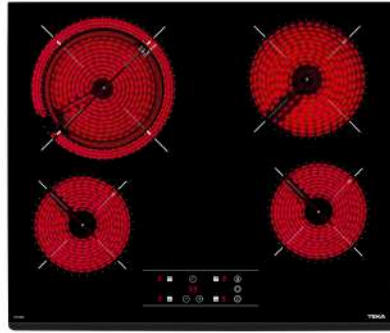
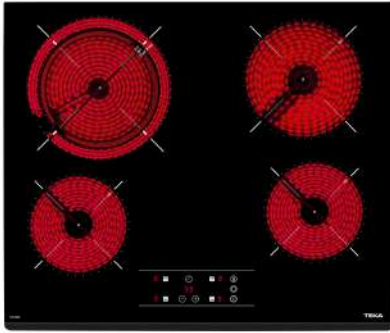
Black Glass

FRAME Front bevelled glass

EXTERNAL DIMENSIONS

Height 63mm **Width** 800mm **Depth** 400mm

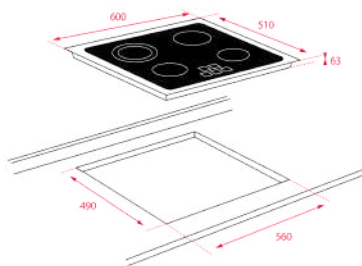
HOBS



TOTAL TT 6420



- Vitroceramic hob
- Touch control
- Cooking timer
- 4 cooking zones:
- -1 high light Ø 145 mm
- -1 high light Ø 180/210 mm
- -1 high light Ø 180 mm
- Burst of cooking function
- Child lock
- Stop & Go function
- Residual heat indicator
- Maximum nominal power: 6.200 W



COLOR

 Black Glass

FRAME Slim metal frame

EXTERNAL DIMENSIONS

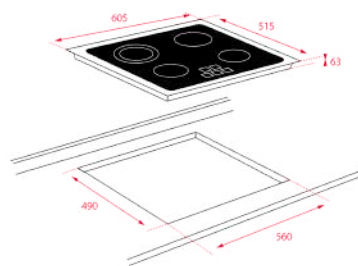
Height 63mm Width 605mm Depth 515mm

NEW

TOTAL TZ 6420



- Vitroceramic hob
- Touch control
- Cooking timer
- 4 cooking zones :
- -1 high light Ø 180/210 mm
- -1 high light Ø 180 mm
- -2 high light Ø 145 mm
- Burst of cooking function
- Child lock
- Residual heat indicator
- Maximum nominal power: 6.200 W



COLOR

 Black Glass

FRAME Front bevelled glass

EXTERNAL DIMENSIONS

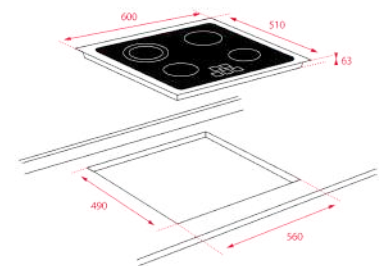
Height 63mm Width 600mm Depth 510mm

NEW

TOTAL TT 6320



- Vitroceramic hob
- Touch control
- Cooking timer
- 3 cooking zones :
- -1 high light Ø 210/270 mm
- -1 high light Ø 120/180 mm
- -1 high light Ø 145 mm
- Burst of cooking function
- Child lock
- Residual heat indicator
- Maximum nominal power: 5.600 W



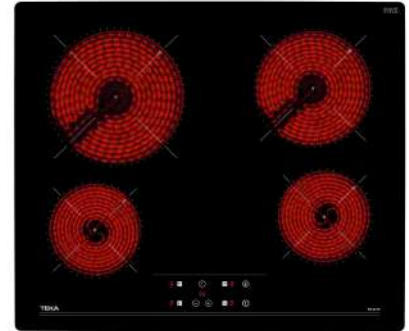
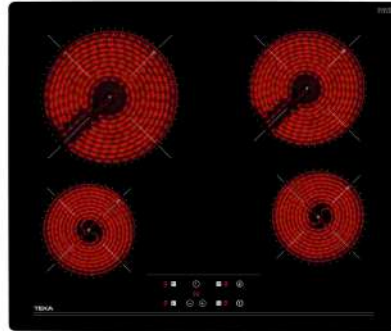
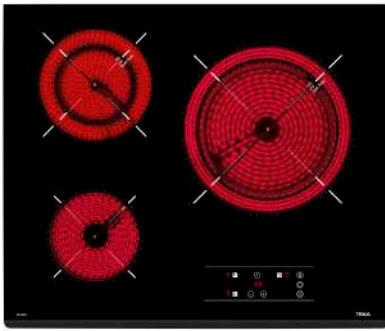
COLOR

 Black Glass

FRAME Slim metal frame

EXTERNAL DIMENSIONS

Height 63mm Width 605mm Depth 515mm

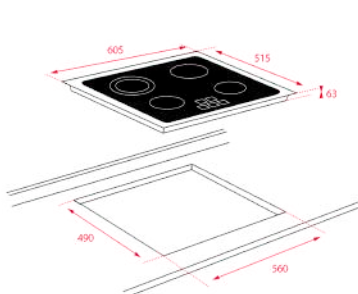


NEW

TOTAL TZ 6320



- Vitroceramic hob
- Touch control
- Cooking timer
- 3 cooking zones :
- -1 high light Ø 210/270 mm
- -1 high light Ø 120/180 mm
- -1 high light Ø 145 mm
- Burst of cooking function
- Child lock
- Residual heat indicator
- Maximum nominal power: 5.600 W



COLOR

Black Glass

FRAME Front bevelled glass

EXTERNAL DIMENSIONS

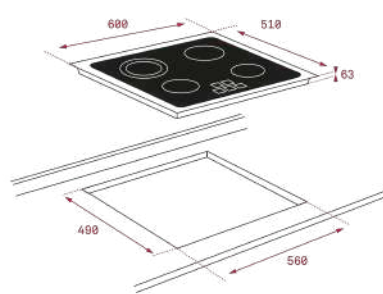
Height 63mm **Width** 600mm **Depth** 510mm

NEW

EASY TZ 6415



- Vitroceramic hob
- Touch control
- Cooking timer
- 4 cooking zones :
- -1 high light Ø 210 mm
- -1 high light Ø 180 mm
- -2 high light Ø 145 mm
- Burst of cooking function
- Child lock
- Residual heat indicator
- Maximum nominal power: 6.300 W



COLOR

Black Glass

FRAME Front bevelled glass

EXTERNAL DIMENSIONS

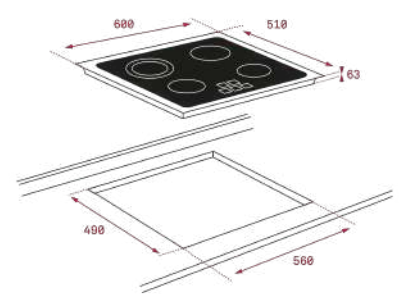
Height 63mm **Width** 600mm **Depth** 510mm

NEW

EASY TB 6415



- Vitroceramic hob
- Touch control
- Cooking timer
- 4 cooking zones:
- -1 high light Ø 145 mm
- -1 high light Ø 210 mm
- -1 high light Ø 145 mm
- -1 high light Ø 180 mm
- Fast Click installation
- Maximum nominal power: 6.300W



COLOR

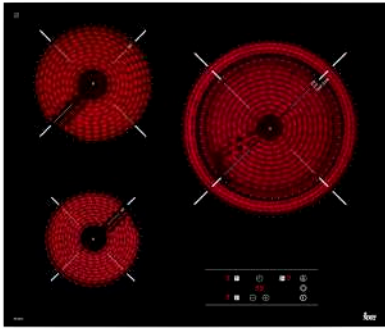
Black Glass

FRAME C-edged glass

EXTERNAL DIMENSIONS

Height 63mm **Width** 600mm **Depth** 510mm

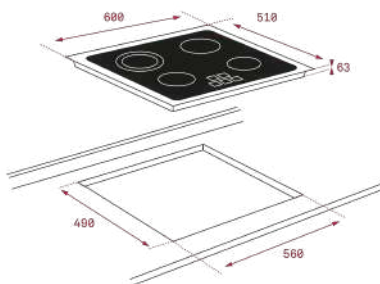
HOBS



EASY TT 6315



- Vitroceramic hob
- Touch control
- Cooking timer
- 3 cooking zones :
- -1 high light Ø 210/270 mm
- -1 high light Ø 180 mm
- -1 high light Ø 145 mm
- Burst of cooking function
- Child lock
- Residual heat indicator
- Maximum nominal power: 5.400 W



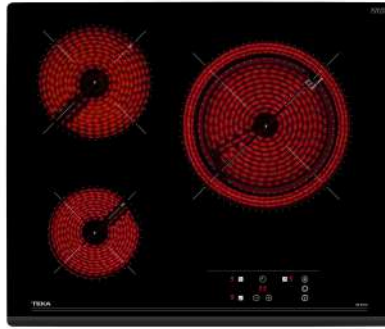
COLOR

Black Glass

FRAME Stainless steel frame

EXTERNAL DIMENSIONS

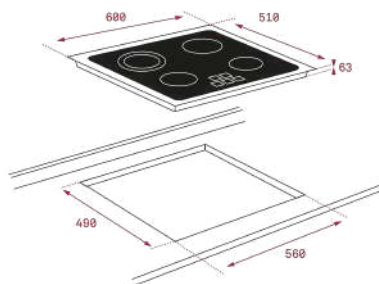
Height 63mm Width 600mm Depth 510mm



EASY TZ 6315



- Vitroceramic hob
- Touch control
- Cooking timer
- 3 cooking zones :
- -1 high light Ø 210/270 mm
- -1 high light Ø 180 mm
- -1 high light Ø 145 mm
- Child lock
- Burst of cooking function
- Residual heat indicator
- Maximum nominal power: 5.400 W



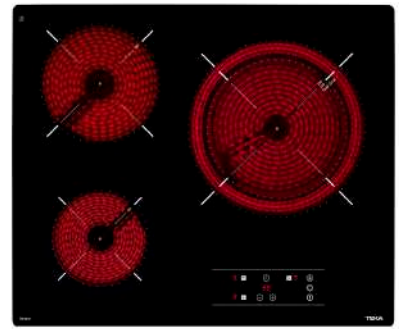
COLOR

Black Glass

FRAME Front bevelled glass

EXTERNAL DIMENSIONS

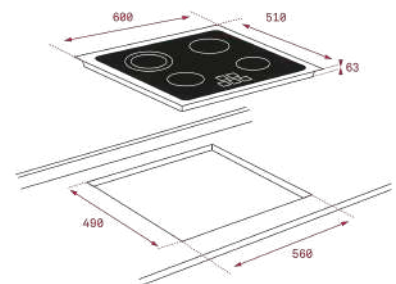
Height 63mm Width 600mm Depth 510mm



EASY TB 6315



- Vitroceramic hob
- Touch control
- Cooking timer
- 3 cooking zones :
- -1 high light Ø 210/270 mm
- -1 high light Ø 180 mm
- -1 high light Ø 145 mm
- Burst of cooking function
- Child lock
- Residual heat indicator
- Maximum nominal power: 5.400 W



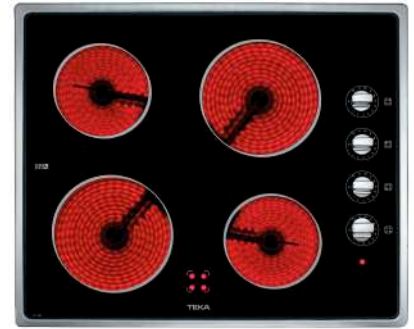
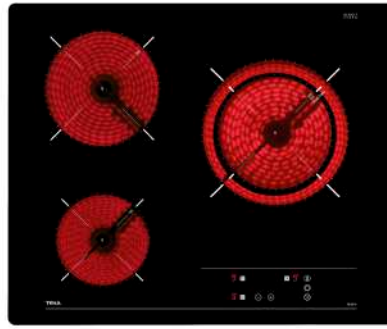
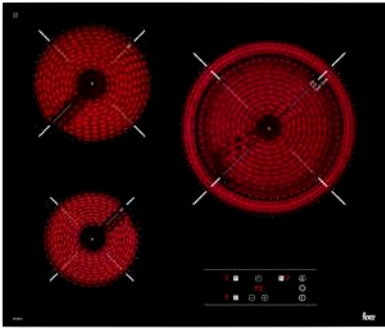
COLOR

Black Glass

FRAME C-edged glass

EXTERNAL DIMENSIONS

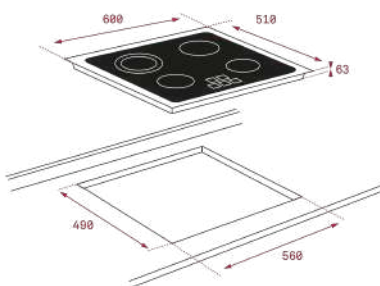
Height 63mm Width 600mm Depth 510mm



EASY TR 6315



- Vitroceramic hob
- Touch control
- Cooking timer
- 3 cooking zones :
- -1 high light Ø 210/270 mm
- -1 high light Ø 180 mm
- -1 high light Ø 145 mm
- Burst of cooking function
- Child lock
- Residual heat indicator
- Maximum nominal power: 5.400 W



COLOR

Black Glass

FRAME Frameless

EXTERNAL DIMENSIONS

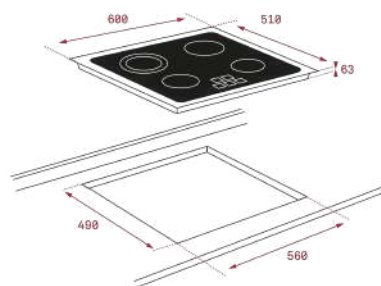
Height 63mm **Width** 600mm **Depth** 510mm

NEW

EASY TB 6310



- Vitroceramic hob
- Touch control
- 3 cooking zones :
- -1 high light Ø 180/230 mm
- -1 high light Ø 180 mm
- -1 high light Ø 145 mm
- Child lock
- Residual heat indicator
- Maximum nominal power: 5.100 W



COLOR

Black Glass

FRAME C-edged glass

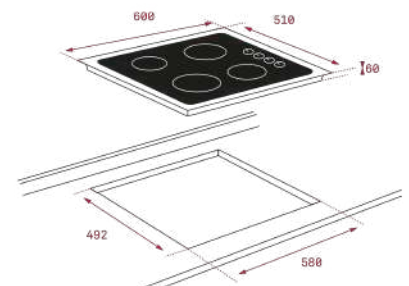
EXTERNAL DIMENSIONS

Height 63mm **Width** 600mm **Depth** 510mm

NEW

EASY VT CM

- Vitroceramic hob
- Mechanical control panel
- 4 cooking zones :
- -2 high light 180 mm Ø
- -2 high light 145 mm Ø
- Residual heat indicator
- Maximum nominal power: : 6000 W



COLOR

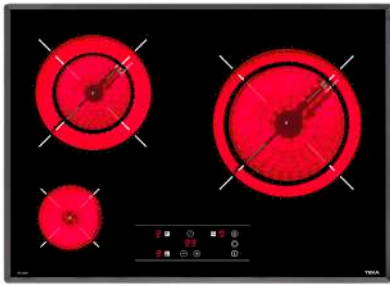
Black Glass

FRAME Stainless steel frame

EXTERNAL DIMENSIONS

Height 60mm **Width** 600mm **Depth** 510mm

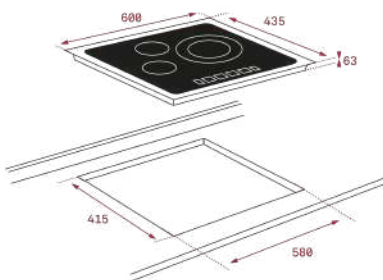
HOBS



NEW

TOTAL TR 5300

- Vitroceraamic hob
- Touch control
- Cooking timer
- 3 cooking zones :
- 1 high light \varnothing 180/230 mm
- 1 high light \varnothing 120/180 mm
- 1 high light \varnothing 100 mm
- Burst of cooking function
- Child lock
- Residual heat indicator
- Maximum nominal power: 4.750 W



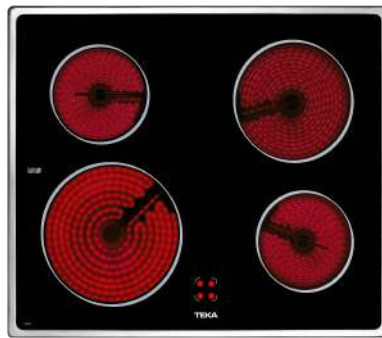
COLOR

Black Glass

FRAME Full bevelled glass

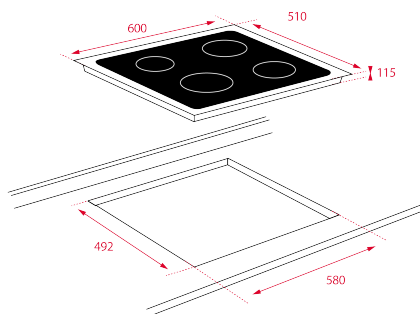
EXTERNAL DIMENSIONS

Height 63mm Width 600mm Depth 435mm



EASY VTC B

- Polivalent 60 cm vitroceraamic hob
- Polivalent (control panel in the oven)
- Stainless steel frame
- Residual heat indicator
- 4 cooking zones :
- 1 high light (210 mm \varnothing)
- 1 high light (180 mm \varnothing)
- 2 high light (145 mm \varnothing)
- Max. nominal power : 6300 W



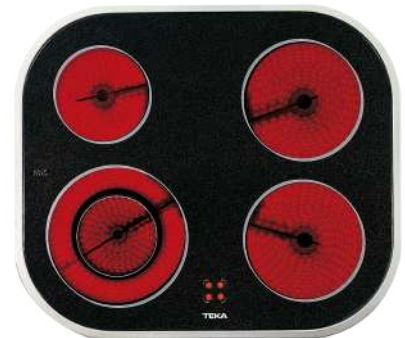
COLOR

Black Glass

FRAME Stainless steel frame

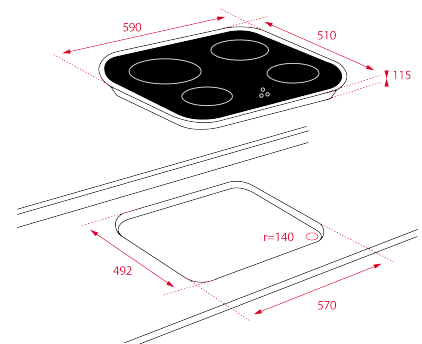
EXTERNAL DIMENSIONS

Height 115mm Width 600mm Depth 510mm



EASY VT N DC

- Polivalent 60 cm vitroceraamic hob
- Polivalent (control panel in the oven)
- Stainless steel frame
- Residual heat indicator
- 4 cooking zones :
- 1 high light (210 mm \varnothing)
- 1 high light (180 mm \varnothing)
- 2 high light (145 mm \varnothing)
- Max. nominal power : 6300 W



COLOR

Black Glass

FRAME Stainless steel frame

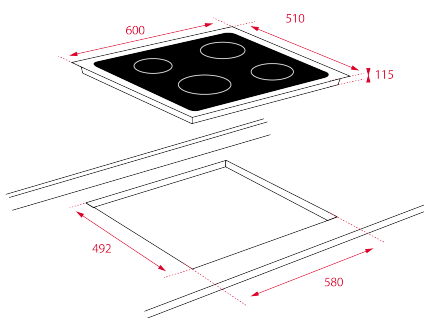
EXTERNAL DIMENSIONS

Height 63mm Width 590mm Depth 510mm



EASY CGC 4G AI AL

- Gas typology : LPG (butane/propane)
- Frameless tempered glass
- Metallic frontal knobs
- Auto-ignition
- Gas burners: Auxiliary burner, 1,00 Kw, 2 Semi-fast burners, 1,75 Kw., 1 Fast burner , 3,0 Kw
- Cast iron grids



COLOR
 Black Glass
FRAME C-edged glass

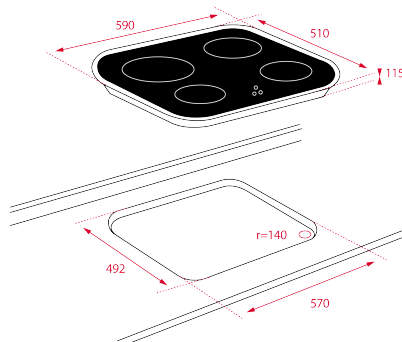
EXTERNAL DIMENSIONS
 Height 115mm Width 600mm Depth 510mm



EASY CG.1 4G AI AL

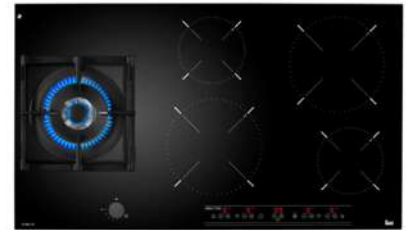


- Gas typology : LPG (butane/propane)
- Stainless Steel tempered frame
- Auto-ignition
- Gas burners: Auxiliary burner, 1,00 Kw, 2 Semi-fast burners, 1,75 Kw., Fast burner , 3,0 Kw
- Cast iron grids



COLOR
 Black Glass
FRAME Stainless steel frame

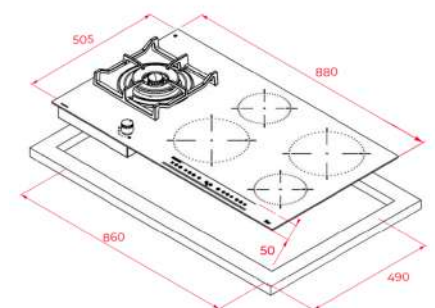
EXTERNAL DIMENSIONS
 Height 115mm Width 590mm Depth 510mm



MAESTRO IG 940 1G AI AL DR CI

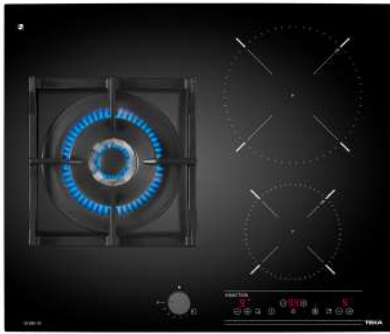


- Gas on glass + induction hob
- Touch control
- Cooking time programmer
- 5 cooking zones:
- -2 induction Ø 210 mm. (1.500 W)
- -2 induction Ø 145 mm. (1.200 W)
- -1 gas Double ring burner (5.00 kW)
- Power function
- Power management function
- Cast iron grids
- Auto-ignition
- Auto-lock safety device
- Child lock
- Residual heat indicator
- Metallic look knobs
- Total nominal power (gas): 5.00 kW
- Total nominal power (induction): 7.200 W



COLOR
 Black Glass
FRAME C-edged glass

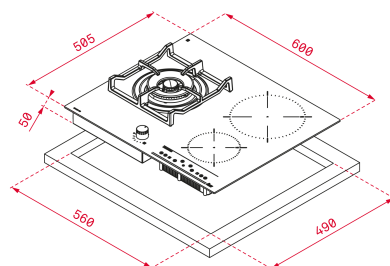
EXTERNAL DIMENSIONS
 Height 50mm Width 880mm Depth 505mm



MAESTRO IG 620 1G AI AL DR CI



- Gas on glass + induction hob
- Touch control and frontal knobs
- Cooking timer
- 3 cooking zones:
- -1 induction Ø 210 mm. (1.500 W)
- -1 induction Ø 145 mm. (1.200 W)
- -1 gas Double ring burner (5.00 kW)
- Power function
- Power management function
- Cast iron grids
- Auto-ignition
- Auto-lock safety device
- Child block
- Residual heat indicator
- Maximum nominal power (gas): 5.00 kW
- Maximum nominal power (induction): 3.600 W



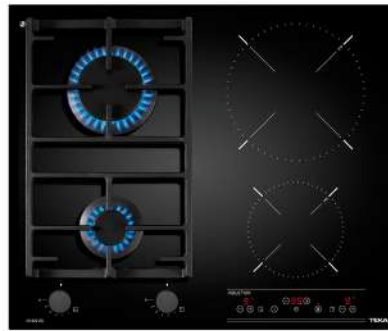
COLOR

Black Glass

FRAME C-edged glass

EXTERNAL DIMENSIONS

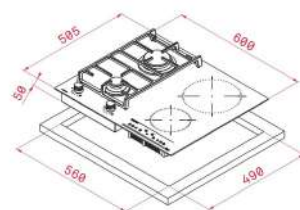
Height 50mm Width 600mm Depth 505mm



MAESTRO IG 620 2G AI AL CI



- Gas on glass + induction hob
- Touch control
- Cooking time programmer
- 4 cooking zones:
- -1 induction Ø 210 mm. (1.500 W)
- -1 induction Ø 145 mm. (1.200 W)
- -1 gas Fast burner (2.80 kW)
- -1 auxiliary burner (1 kW)
- Power function
- Power management function
- Cast iron grids
- Auto-ignition
- Auto-lock safety device
- Child lock
- Residual heat indicator
- Metallic look knobs
- Total nominal power (gas): 3.80 kW
- Total nominal power (induction): 3.600 W



COLOR

Black Glass

FRAME C-edged glass

EXTERNAL DIMENSIONS

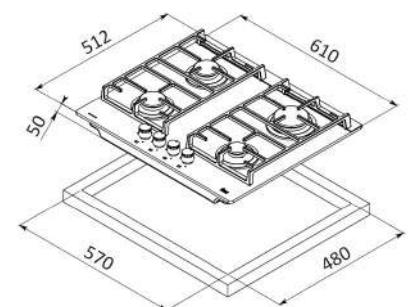
Height 50mm Width 600mm Depth 505mm



MAESTRO CGW LUX 60 TC 4G AI AL CI



- Gas on glass hob
- Full Touch control
- Cooking timer
- 4 cooking zones :
- -1 fast burner (2.8 kW)
- -1 semi-fast burner (1.75 kW)
- -1 semi-fast burner (1.4 kW)
- -1 auxiliary burner (1 kW)
- Cast iron grids
- Auto-ignition
- Auto-lock safety device
- Residual heat indicators



COLOR

Black Glass

FRAME Frameless Glass

EXTERNAL DIMENSIONS

Height 50mm Width 610mm Depth 512mm

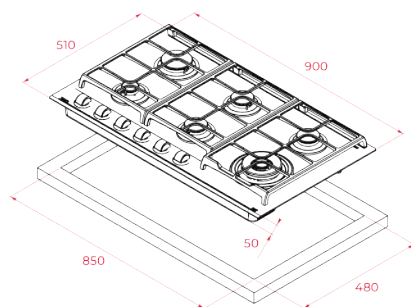


NEW

TOTAL GZC 96310



- Gas on Glass with ExactFlame
- 9 power levels with precise control of the flame
- Front control knobs with ergonomic design
- 5 cooking zones:
- -1 double ring burner (5.00 kW)
- -1 fast burner (2.80kW)
- -2 semi-fast burners (1.75 kW)
- -1 auxiliary burner (1.00 kW)
- Large cast iron grids
- Automatic-ignition in every burner, activated through control knobs
- Auto-lock safety device (Thermocouples)
- Optional Wok support
- Easy installation kit
- Ceramic glass surface



COLOR

Black Glass

FRAME Front bevelled glass

EXTERNAL DIMENSIONS

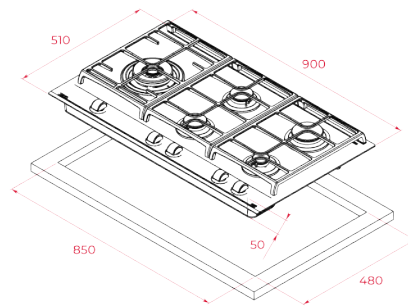
Height 50mm Width 900mm Depth 510mm

NEW

TOTAL GZC 95320



- Gas on Glass with ExactFlame
- 9 power levels with precise control of the flame
- Front control knobs with ergonomic design
- 5 cooking zones:
- -1 double ring burner (5.00 kW)
- -1 fast burner (2.80kW)
- -2 semi-fast burners (1.75 kW)
- -1 auxiliary burner (1.00 kW)
- Large cast iron grids
- Automatic-ignition in every burner, activated through control knobs
- Auto-lock safety device (Thermocouples)
- Optional Wok support
- Easy installation kit
- Ceramic glass surface



COLOR

Black Glass

FRAME Front bevelled glass

EXTERNAL DIMENSIONS

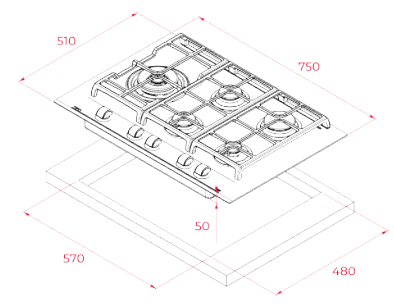
Height 50mm Width 900mm Depth 510mm

NEW

TOTAL GZC 85320



- Gas on Glass with ExactFlame
- Front control knobs with ergonomic design
- 9 power levels with precise control of the flame
- 5 cooking zones:
- -1 double ring burner 5(,00 kW)
- -1 fast burner (2.80kW)
- -2 semi-fast burners (1.75 kW)
- -1 auxiliary burner (1.00 kW)
- Large cast iron grids
- Automatic-ignition in every burner, activated through control knobs
- Auto-lock safety device (Thermocouples)
- Optional Wok support
- Easy installation kit
- Ceramic glass surface



COLOR

Black Glass

FRAME Front bevelled glass

EXTERNAL DIMENSIONS

Height 50mm Width 750mm Depth 510mm

HOBS

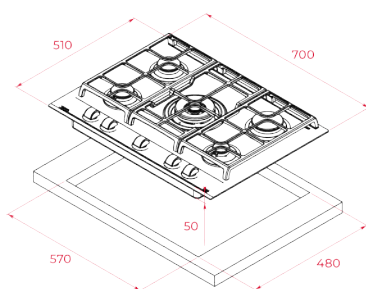


NEW

TOTAL GZC 75330



- Urban Colors Edition
- Gas on Glass with ExactFlame a
- 9 power levels with precise control of the flame
- Front control knobs with ergonomic design
- 5 cooking zones:
 - -1 double ring burner (4.00 kW)
 - -2 semi-fast burners (1.75 kW)
 - -1 fast burner (2.80 kW)
 - -1 auxiliary burner (1.00 kW)
- Large cast iron grids
- Automatic-ignition
- Auto-lock safety device
- Optional Wok support
- Easy installation kit
- Ceramic glass surface



COLOR

Black Glass

FRAME Front bevelled glass

EXTERNAL DIMENSIONS

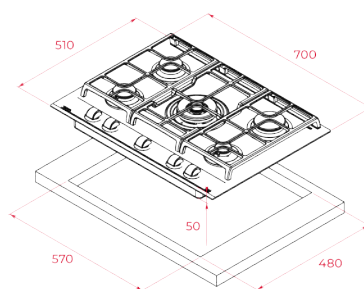
Height 50mm Width 700mm Depth 510mm

NEW

TOTAL GZC 75330



- Urban Colors Edition
- Gas on Glass with ExactFlame
- 9 power levels with precise control of the flame
- Front control knobs with ergonomic design
- 5 cooking zones:
 - -1 double ring burner (4.00 kW)
 - -2 semi-fast burners (1.75 kW)
 - -1 fast burner (2.80 kW)
 - -1 auxiliary burner (1.00 kW)
- Large cast iron grids
- Automatic-ignition in every burner, activated through control knobs
- Auto-lock safety device (Thermocouples)
- Optional Wok support
- Easy installation kit
- Ceramic glass surface



COLOR

London brick brown glass

FRAME Front bevelled glass

EXTERNAL DIMENSIONS

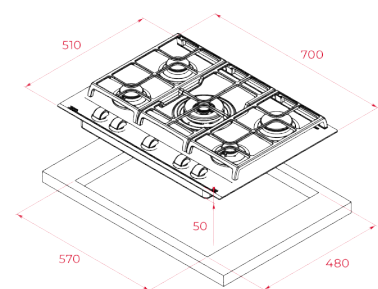
Height 50mm Width 700mm Depth 510mm

NEW

TOTAL GZC 75330



- Urban Colors Edition
- Gas on Glass with ExactFlame and bevelled front
- 9 power levels with precise control of the flame
- Front control knobs with ergonomic design
- 5 cooking zones:
 - -1 double ring burner (4.00 kW)
 - -2 semi-fast burners (1.75 kW)
 - -1 fast burner (2.80 kW)
 - -1 auxiliary burner (1.00 kW)
- Large cast iron grids
- Automatic-ignition in every burner, activated through control knobs
- Auto-lock safety device (Thermocouples)
- Optional Wok support
- Easy installation kit
- Ceramic glass surface



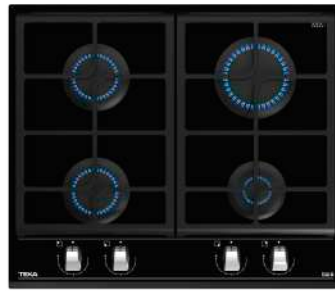
COLOR

Stone grey glass

FRAME Front bevelled glass

EXTERNAL DIMENSIONS

Height 50mm Width 700mm Depth 510mm

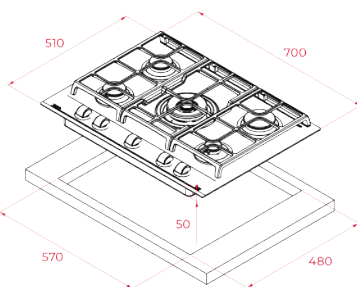


NEW

TOTAL GZC 75330



- Urban Colors Edition
- Gas on Glass with ExactFlame
- 9 power levels with precise control of the flame
- Front control knobs with ergonomic design
- 5 cooking zones:
- -1 double ring burner (4.00 kW)
- -2 semi-fast burners (1.75 kW)
- -1 fast burner (2.80 kW)
- -1 auxiliary burner (1.00 kW)
- Large cast iron grids
- Automatic-ignition in every burner, activated through control knobs
- Auto-lock safety device (Thermocouples)
- Optional Wok support
- Easy installation kit
- Ceramic glass surface



COLOR



White Glass

FRAME Front bevelled glass

EXTERNAL DIMENSIONS

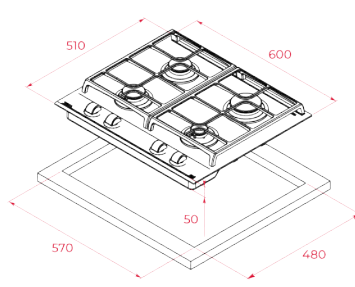
Height 50mm Width 700mm Depth 510mm

NEW

TOTAL GZC 64300



- Urban Colors Edition
- Gas on Glass with ExactFlame
- 9 power levels with precise control of the flame
- Front control knobs with ergonomic design
- 4 cooking zones:
- -1 double ring burner (4.00 kW)
- -1 semi-fast burners (1.75 kW)
- -1 fast burner (2.80 kW)
- -1 auxiliary burner (1.00 kW)
- Large cast iron grids
- Automatic-ignition in every burner, activated through control knobs
- Auto-lock safety device (Thermocouples)Optional Wok support
- Easy installation kit
- Ceramic glass surface



COLOR



Black Glass

FRAME Front bevelled glass

EXTERNAL DIMENSIONS

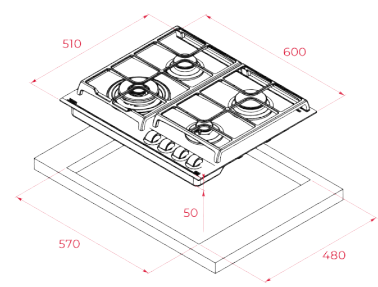
Height 50mm Width 600mm Depth 510mm

NEW

TOTAL GZC 64320



- Urban Colors Edition
- Gas on Glass with ExactFlame
- 9 power levels with precise control of the flame
- Front control knobs with ergonomic design
- 4 cooking zones:
- -1 double ring burner (4.00 kW)
- -1 semi-fast burners (1.75 kW)
- -1 fast burner (2.80 kW)
- -1 auxiliary burner (1.00 kW)
- Large cast iron grids
- Automatic-ignition in every burner, activated through control knobs
- Auto-lock safety device (Thermocouples)
- Optional Wok support
- Easy installation kit
- Ceramic glass surface



COLOR



Black Glass

FRAME Front bevelled glass

EXTERNAL DIMENSIONS

Height 50mm Width 600mm Depth 510mm

HOBS



NEW

TOTAL GZC 64320



- Urban Colors Edition
- Gas on Glass with ExactFlame
- 9 power levels with precise control of the flame
- Front control knobs with ergonomic design
- 4 cooking zones:
 - -1 double ring burner (4.00 kW)
 - -1 semi-fast burners (1.75 kW)
 - -1 fast burner (2.80 kW)
 - -1 auxiliary burner (1.00 kW)
- Large cast iron grids
- Automatic-ignition in every burner, activated through control knobs
- Auto-lock safety device (Thermocouples)
- Optional Wok support
- Easy installation kit
- Tempered glass surface

NEW

TOTAL GZC 64320



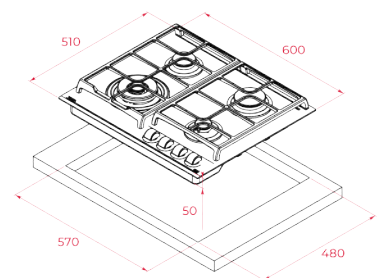
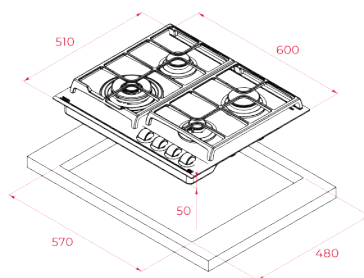
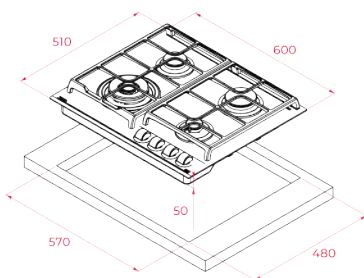
- Urban Colors Edition
- Gas on Glass with ExactFlame and bevelled front
- 9 power levels with precise control of the flame
- Front control knobs with ergonomic design
- 4 cooking zones:
 - -1 double ring burner (4.00 kW)
 - -1 semi-fast burners (1.75 kW)
 - -1 fast burner (2.80 kW)
 - -1 auxiliary burner (1.00 kW)
- Large cast iron grids
- Automatic-ignition in every burner, activated through control knobs
- Auto-lock safety device (Thermocouples)
- Optional Wok support
- Easy installation kit
- Tempered glass surface

NEW

TOTAL GZC 64320



- Urban Colors Edition
- Gas on Glass with ExactFlame
- 9 power levels with precise control of the flame
- Front control knobs with ergonomic design
- 4 cooking zones:
 - -1 double ring burner (4.00 kW)
 - -1 semi-fast burners (1.75 kW)
 - -1 fast burner (2.80 kW)
 - -1 auxiliary burner (1.00 kW)
- Large cast iron grids
- Auto-ignition in every burner, activated through control knobs
- Auto-lock safety device (Thermocouples)
- Optional Wok support
- Easy installation kit
- Tempered glass surface



COLOR

 London brick brown glass

FRAME Front bevelled glass

EXTERNAL DIMENSIONS

Height 50mm Width 600mm Depth 510mm

COLOR


 Stone grey glass

FRAME Front bevelled glass

EXTERNAL DIMENSIONS

Height 50mm Width 600mm Depth 510mm

COLOR

 Steam grey glass

FRAME Front bevelled glass

EXTERNAL DIMENSIONS

Height 50mm Width 600mm Depth 510mm



NEW

TOTAL GZC 64321



- Urban Colors Edition
- Gas on Glass with ExactFlame
- 9 power levels with precise control of the flame
- Front control knobs with ergonomic design
- 4 cooking zones:
- -1 double ring burner (4.00 kW)
- -1 semi-fast burners (1.75 kW)
- -1 fast burner (2.80 kW)
- -1 auxiliary burner (1.00 kW)
- Large cast iron grids
- Auto-ignition in every burner, activated through control knobs
- Auto-lock safety device (Thermocouples)
- Optional Wok support
- Easy installation kit
- Tempered glass surface

NEW

TOTAL GZC 63310



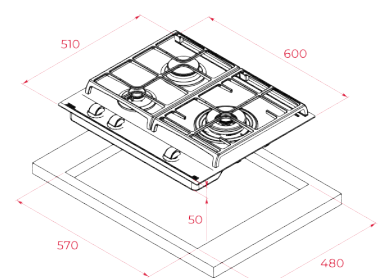
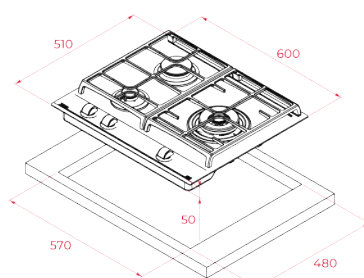
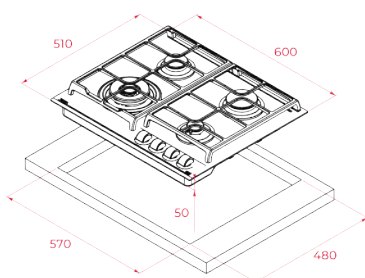
- Urban Colors Edition
- Gas on Glass with ExactFlame
- 9 power levels with precise control of the flame
- Front control knobs with ergonomic design
- 3 cooking zones:
- -1 double ring burner (4.00 kW)
- -1 fast burner (2.80 kW)
- -1 auxiliary burner (1.00 kW)
- Large cast iron grids
- Automatic-ignition in every burner, activated through control knobs
- Auto-lock safety device (Thermocouples)
- Optional Wok support
- Easy installation kit
- Ceramic glass surface

NEW

TOTAL GZC 63310



- Urban Colors Edition
- Gas on Glass with ExactFlame
- 9 power levels with precise control of the flame
- Front control knobs with ergonomic design
- 3 cooking zones:
- -1 double ring burner (4.00 kW)
- -1 fast burner (2.80 kW)
- -1 auxiliary burner (1.00 kW)
- Large cast iron grids
- Automatic-ignition in every burner, activated through control knobs
- Auto-lock safety device (Thermocouples)
- Optional Wok support
- Easy installation kit
- Ceramic glass surface



COLOR

White Glass

FRAME Front bevelled glass

EXTERNAL DIMENSIONS

Height 50mm Width 600mm Depth 510mm

COLOR

London brick brown glass

FRAME Front bevelled glass

EXTERNAL DIMENSIONS

Height 50mm Width 600mm Depth 510mm

COLOR

Stone grey glass

FRAME Front bevelled glass

EXTERNAL DIMENSIONS

Height 50mm Width 600mm Depth 510mm

HOBS

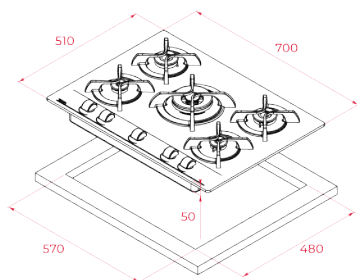


NEW

EASY GBC 75030



- Gas on Glass Hob
- Front control knobs with ergonomic design
- 3 cooking zones:
 - -1 double ring burner (3.50 kW)
 - -1 semi-fast burner (1.75 kW)
 - -1 auxiliary burner (1.00 kW)
- Large cast iron supports
- Automatic-ignition in every burner, activated through control knobs
- Auto-lock safety device (Thermocouples)
- Easy installation kit
- Tempered Glass



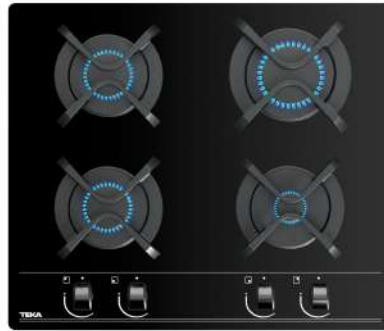
COLOR

Black Glass

FRAME C-edged glass

EXTERNAL DIMENSIONS

Height 50mm **Width** 700mm **Depth** 510mm

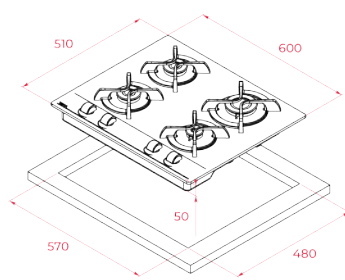


NEW

EASY GBC 64000



- Gas on Glass Hob
- Front control knobs with ergonomic design
- 4 cooking zones:
 - -1 semi-fast burner (1.75 kW)
 - -1 semi-fast burner (1.40 kW)
 - -1 fast burner (2.80 kW)
 - -1 auxiliary burner (1.00 kW)
- Large cast iron grids
- Automatic-ignition in every burner, activated through control knobs
- Auto-lock safety device (Thermocouples)
- Easy installation kit
- Tempered Glass



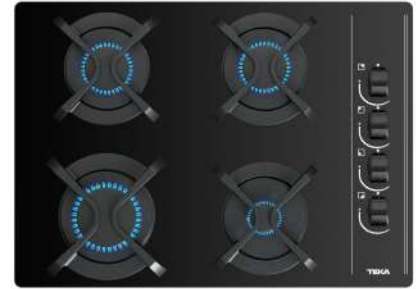
COLOR

Black Glass

FRAME C-edged glass

EXTERNAL DIMENSIONS

Height 50mm **Width** 600mm **Depth** 510mm

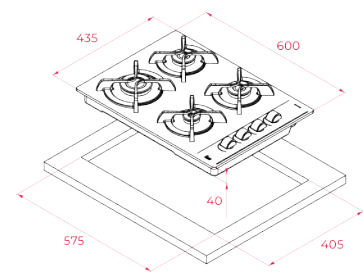


NEW

EASY GBC 64003



- Gas on Glass Hob
- Lateral control knobs with ergonomic design
- 4 gas burners
 - -2 semi-fast burners (1.75 kW)
 - -1 fast burner (2.80 kW)
 - -1 auxiliary burner (1.00 kW)
- Large cast iron supports
- Automatic-ignition in every burner, activated through control knobs
- Auto-lock safety device (Thermocouples)
- Easy installation kit
- Tempered Glass



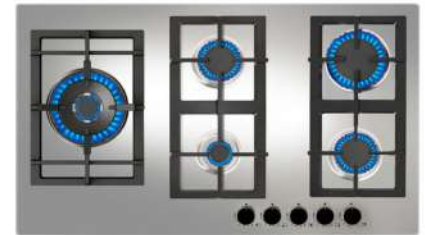
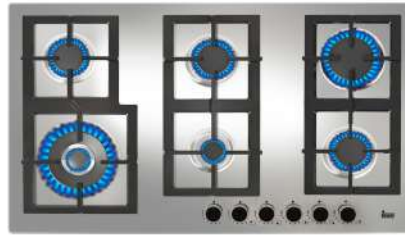
COLOR

Black Glass

FRAME C-edged glass

EXTERNAL DIMENSIONS

Height 40mm **Width** 600mm **Depth** 435mm

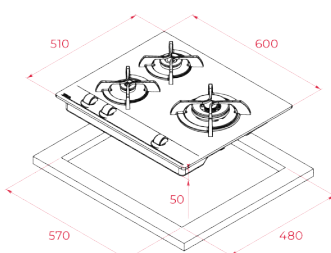


NEW

EASY GBC 63010



- Gas on Glass Hob
- Front control knobs with ergonomic design
- 3 cooking zones:
- -1 double ring burner (3.50 kW)
- -1 semi-fast burner (1.75 kW)
- -1 auxiliary burner (1.00 kW)
- Large cast iron supports
- Automatic-ignition in every burner, activated through control knobs
- Auto-lock safety device (Thermocouples)
- Easy installation kit
- Tempered Glass



COLOR

Black Glass

FRAME C-edged glass

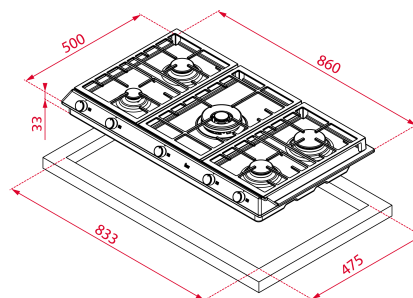
EXTERNAL DIMENSIONS

Height 50mm Width 600mm Depth 510mm

TOTAL EFX 90.1 6G AI AL DR CI



- Gas Hob
- Frontal knobs
- High efficiency burners
- 6 cooking zones:
- -1 double ring burner (4 kW)
- -1 fast burner: (3 kW)
- -3 semi-fast burners (1.75 kW)
- -1 auxiliary burner: (1 kW)
- Cast iron grids
- Auto-lock
- Auto-ignition



COLOR

Stainless Steel

FRAME Brushed stainless steel

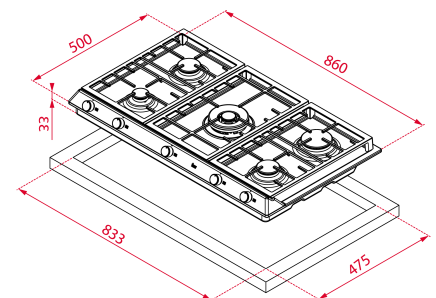
EXTERNAL DIMENSIONS

Height 45mm Width 860mm Depth 510mm

TOTAL EFX 90.1 5G AI AL DR CI



- Gas Hob
- Frontal knobs
- High efficiency burners
- 5 cooking zones:
- -1 double ring burner (4 kW)
- -1 fast burner: (3 kW)
- -2 semi-fast burners (1.75 kW)
- -1 auxiliary burner: (1 kW)
- Cast iron grids
- Auto-lock
- Auto-ignition



COLOR

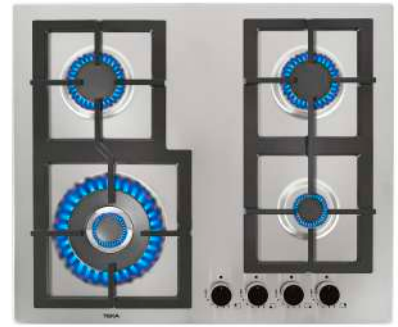
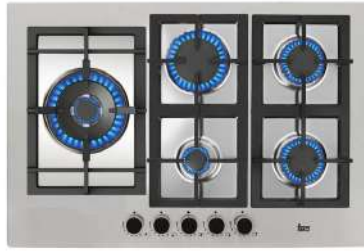
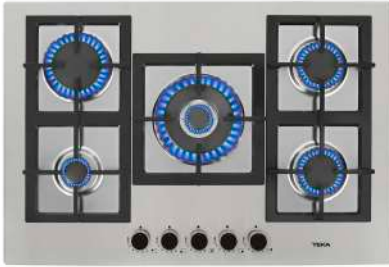
Stainless Steel

FRAME Brushed stainless steel

EXTERNAL DIMENSIONS

Height 45mm Width 860mm Depth 510mm

HOBS



TOTAL EFX 70.1 5G AI AL DR CI



- Gas Hob
- Frontal knobs
- High efficiency burners
- 5 cooking zones:
- -1 double ring burner (4 kW)
- -1 fast burner (3 kW)
- -2 semi-fast burners: (1.75 kW)
- -1 auxiliary burner (1 kW)
- Cast iron grids
- Auto-lock
- Auto-ignition

TOTAL EFX 70.1 5G AI AL DR CI

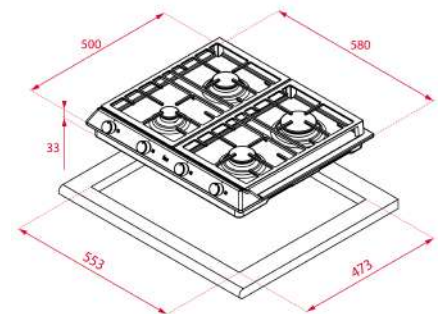
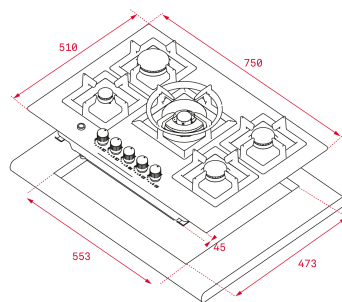
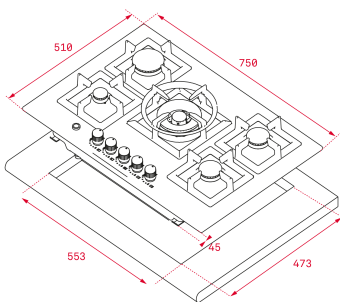


- Gas Hob
- Frontal knobs
- High efficiency burners
- 5 cooking zones:
- -1 double ring burner (4 kW)
- -1 fast burner (3 kW)
- -2 semi-fast burners: (1.75 kW)
- -1 auxiliary burner (1 kW)
- Cast iron grids
- Auto-lock
- Auto-ignition

TOTAL EFX 60.1 4G AI AL DR CI



- Gas Hob
- Frontal knobs
- High efficiency burners
- 4 cooking zones:
- -1 double ring burner (4 kW)
- -2 semi-fast burners (1.75 kW)
- -1 auxiliary burner (1 kW)
- Cast iron grids
- Auto-lock
- Auto-ignition



COLOR

Stainless Steel

FRAME Brushed stainless steel

EXTERNAL DIMENSIONS

Height 45mm Width 750mm Depth 510mm

COLOR

Stainless Steel

FRAME Brushed stainless steel

EXTERNAL DIMENSIONS

Height 45mm Width 750mm Depth 510mm

COLOR

Stainless Steel

FRAME Brushed stainless steel

EXTERNAL DIMENSIONS

Height 45mm Width 600mm Depth 510mm



TOTAL EX 90.1 5G AI AL DR CI



- Gas hob
- Frontal knobs
- High Efficiency burners
- 5 cooking zones:
- -1 double ring burner (4.00 kW)
- -1 fast burner (2.8 kW)
- -2 semi-fast burner (1.75 kW)
- -1 auxiliary burner (1 kW)
- Cast iron grids with a professional look
- Auto-lock safety device
- Auto-ignition
- Type of Gas: natural

TOTAL EX 70.1 5G AI AL DR CI

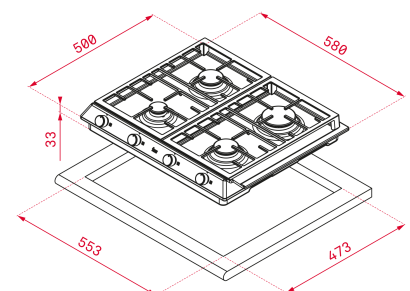
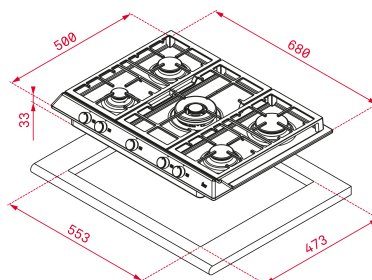
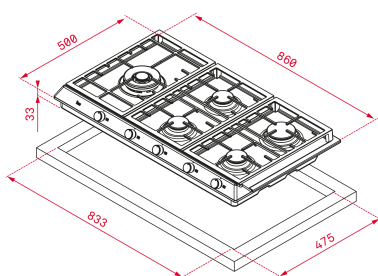


- Gas hob
- Frontal knobs
- High Efficiency burners
- 5 cooking zones:
- -1 double ring burner (4.00 kW)
- -1 fast burner (2.8 kW)
- -2 semi-fast burner (1.75 kW)
- -1 auxiliary burner (1 kW)
- Cast iron grids with a professional look
- Auto-lock safety device
- Auto-ignition
- Type of Gas: LPG (butane/ propane)

TOTAL EX 60.1 4G AI DR CI



- Gas hob
- Frontal knobs
- High Efficiency burners
- 4 cooking zones:
- -1 double ring burner (4.00 kW)
- -1 fast burner (2.8 kW)
- -1 semi-fast burner (1.75 kW)
- -1 auxiliary burner (1kW)
- Cast iron grids with a professional look.
- Auto-lock safety device
- Auto-ignition



COLOR

■ Stainless Steel

FRAME Brushed stainless steel

EXTERNAL DIMENSIONS

Height 33mm Width 860mm Depth 500mm

COLOR

■ Stainless Steel

FRAME Brushed stainless steel

EXTERNAL DIMENSIONS

Height 33mm Width 680mm Depth 500mm

COLOR

■ Stainless Steel

FRAME Brushed stainless steel

EXTERNAL DIMENSIONS

Height 33mm Width 580mm Depth 500mm

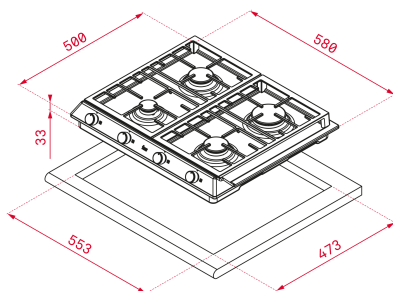
HOBS



TOTAL EX 60.1 4G AI AL DR



- Gas hob
- Frontal knobs
- High Efficiency burners
- 4 cooking zones:
- -1 double ring burner (4.00 kW)
- -1 fast burner (2.8 kW)
- -1 semi-fast burner (1.75 kW)
- -1 auxiliary burner (1 kW)
- Cast iron grids with a professional look
- Auto-lock safety device
- Auto-ignition
- Type of gas: LPG (butane/ propane)



COLOR

Stainless Steel

FRAME Brushed stainless steel

EXTERNAL DIMENSIONS

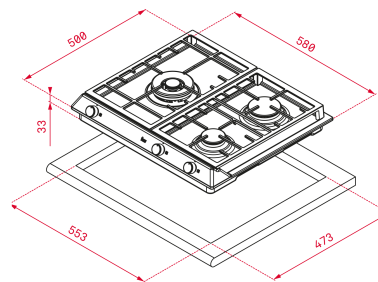
Height 33mm Width 580mm Depth 500mm



TOTAL EX 60.1 3G AI AL DR CI



- Gas hob
- Frontal knobs
- High Efficiency burners.
- 3 cooking zones:
- -1 double ring burner (4.00 kW)
- -1 fast burner (2.8 kW)
- -1 semi-fast burner (1.75 kW)
- Cast iron grids with a professional look
- Auto-lock safety device
- Auto-ignition
- Type of gas : LPG (butane/propane)



COLOR

Stainless Steel

FRAME Brushed stainless steel

EXTERNAL DIMENSIONS

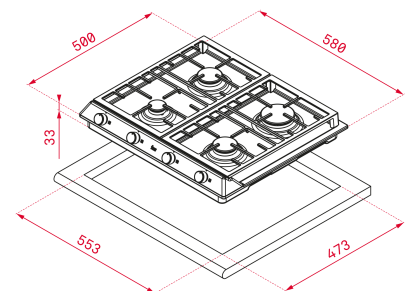
Height 33mm Width 580mm Depth 500mm



TOTAL EX 60.1 4G AI AL CI



- Gas hob
- Frontal knobs
- High Efficiency burners
- 4 cooking zones:
- -1 fast burner (2.8 kW)
- -2 semi-fast burner (1.75 kW)
- -1 auxiliary burner (1 kW)
- Cast iron grids with a professional look
- Auto-lock safety device
- Auto-ignition
- Type of gas : LPG (butane/propane)



COLOR

Stainless Steel

FRAME Brushed stainless steel

EXTERNAL DIMENSIONS

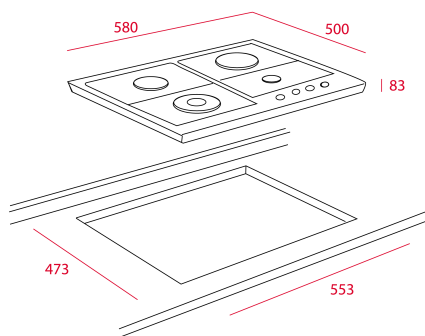
Height 33mm Width 580mm Depth 500mm



TOTAL EH 60 4G AI AL TR CI



- Country Style Edition
- Gas hob
- Frontal knobs
- 4 cooking zones :
- -1 triple ring burner (3.5 kW)
- -1 fast burner (3 kW)
- -1 semi-fast burners (1.75 kW)
- -1 auxiliary burner (1 kW)
- Cast iron grids
- Auto-lock safety device
- Auto-ignition
- Silver knobs accessory available



COLOR
 Vanilla Silver
FRAME Vanilia

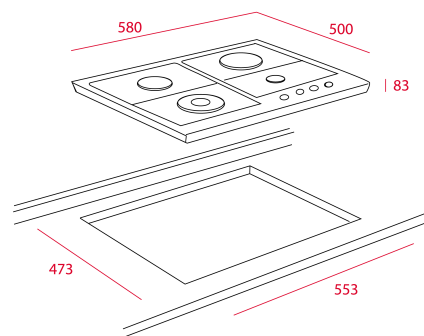
EXTERNAL DIMENSIONS
 Height 83mm Width 580mm Depth 500mm



TOTAL EH 60 4G AI AL TR CI



- Country Style Edition
- Gas hob
- Frontal knobs
- 4 cooking zones :
- -1 triple ring burner (3.5 kW)
- -1 fast burner (3 kW)
- -1 semi-fast burners (1.75 kW)
- -1 auxiliary burner (1 kW)
- Cast iron grids
- Auto-lock safety device
- Auto-ignition



COLOR
 Anthracite Silver
FRAME Anthracite

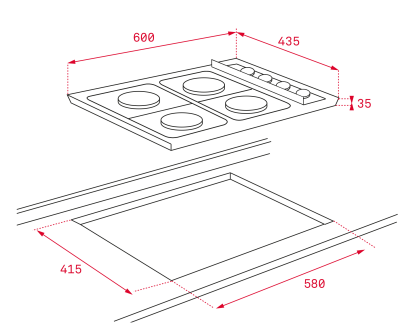
EXTERNAL DIMENSIONS
 Height 83mm Width 580mm Depth 500mm




EASY HLX 50 4G AL



- Gas hob
- Frontal knobs
- 4 cooking zones :
- -1 fast burner (3 kW)
- -2 semi-fast burners (1.75 kW)
- -1 auxiliary burner (1 kW)
- Enamelled grids
- Auto-lock safety device
- Auto-ignition
- Type of gas: LPG (butane/propane)



COLOR
 Stainless Steel
FRAME Brushed stainless steel

EXTERNAL DIMENSIONS
 Height 35mm Width 600mm Depth 435mm

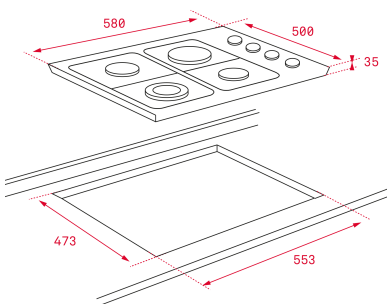
HOBS



EASY HLX 60 3G 1P AI AL



- Gas hob
- Lateral knobs
- 4 cooking zones:
- -1 fast burner (3 kW)
- -1 semi-fast burner (1.75 kW)
- -1 auxiliary burner (1 kW)
- -1 electric plate 145 mm Ø (1 kW)
- Enamelled grids
- Auto-lock safety device
- Auto-ignition
- Type of gas: butane/propane



COLOR

Stainless Steel

FRAME Frameless

EXTERNAL DIMENSIONS

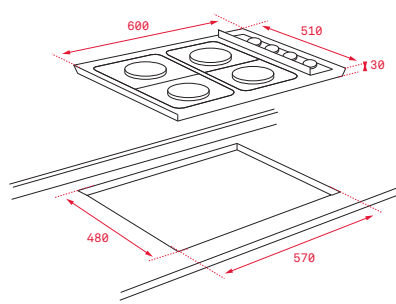
Height mm Width mm Depth mm



EASY E/60.3 4G AI AL



- Gas hob
- Frontal knobs
- 4 cooking zones:
- -1 Auxiliary burner (1.00 kW)
- -2 Semi-fast burner (1.75 kW)
- -1 Fast burner (3.0 kW)
- Enamelled grid
- Auto-lock safety device



COLOR

Stainless Steel

FRAME Frameless

EXTERNAL DIMENSIONS

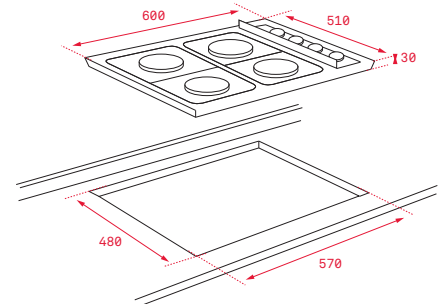
Height mm Width 600mm Depth 510mm



EASY E/60.3 3G 1P AL



- Gas & electric hob
- Frontal knobs
- 4 cooking zones:
- -1 Auxiliary burner (1.00 kW)
- -1 Semi-fast burner (.75 kW)
- -1 Fast burner (3.0 kW)
- -1 electric plate 145 mm Ø (1.5 kW)
- Enamelled grid
- Auto-lock safety device
- Pilot light indicator (electric plate)



COLOR

Stainless Steel

FRAME Frameless

EXTERNAL DIMENSIONS

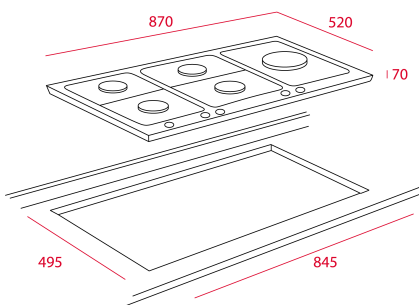
Height 30mm Width 600mm Depth 510mm



MAESTRO EW 90 5G AI AL TR CI



- Gas hob
- Frontal knobs
- 5 cooking zones :
- -1 triple ring burner (3.1 kW)
- -1 fast burner (2.8 kW)
- -1 semi-fast burner (1.75 kW)
- -1 semi-fast burner (1.4 kW)
- -1 auxiliary burner (1 kW)
- Cast iron grids
- Auto-lock safety device
- Auto-ignition



COLOR
 Stainless Steel

FRAME Frameless

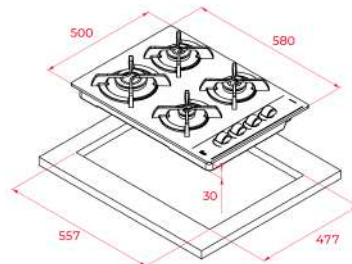
EXTERNAL DIMENSIONS
 Height 170mm Width 870mm Depth 520mm



TOTAL EP 60 4G AI CI

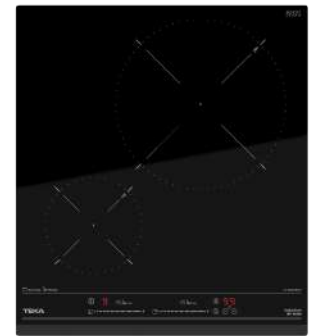


- Gas hob
- Lateral knobs
- 5 cooking zones :
- -1 fast burner (2.8 kW)
- -2 semi-fast burner (1.75 kW)
- -1 auxiliary burner (1 kW)
- Cast iron grids
- Auto-ignition



COLOR
 Stainless Steel

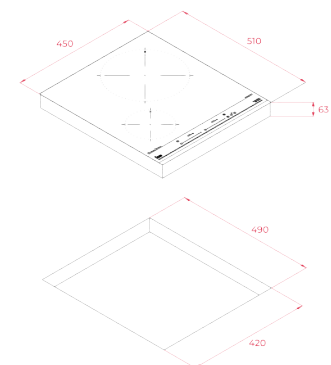
EXTERNAL DIMENSIONS
 Height 30mm Width 500mm Depth 580mm



NEW
MAESTRO IZC 42300



- Modular Induction hob
- Touch Control slider
- Cooking timer
- 2 induction zones
- -1 induction Ø 260 mm
- -1 induction Ø 145 mm
- Special cooking functions: Simmering, Melting and Keep warm
- Power Plus function
- Child lock
- Silence mode
- Fast-Click easy installation
- Maximum nominal power: 3.500 W

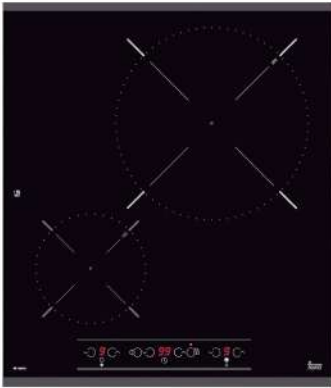


COLOR
 Black Glass

FRAME Front bevelled glass

EXTERNAL DIMENSIONS
 Height 63mm Width 450mm Depth 510mm

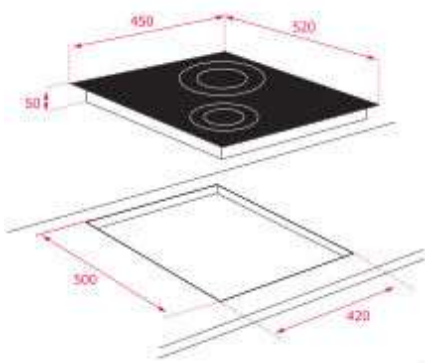
HOBS



MAESTRO IR 4200



- Modular induction hob
- Touch control
- Cooking timer
- 2 cooking zones:
- -1 induction Ø 145 mm
- -1 induction Ø 260 mm
- Power Plus Function
- Low temp function
- Child lock
- Residual heat indicators
- Maximum nominal power : 3.500 W



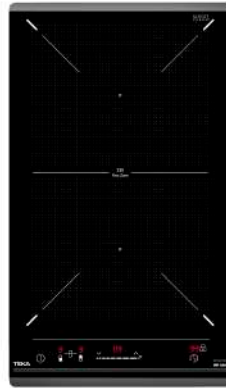
COLOR

Black Glass

FRAME Front & Rear bevelled glass

EXTERNAL DIMENSIONS

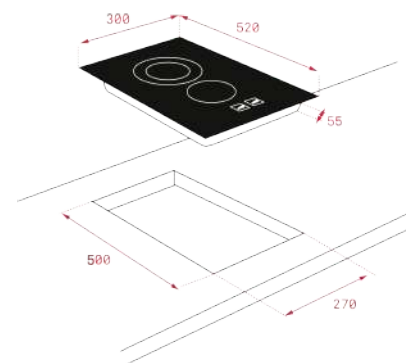
Height 50mm Width 450mm Depth 520mm



MAESTRO IRF 3200



- Modular induction hob
- Touch control
- Cooking timer
- 2 cooking zones:
- -2 Flex induction 235 x 190 mm=235x395
- Low temp function
- Power Plus Function
- Child lock
- Residual heat indicators
- Maximum nominal power : 3.500 W



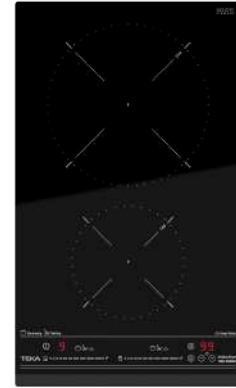
COLOR

Black Glass

FRAME Front & Rear bevelled glass

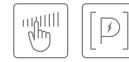
EXTERNAL DIMENSIONS

Height 55mm Width 300mm Depth 520mm

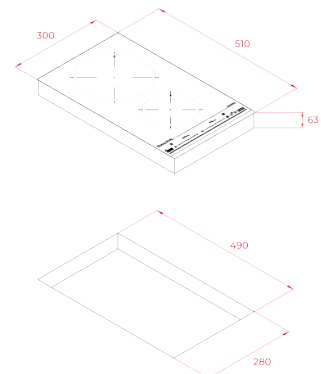


NEW

TOTAL IZC 32300



- Modular induction hob
- Touch Control
- Cooking timer
- 2 induction zones:
- -1 induction zone Ø 210 mm
- -1 induction zone Ø 145 mm
- Child lock
- Special cooking functions: Simmering, Melting and Keep warm
- Power Plus function
- Silence mode
- Fast-Click easy installation
- Maximum nominal power: 3.500 W



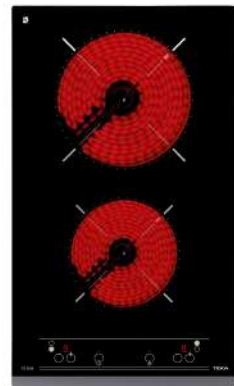
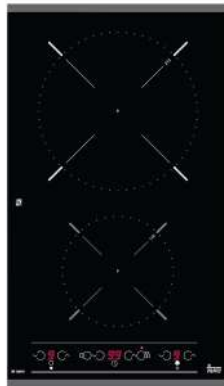
COLOR

Black Glass

FRAME Front bevelled glass

EXTERNAL DIMENSIONS

Height 55mm Width 300mm Depth 510mm

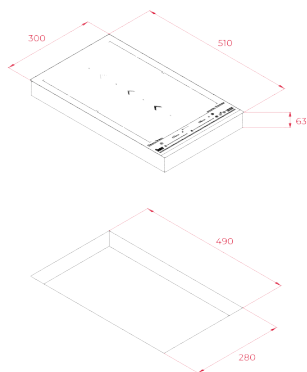


NEW

MAESTRO IZS 34600



- Modular induction hob
- FLEX induction with SlideCooking function
- Touch Control Slider
- Cooking timer
- 4 induction zones (2 + Slide Flex + Flex combined)
- -1 Slide Flex zone 230 x 400 mm
- -1 Flex zone 230 x 400 mm
- -2 zones 230 x 200 mm
- Special cooking functions: Simmering, Melting and Keep warm
- Slide Cooking function
- Power Plus function
- Silence mode
- Fast-Click easy installation
- Maximum nominal power: 3.500 W



COLOR

Black Glass

FRAME Front bevelled glass

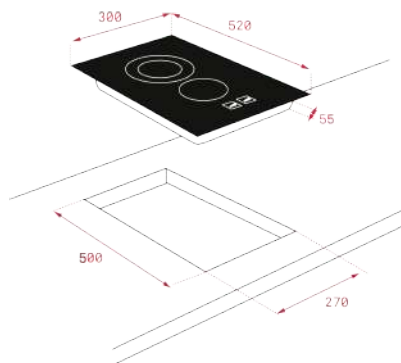
EXTERNAL DIMENSIONS

Height 63mm **Width** 300mm **Depth** 510mm

MAESTRO IR 3200



- Modular induction hob
- Slider touch control
- Cooking timer
- 2 cooking zones:
- -1 induction Ø 145 mm
- -1 induction Ø 210 mm
- Low temp function
- Power Plus Function
- Child lock
- Residual heat indicators
- Maximum nominal power : 3.200 W



COLOR

Black Glass

FRAME Front & Rear bevelled glass

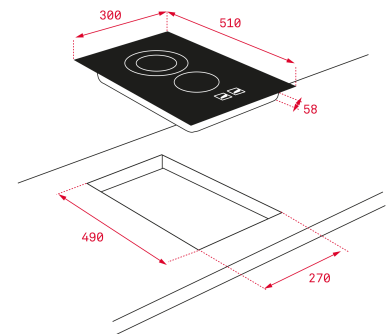
EXTERNAL DIMENSIONS

Height 55mm **Width** 300mm **Depth** 520mm

TOTAL TZ 3210



- Modular Vitroceramic hob
- Touch Control
- 2 cooking zones:
- -1 high light Ø 145 mm
- -1 high light Ø180 mm
- Child lock
- Residual heat indicators
- Optional junction kit
- Maximum nominal power: 3.000 W



COLOR

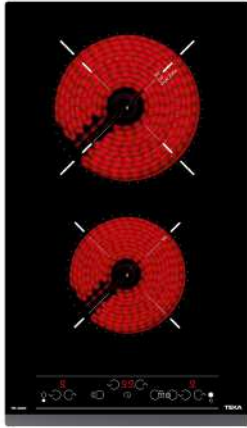
Black Glass

FRAME Front bevelled glass

EXTERNAL DIMENSIONS

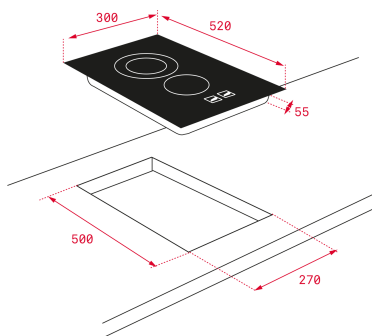
Height 58mm **Width** 300mm **Depth** 510mm

HOBS



TOTAL TR 3220

- Modular vitroceramic hob
- Touch Control
- 2 cooking zones:
 - -1 high light Ø 210 mm
 - -1 high light Ø 145 mm
- Keep warm function
- Maximum nominal power: 2.900 W



COLOR

Black Glass

FRAME Front & Rear bevelled glass

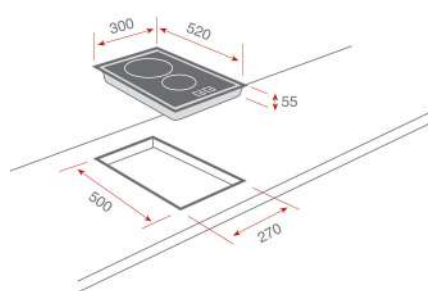
EXTERNAL DIMENSIONS

Height 55mm Width 300mm Depth 520mm



EASY VT CM 30 2P

- Modular vitroceramic hob
- Frontal knobs
- 2 cooking zones:
 - -1 high light Ø 145 mm (1.200 W)
 - -1 high light Ø 180 mm (1.800 W)
- Residual heat indicators
- Maximum nominal power: 3.000 W



COLOR

Black Glass

FRAME Front & Rear bevelled glass

EXTERNAL DIMENSIONS

Height 55mm Width 300mm Depth 520mm

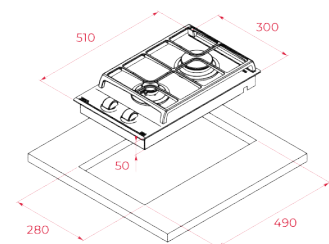


NEW

TOTAL GZC 32300



- Modular Gas on Glass with ExactFlame
- Front control knobs with ergonomic design
- 9 power levels with precise control of the flame
- -1 auxiliary burner (1.00 kW)
- -1 fast burner (2.80 kW)
- Large cast iron grids
- Auto-lock safety device
- Automatic-ignition
- Optional Wok support
- Easy installation kit
- Ceramic glass surface
- Maximum nominal power: 3.800 W
- Type of Gas: Butane



COLOR

Black Glass

FRAME Front bevelled glass

EXTERNAL DIMENSIONS

Height 50mm Width 300mm Depth 510mm

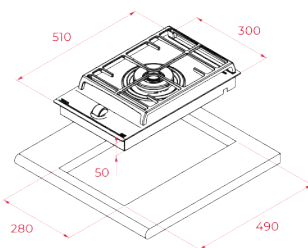


NEW

TOTAL GZC 31330



- Modular Gas on Glass with ExactFlame
- 9 power levels with precise control of the flame
- Front control knobs with ergonomic design
- -1 double ring burner (4.00 kW)
- Large cast iron grids
- Auto-lock safety device
- Automatic-ignition
- Optional Wok support
- Easy installation kit
- Ceramic glass surface
- Maximum nominal power: 5.000 W
- Type of Gas: Butane



COLOR

 Black Glass

FRAME Front bevelled glass

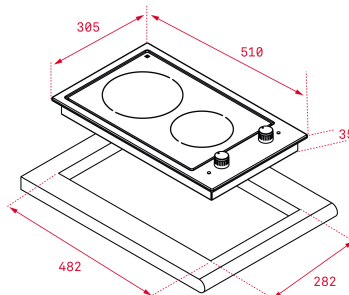
EXTERNAL DIMENSIONS

Height 50mm Width 300mm Depth 510mm



EASY EFX 30.1 2P-T

- Modular electric hob
- Frontal knob
- Timer
- 2 cooking zones:
 - -1 electric plate Ø 145mm
 - -1 electric plate Ø 180 mm
- Stainless steel surface
- Maximum nominal power: 3500 W



COLOR

 Stainless Steel

FRAME Frameless

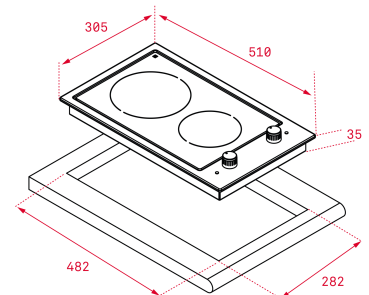
EXTERNAL DIMENSIONS

Height 35mm Width 305mm Depth 510mm



EASY EFX 30.1 2P

- Modular electric hob
- Frontal knob
- 2 cooking zones:
 - -1 electric plate Ø 145 mm
 - -1 electric plate Ø 180 mm
- Stainless steel surface
- Optional junction kit
- Maximum nominal power: 3.000 W



COLOR

 Stainless Steel

FRAME Frameless

EXTERNAL DIMENSIONS

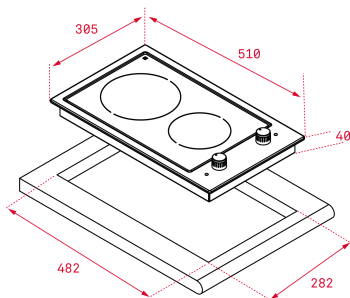
Height 35mm Width 305mm Depth 510mm

HOBS



EASY EFX 30.1 2H

- Modular vitroceramic hob
- Frontal knob
- 2 cooking zones:
 - -1 high light Ø 145 mm
 - -1 high light Ø 180 mm
- Optional junction kit
- Maximum nominal power: 3.000 W



COLOR

Stainless Steel

FRAME Stainless steel frame

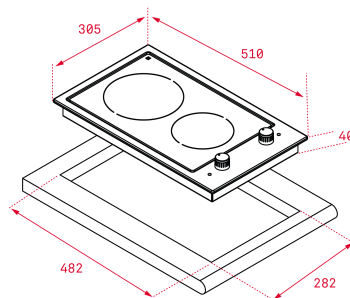
EXTERNAL DIMENSIONS

Height 45mm Width 305mm Depth 510mm



EASY EFX 30.1 2H-T

- Modular vitroceramic hob
- Frontal knob
- 2 cooking zones:
 - -1 high light Ø 145 mm
 - -1 high light Ø 180 mm
- Stainless steel surface
- Maximum nominal power: 3.000 W



COLOR

Stainless Steel

FRAME Stainless steel frame

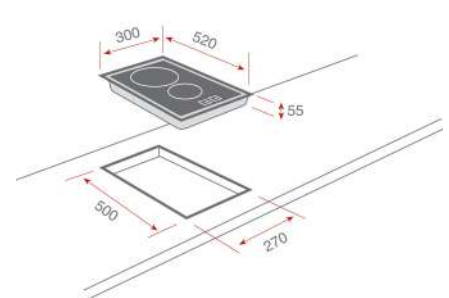
EXTERNAL DIMENSIONS

Height 40mm Width 305mm Depth 510mm



EASY EFX 32300

- Modular vitroceramic hob
- Ceramic glass with stainless steel frame
- Touch control with acoustic sensors
- Security lock
- Programming of cooking time up to 99 minutes with audible alarm (possibility of programming all cooking zones at once)
- Power Plus function
- Container detector
- Cooking zones
 - 1 induction plate (Ø 210 mm) 1500/2000 W
 - 1 induction hob (Ø 145 mm) 1200/1600 W
- Residual heat indicators
- Maximum rated power: 3.600W

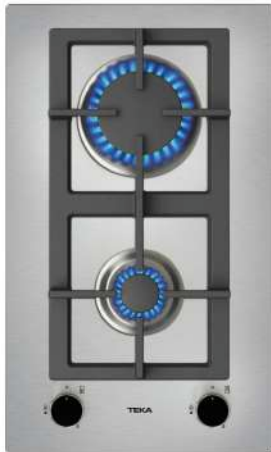


COLOR

Stainless Steel

EXTERNAL DIMENSIONS

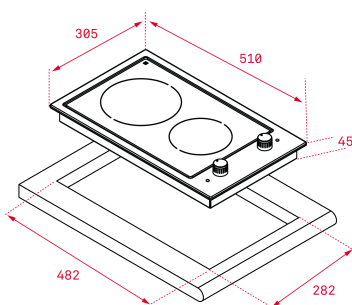
Height mm Width mm Depth mm



EASY EFX 30.1 2G AI AL CI



- Modular gas hob
- Frontal knobs
- High efficiency burners
- 2 cooking zones:
- -1 rapid (3.00 kW)
- -1 auxiliary (1.00 kW)
- Auto-lock safety device
- Auto-ignition
- Cast iron grids
- Optional junction kit
- Maximum nominal power: 1.100 W



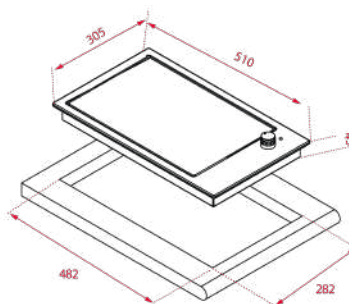
COLOR
 Stainless Steel
FRAME Frameless

EXTERNAL DIMENSIONS
 Height mm Width 305mm Depth 510mm



TOTAL EFX 30.1 FRYER

- Modular Fryer
- Frontal knob
- Overheating cut-off system
- Thermostat for a constant oil temperature control
- 2 electric resistances
- Stainless steel surface
- Maximum nominal power: 2.300 W



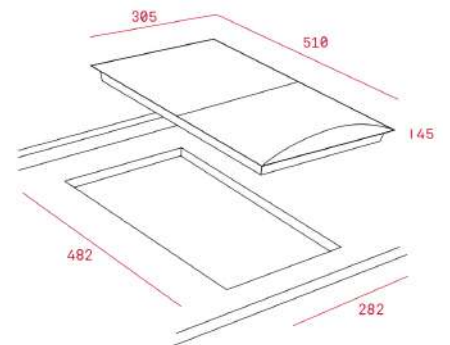
COLOR
 Stainless Steel

EXTERNAL DIMENSIONS
 Height mm Width 305mm Depth 510mm



TOTAL EFX 30.1 TEPPANYAKI

- Modular Teppanyaki
- Frontal knob
- Overheating cut-off system
- High temperature resistance surface (max. 270°C)
- Thermostat for a constant cooking temperature control
- Easy cleaning
- Stainless steel surface
- Maximum nominal power: 2.400 W



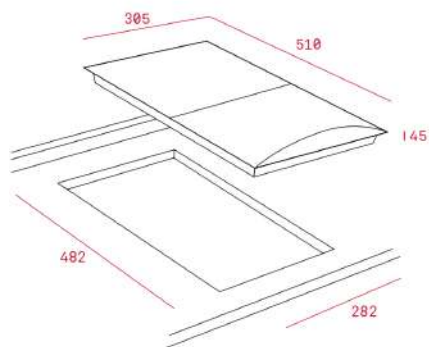
COLOR
 Stainless Steel

EXTERNAL DIMENSIONS
 Height mm Width 305mm Depth 510mm



TOTAL EFX 30.1 GRILL

- Modular Barbecue
- Frontal knob
- 1 electric resistance
- Overheating cut-off system
- Cast iron grid
- Stainless steel surface
- Maximum nominal power: 2.400 W



COLOR

■ Stainless Steel

EXTERNAL DIMENSIONS

Height mm Width 300mm Depth 510mm

Modelo	DirectSense IZF 68600	IZS 96600	IZS 66700	SLIDE ITS 65600	IZS 65600	IRF 9480 TFT	SPACE IRF 9430	SPACE IZF 6424
BUILT-IN DIMENSIONS								
Width (mm)	560	860	560	560	560	860	860	560
Depth (mm)	490	490	490	490	490	490	490	490
Height (mm)	63	63	63	63	63	50	50	50
COOKING ELEMENTS								
COOKING ZONE -left front . (Type)	FlexZone	-	Single Zone	FlexZone	FlexZone	-	-	FlexZone
COOKING ZONE -left center . (Type)	-	Single Zone	-	-	-	Single Zone	Single Zone	-
COOKING ZONE -left rear . (Type)	FlexZone	-	Single Zone	FlexZone	FlexZone	-	-	FlexZone
COOKING ZONE - center front . (Type)	-	-	-	-	-	-	-	-
COOKING ZONE -center center . (Type)	-	Single Zone	-	-	-	Single Zone	Single Zone	-
COOKING ZONE -center rear . (Type)	-	-	-	-	-	-	-	-
COOKING ZONE -right front . (Type)	FlexZone	FlexZone	FlexZone	-	-	FlexZone	FlexZone	FlexZone
COOKING ZONE -right center . (Type)	-	-	-	Double Zone	Double Zone	-	-	-
COOKING ZONE -right rear . (Type)	FlexZone	FlexZone	FlexZone	-	-	FlexZone	FlexZone	FlexZone
COOKING ZONE -left front , mm	262,5 X 195	-	145	255x200	255x200	-	-	235x180
COOKING ZONE -left center , mm	-	280	-	-	-	280	280	-
COOKING ZONE -left rear , mm	262,5 X 195	-	210	255x200	255x200	-	-	235x180
COOKING ZONE -center front , mm	-	-	-	-	-	-	-	-
COOKING ZONE -center center , mm	-	145	-	-	-	145	145	-
COOKING ZONE -center rear , mm	-	-	-	-	-	-	-	-
COOKING ZONE -right front , mm	262,5 X 195	228x212,5	228x200	-	-	280x385	270x180	235x180
COOKING ZONE -right center , mm	-	-	-	280 / 180	280 / 180	-	-	-
COOKING ZONE -right rear , mm	262,5 X 195	228x212,5	228x200	-	-	280x385	270x180	235x180
COOKING ZONE -left front , (W)	2400-3700	-	1400 - 1800	1850 - 2200	1850 - 2200	-	2300 - 3700	1850 - 2200
COOKING ZONE -left center , (W)	-	2300 - 3700	-	-	-	2300 - 3700	-	-
COOKING ZONE -left rear , (W)	2400-3700	-	2300 - 3200	1850 - 2200	1850 - 2200	-	-	1850 - 2200
COOKING ZONE -center front , (W)	-	-	-	-	-	-	-	-
COOKING ZONE -center center , (W)	-	1100 - 1800	-	-	-	1400 - 1800	1400 - 1800	-
COOKING ZONE - center rear ,(W)	-	-	-	-	-	-	-	-
COOKING ZONE -right front , (W)	2400-3700	1850 - 2200	1850 - 2200	-	-	1850 - 2500	1850 - 2500	1850 - 2200
COOKING ZONE -right center , (W)	-	-	-	2500 - 3700	2500 - 3700	-	-	-
COOKING ZONE -right rear , (W)	2400-3700	1850 - 2200	1850 - 2200	-	-	1850 - 2500	1850 - 2500	1850 - 2200
ELECTRICAL FEATURES								
Maximum Nominal Power (W)(Induction or VTC)	7400	7400	7400	7400	7400	7400	7400	7400
Maximum Nominal Power (W) (Gas)	-	-	-	-	-	-	-	-
Wire lenght (cm)	110	110	110	110	110	110	110	110
SAFETY SYSTEMS								
Child Lock	✓	✓	✓	✓	✓	✓	✓	✓
Automatic safety disconnection	✓	✓	✓	✓	✓	✓	✓	✓
Residual heat indicator	✓	✓	✓	✓	✓	✓	✓	✓

Modelo	SPACE IZF 6420	SPACE IZF 6320	SPACE ITF 6320	iKnob IT 6450	iKnob IT 6350	IRC 9430 KS	IR 9330 HS	IRC 6320
BUILT-IN DIMENSIONS								
Width (mm)	560	560	560	560	560	930	860	570
Depth (mm)	490	490	490	490	490	500	380	492
Height (mm)	50	50	50	50	50	50	50	55
COOKING ELEMENTS								
COOKING ZONE -left front , (Type)	Single Zone	FlexZone	FlexZone	Single Zone	Single Zone	Single Zone	Single Zone	Single Zone
COOKING ZONE -left center , (Type)	-	-	-	-	-	Single Zone	-	-
COOKING ZONE -left rear , (Type)	Single Zone	FlexZone	FlexZone	Single Zone	Single Zone	-	-	Single Zone
COOKING ZONE -center front , (Type)	-	-	-	-	-	-	-	-
COOKING ZONE -center center , (Type)	-	-	-	-	-	-	Single Zone	-
COOKING ZONE -center rear , (Type)	-	-	-	-	-	-	-	-
COOKING ZONE -right front , (Type)	FlexZone	-	-	Single Zone	-	Single Zone	Double Zone	-
COOKING ZONE -right center , (Type)	-	Double Zone	Double Zone	-	Double Zone	Single Zone	-	Double Zone
COOKING ZONE -right rear , (Type)	FlexZone	-	-	Single Zone	-	-	-	-
COOKING ZONE -left front , mm	145	235x180	235x180	145	145	280	210	180
COOKING ZONE -left center , mm	-	-	-	-	-	145	-	-
COOKING ZONE -left rear , mm	210	235x180	235x180	210	210	-	-	145
COOKING ZONE -center front , mm	-	-	-	-	-	-	-	-
COOKING ZONE -center center , mm	-	-	-	-	-	-	145	-
COOKING ZONE -center rear , mm	-	-	-	-	-	-	-	-
COOKING ZONE -right front , mm	235x180	-	-	180	-	180	180 / 280	-
COOKING ZONE -right center , mm	-	180 / 280	180 / 280	-	190 / 300	180	-	180 / 280
COOKING ZONE -right rear , mm	235x180	-	-	180	-	-	-	-
COOKING ZONE -left front , (W)	1400 - 1800	1850 - 2200	1850 - 2200	1400 - 1800	1400 - 1800	2300 - 3700	2300 - 3200	1850 - 2500
COOKING ZONE -left center , (W)	-	-	-	-	-	1400 - 1800	-	-
COOKING ZONE -left rear , (W)	2300 - 3200	1850 - 2200	1850 - 2200	2300 - 3200	2300 - 3200	-	-	1400 - 1800
COOKING ZONE -center front , (W)	-	-	-	-	-	-	-	-
COOKING ZONE -center center , (W)	-	-	-	-	-	-	1400 - 1800	-
COOKING ZONE -center rear , (W)	-	-	-	-	-	-	-	-
COOKING ZONE -right front , (W)	1850 - 2200	-	-	1850 - 2500	-	1800 - 2500	2500 - 3700	-
COOKING ZONE -right center , (W)	-	2500 - 3700	2500 - 3700	-	2500 - 3700	1800 - 2500	-	2500 - 3700
COOKING ZONE -right rear , (W)	1850 - 2200	-	-	1850 - 2500	-	-	-	-
ELECTRICAL FEATURES								
Maximum Nominal Power (W)(Induction or VTC)	7400	7400	7400	7400	7400	7400	7400	7400
Maximum Nominal Power (W) (Gas)	-	-	-	-	-	-	-	-
Wire lenght (cm)	110	110	110	110	110	150	110	110
SAFETY SYSTEMS								
Child Lock	✓	✓	✓	✓	✓	✓	✓	✓
Automatic safety disconnection	✓	✓	✓	✓	✓	✓	✓	✓
Residual heat indicator	✓	✓	✓	✓	✓	✓	✓	✓

Modelo	IR 9530	IR 8430	IZ 8320 HS	IR 8300 HS	IZ 7210	IT 6420	IZ 6420	IT 6320
BUILT-IN DIMENSIONS								
Width (mm)	860	750	780	780	695	560	560	560
Depth (mm)	490	490	380	380	360	490	490	490
Height (mm)	50	50	55	50	60	50	50	50
COOKING ELEMENTS								
COOKING ZONE -left front , (Type)	Single Zone	-	-	-	-	Single Zone	Single Zone	Single Zone
COOKING ZONE -left center , (Type)	-	Single Zone	Single Zone	Single Zone	Single Zone	-	-	-
COOKING ZONE -left rear , (Type)	Single Zone	-	-	-	-	Single Zone	Single Zone	Single Zone
COOKING ZONE - center front , (Type)	-	-	-	-	-	-	-	-
COOKING ZONE -center center , (Type)	Double Zone	Single Zone	Single Zone	Single Zone	-	-	-	-
COOKING ZONE -center rear , (Type)	-	-	-	-	-	-	-	-
COOKING ZONE -right front, (Type)	Single Zone	Single Zone	-	-	-	Single Zone	Single Zone	-
COOKING ZONE -right center, (Type)	-	-	Double Zone	Double Zone	Single Zone	-	-	Double Zone
COOKING ZONE -right rear, (Type)	Single Zone	Single Zone	-	-	-	Single Zone	Single Zone	-
COOKING ZONE -left front , mm	145	-	-	-	-	145	145	145
COOKING ZONE -left center , mm	-	280	210	210	180	-	-	-
COOKING ZONE -left rear , mm	210	-	-	-	-	210	210	210
COOKING ZONE -center front , mm	-	-	-	-	-	-	-	-
COOKING ZONE -center center, mm	190 / 300	145	145	145	-	-	-	-
COOKING ZONE -center rear , mm	-	-	-	-	-	-	-	-
COOKING ZONE -right front, mm	180	180	-	-	-	180	180	-
COOKING ZONE -right center, mm	-	-	190 / 300	180 / 280	240	-	-	190 / 300
COOKING ZONE -right rear , mm	180	180	-	-	-	180	180	-
COOKING ZONE -left front, (W)	1400 - 1800	-	-	-	-	1400 - 1800	1400 - 1800	1400 - 1800
COOKING ZONE -left center, (W)	-	2300 - 3700	2300 - 3200	2300 - 3200	1500 - 2200	-	-	-
COOKING ZONE -left rear, (W)	2300 - 3200	-	-	-	-	2300 - 3200	2300 - 3200	2300 - 3200
COOKING ZONE -center front, (W)	-	-	-	-	-	-	-	-
COOKING ZONE -center center, (W)	2500 - 3700	1400 - 1800	1400 - 1800	1400 - 1800	-	-	-	-
COOKING ZONE - center rear,(W)	-	-	-	-	-	-	-	-
COOKING ZONE -right front, (W)	1800 - 2500	1850 - 2500	-	-	-	1850 - 2500	1850 - 2500	-
COOKING ZONE -right center, (W)	-	-	2500 - 3700	2500 - 3700	2000-3000	-	-	2500 - 3700
COOKING ZONE -right rear, (W)	1800 - 2500	1850 - 2500	-	-	-	1850 - 2500	1850 - 2500	-
ELECTRICAL FEATURES								
Maximum Nominal Power (W)(Induction or VTC)	11000	7400	7400	7400	3500	7400	7400	7400
Maximum Nominal Power (W) (Gas)	-	-	-	-	-	-	-	-
Wire lenght (cm)	110	110	110	110	110	110	110	110
SAFETY SYSTEMS								
Child Lock	√	√	√	√	√	√	√	√
Automatic safety disconnection	√	√	√	√	√	√	√	√
Residual heat indicator	√	√	√	√	√	√	√	√

Modelo	IZ 6415	IB 6415	IZ 6320	IZ 6315	IB 6315	IB 6310	IBC 64000 TTC	IBC 63010 MSS
BUILT-IN DIMENSIONS								
Width (mm)	560	560	560	560	560	560	560	560
Depth (mm)	490	490	490	490	490	490	490	490
Height (mm)	50	50	50	50	50	50	50	50
COOKING ELEMENTS								
COOKING ZONE -left front , (Type)	Single Zone	Single Zone	Single Zone	Single Zone	Single Zone	Single Zone	Single Zone	Single Zone
COOKING ZONE -left center , (Type)	-	-	-	-	-	-	-	-
COOKING ZONE -left rear , (Type)	Single Zone	Single Zone	Single Zone	Single Zone	Single Zone	Single Zone	Single Zone	Single Zone
COOKING ZONE - center front , (Type)	-	-	-	-	-	-	-	-
COOKING ZONE -center center , (Type)	-	-	-	-	-	-	-	-
COOKING ZONE -center rear , (Type)	-	-	-	-	-	-	-	-
COOKING ZONE -right front , (Type)	Single Zone	Single Zone	-	-	-	-	Single Zone	-
COOKING ZONE -right center , (Type)	-	-	Double Zone	Double Zone	Double Zone	Single Zone	-	Single Zone
COOKING ZONE -right rear , (Type)	Single Zone	Single Zone	-	-	-	-	Single Zone	-
COOKING ZONE -left front , mm	145	145	145	145	145	145	145	145
COOKING ZONE -left center , mm	-	-	-	-	-	-	-	-
COOKING ZONE -left rear , mm	210	210	210	180	180	180	180	180
COOKING ZONE -center front , mm	-	-	-	-	-	-	-	-
COOKING ZONE -center center , mm	-	-	-	-	-	-	-	-
COOKING ZONE -center rear , mm	-	-	-	-	-	-	-	-
COOKING ZONE -right front , mm	180	180	-	-	-	-	180	-
COOKING ZONE -right center , mm	-	-	190 / 300	180 / 280	180 / 280	260	-	280
COOKING ZONE -right rear , mm	145	145	-	-	-	-	145	-
COOKING ZONE -left front , (W)	1200 - 1500	1200 - 1500	1400 - 1800	1200 - 1500	1200 - 1500	1200 - 1500	1200 - 1500	1200 - 1500
COOKING ZONE -left center , (W)	-	-	-	-	-	-	-	-
COOKING ZONE -left rear , (W)	2000 - 2300	2000 - 2300	2300 - 3200	1700 - 2100	1700 - 2100	1700 - 2100	1700 - 2000	1700 - 2000
COOKING ZONE -center front , (W)	-	-	-	-	-	-	-	-
COOKING ZONE -center center , (W)	-	-	-	-	-	-	-	-
COOKING ZONE - center rear,(W)	-	-	-	-	-	-	-	-
COOKING ZONE -right front , (W)	1700 - 2100	1700 - 2100	-	-	-	-	1700 - 2000	-
COOKING ZONE -right center , (W)	-	-	2500 - 3700	2500 - 3600	2500 - 3600	2000 - 2300	-	2000 - 2300
COOKING ZONE -right rear , (W)	1200 - 1500	1200 - 1500	-	-	-	-	1200 - 1500	-
ELECTRICAL FEATURES								
Maximum Nominal Power (W)(Induction or VTC)	7200	7200	7400	7200	7200	5900	7200	5900
Maximum Nominal Power (W) (Gas)	-	-	-	-	-	-	-	-
Wire lenght (cm)	110	110	110	110	110	110	110	110
SAFETY SYSTEMS								
Child Lock	✓	✓	✓	✓	✓	✓	✓	✓
Automatic safety disconnection	✓	✓	✓	✓	✓	✓	✓	✓
Residual heat indicator	✓	✓	✓	✓	✓	✓	✓	✓

Modelo	IZ 5320	TRC 83631	TT 6420	TZ 6420	TT 6320	TZ 6320	TZ 6415	TB 6415
BUILT-IN DIMENSIONS								
Width (mm)	580	780	560	560	560	560	560	560
Depth (mm)	415	380	490	490	490	490	490	490
Height (mm)	55	63	63	63	63	63	63	63
COOKING ELEMENTS								
COOKING ZONE -left front , (Type)	Single Zone	-	Single High Light	Single High Light	Single High Light	Single High Light	Single High Light	Single High Light
COOKING ZONE -left center , (Type)	-	Single High Light	-	-	-	-	-	-
COOKING ZONE -left rear , (Type)	Single Zone	-	Double High Light	Double High Light	Double High Light	Double High Light	Single High Light	Single High Light
COOKING ZONE - center front , (Type)	-	-	-	-	-	-	-	-
COOKING ZONE -center center , (Type)	-	Single High Light	-	-	-	-	-	-
COOKING ZONE -center rear , (Type)	-	-	-	-	-	-	-	-
COOKING ZONE -right front , (Type)	-	-	Single High Light	Single High Light	-	-	Single High Light	Single High Light
COOKING ZONE -right center , (Type)	Double Zone	Triple High Light	-	-	Double High Light	Double High Light	-	-
COOKING ZONE -right rear , (Type)	-	-	Single High Light	Single High Light	-	-	Single High Light	Single High Light
COOKING ZONE -left front , mm	145	-	145	145	145	145	145	145
COOKING ZONE -left center , mm	-	180	-	-	-	-	-	-
COOKING ZONE -left rear , mm	145	-	180 / 210	180 / 210	120 / 180	120 / 180	210	210
COOKING ZONE -center front , mm	-	-	-	-	-	-	-	-
COOKING ZONE -center center , mm	-	145	-	-	-	-	-	-
COOKING ZONE -center rear , mm	-	-	-	-	-	-	-	-
COOKING ZONE -right front , mm	-	-	145	145	-	-	145	145
COOKING ZONE -right center , mm	180 / 280	145 / 210 / 270	-	-	210 / 270	210 / 270	-	-
COOKING ZONE -right rear , mm	-	-	180	180	-	-	180	180
COOKING ZONE -left front , (W)	1400 - 1800	-	1200	1200	1200	1200	1200	1200
COOKING ZONE -left center , (W)	-	1800	-	-	-	-	-	-
COOKING ZONE -left rear , (W)	1400 - 1800	-	1400 - 2000	1400 - 2000	700 - 1700	700 - 1700	2100	2100
COOKING ZONE -center front , (W)	-	-	-	-	-	-	-	-
COOKING ZONE -center center , (W)	-	1200	-	-	-	-	-	-
COOKING ZONE - center rear , (W)	-	-	-	-	-	-	-	-
COOKING ZONE -right front , (W)	-	-	1200	1200	-	-	1200	1200
COOKING ZONE -right center , (W)	2500 - 3700	1050 - 1950 - 2700	-	-	1800 - 2700	1800 - 2700	-	-
COOKING ZONE -right rear , (W)	-	-	1800	1800	-	-	1800	1800
ELECTRICAL FEATURES								
Maximum Nominal Power (W)(Induction or VTC)	7300	5700	6200	6200	5600	5600	6300	6300
Maximum Nominal Power (W) (Gas)	-	-	-	-	-	-	-	-
Wire lenght (cm)	110	-	100	100	110	110	100	100
SAFETY SYSTEMS								
Child Lock	✓	✓	✓	✓	✓	✓	✓	✓
Automatic safety disconnection	✓	✓	✓	✓	✓	✓	✓	✓
Residual heat indicator	✓	✓	✓	✓	✓	✓	✓	✓

Modelo	TT 6315	TZ 6315	TB 6315	TR 6315	TB 6310	VT CM	TR 5300	VTC B
BUILT-IN DIMENSIONS								
Width (mm)	560	560	560	560	560	580	580	580
Depth (mm)	490	490	490	490	490	492	415	492
Height (mm)	63	63	63	63	63	60	63	115
COOKING ELEMENTS								
COOKING ZONE -left front , (Type)	Single High Light	Single High Light	Single High Light	Single High Light	Single High Light	Single High Light	Single High Light	Single High Light
COOKING ZONE -left center , (Type)	-	-	-	-	-	-	-	-
COOKING ZONE -left rear , (Type)	Single High Light	Single High Light	Single High Light	Single High Light	Single High Light	Single High Light	Double High Light	Single High Light
COOKING ZONE - center front , (Type)	-	-	-	-	-	-	-	-
COOKING ZONE -center center , (Type)	-	-	-	-	-	-	-	-
COOKING ZONE -center rear , (Type)	-	-	-	-	-	-	-	-
COOKING ZONE -right front , (Type)	-	-	-	-	-	Single High Light	-	Single High Light
COOKING ZONE -right center , (Type)	Double High Light	Double High Light	Double High Light	Double High Light	Double High Light	-	Double High Light	-
COOKING ZONE -right rear , (Type)	-	-	-	-	-	Single High Light	-	Single High Light
COOKING ZONE -left front , mm	145	145	145	145	145	180	100	210
COOKING ZONE -left center , mm	-	-	-	-	-	-	-	-
COOKING ZONE -left rear , mm	180	180	180	180	180	145	120 / 180	145
COOKING ZONE -center front , mm	-	-	-	-	-	-	-	-
COOKING ZONE -center center , mm	-	-	-	-	-	-	-	-
COOKING ZONE -center rear , mm	-	-	-	-	-	-	-	-
COOKING ZONE -right front , mm	-	-	-	-	-	145	-	145
COOKING ZONE -right center , mm	210 / 270	210 / 270	210 / 270	210 / 270	180 / 230	-	180 / 230	-
COOKING ZONE -right rear , mm	-	-	-	-	-	180	-	180
COOKING ZONE -left front , (W)	1200	1200	1200	1200	1200	1800	600	2100
COOKING ZONE -left center , (W)	-	-	-	-	-	-	-	-
COOKING ZONE -left rear , (W)	1800	1800	1800	1800	1800	1200	700 - 1700	1200
COOKING ZONE -center front , (W)	-	-	-	-	-	-	-	-
COOKING ZONE -center center , (W)	-	-	-	-	-	-	-	-
COOKING ZONE - center rear , (W)	-	-	-	-	-	-	-	-
COOKING ZONE -right front , (W)	-	-	-	-	-	1200	-	1200
COOKING ZONE -right center , (W)	1500 - 2400	1500 - 2400	1500 - 2400	1500 - 2400	1500 - 2400	-	1500 - 2400	-
COOKING ZONE -right rear , (W)	-	-	-	-	-	1800	-	1800
ELECTRICAL FEATURES								
Maximum Nominal Power (W)(Induction or VTC)	5400	5400	5400	5400	5100	6000	4750	6300
Maximum Nominal Power (W) (Gas)	-	-	-	-	-	-	-	-
Wire lenght (cm)	110	110	110	110	100	90	110	90
SAFETY SYSTEMS								
Child Lock	✓	✓	✓	✓	✓	-	✓	-
Automatic safety disconnection	✓	✓	✓	✓	✓	-	✓	-
Residual heat indicator	✓	✓	✓	✓	✓	✓	✓	✓

Modelo	VT N DC	CGC 4G AI AL	CG.1 4G AI AL	IG 940 1G AI AL DR CI	IG 620 1G AI AL DR CI	IG 620 2G AI AL CI	CGW LUX 60 TC 4G AI AL CI	GZC 96310
BUILT-IN DIMENSIONS								
Width (mm)	580	580	-	860	560	560	570	850
Depth (mm)	492	492	-	490	490	490	480	480
Height (mm)	115	115	-	50	50	50	50	50
COOKING ELEMENTS								
COOKING ZONE -left front . (Type)	Single High Light	SEMIRAPID	SEMIRAPID	-	-	AUXILIARY	AUXILIARY	AUXILIARY
COOKING ZONE -left center . (Type)	-	-	-	DOUBLE RING	DOUBLE RING	-	-	-
COOKING ZONE -left rear . (Type)	Single High Light	RAPID	RAPID	-	-	RAPID	RAPID	RAPID
COOKING ZONE - center front . (Type)	-	-	-	Single Zone	-	-	-	SEMIRAPID
COOKING ZONE -center center . (Type)	-	-	-	-	-	-	-	-
COOKING ZONE -center rear . (Type)	-	-	-	Single Zone	-	-	-	SEMIRAPID
COOKING ZONE -right front . (Type)	Single High Light	AUXILIARY	AUXILIARY	Single Zone	Single Zone	Single Zone	SEMIRAPID	DOUBLE RING
COOKING ZONE -right center . (Type)	-	-	-	-	-	-	-	-
COOKING ZONE -right rear . (Type)	Single High Light	SEMIRAPID	SEMIRAPID	Single Zone	Single Zone	Single Zone	SEMIRAPID	SEMIRAPID
COOKING ZONE -left front , mm	-	-	-	-	-	-	-	-
COOKING ZONE -left center , mm	-	-	-	-	-	-	-	-
COOKING ZONE -left rear , mm	-	-	-	-	-	-	-	-
COOKING ZONE -center front , mm	-	-	-	210	-	-	-	-
COOKING ZONE -center center .mm	-	-	-	-	-	-	-	-
COOKING ZONE -center rear , mm	-	-	-	145	-	-	-	-
COOKING ZONE -right front .mm	-	-	-	145	145	145	-	-
COOKING ZONE -right center .mm	-	-	-	-	-	-	-	-
COOKING ZONE -right rear , mm	-	-	-	210	210	210	-	-
COOKING ZONE -left front . (W)	2100	1750	1750	-	-	1000	-	1000
COOKING ZONE -left center . (W)	-	-	-	5000	5000	-	-	-
COOKING ZONE -left rear . (W)	1200	3000	3000	-	-	2800	-	2800
COOKING ZONE -center front . (W)	-	-	-	1500-2000	-	-	-	1750
COOKING ZONE -center center . (W)	-	-	-	-	-	-	-	-
COOKING ZONE - center rear.(W)	-	-	-	1200-1600	-	-	-	1750
COOKING ZONE -right front . (W)	1200	1000	1000	1200-1600	1200-1600	1200-1600	-	5000
COOKING ZONE -right center . (W)	-	-	-	-	-	-	-	-
COOKING ZONE -right rear . (W)	1800	1750	1750	1500-2000	1500-2000	1500-2000	-	1750
ELECTRICAL FEATURES								
Maximum Nominal Power (W)(Induction or VTC)	6900	-	-	7200	3600	3600	-	-
Maximum Nominal Power (W) (Gas)	-	7500	-	5000	5000	3800	600	12700
Wire lenght (cm)	90	-	-	120	120	120	120	-
SAFETY SYSTEMS								
Child Lock	-	-	-	√	√	√	-	-
Automatic safety disconnection	-	-	-	-	-	-	-	-
Residual heat indicator	√	-	-	-	-	-	-	-

Modelo	GZC 95320	GZC 85320	GZC 75330	GZC 64300	GZC 64320	GZC 64321	GZC 63310	GBC 75030
BUILT-IN DIMENSIONS								
Width (mm)	850	570	570	570	570	570	570	570
Depth (mm)	480	480	480	480	480	480	480	480
Height (mm)	50	50	50	50	50	50	50	50
COOKING ELEMENTS								
COOKING ZONE -left front , (Type)	-	-	SEMIRAPID	SEMIRAPID	DOUBLE RING	DOUBLE RING	AUXILIARY	AUXILIARY
COOKING ZONE -left center , (Type)	DOUBLE RING	DOUBLE RING	-	-	-	-	-	-
COOKING ZONE -left rear , (Type)	-	-	SEMIRAPID	SEMIRAPID	SEMIRAPID	SEMIRAPID	RAPID	SEMIRAPID
COOKING ZONE - center front , (Type)	SEMIRAPID	SEMIRAPID	-	-	-	-	-	-
COOKING ZONE -center center , (Type)	-	-	DOUBLE RING	-	-	-	-	DOUBLE RING
COOKING ZONE -center rear , (Type)	SEMIRAPID	SEMIRAPID	-	-	-	-	-	-
COOKING ZONE -right front, (Type)	AUXILIARY	AUXILIARY	AUXILIARY	AUXILIARY	AUXILIARY	AUXILIARY	-	AUXILIARY
COOKING ZONE -right center, (Type)	-	-	-	-	-	-	DOUBLE RING	-
COOKING ZONE -right rear, (Type)	RAPID	RAPID	RAPID	RAPID	RAPID	RAPID	-	SEMIRAPID
COOKING ZONE -left front , mm	-	-	-	-	-	-	-	-
COOKING ZONE -left center , mm	-	-	-	-	-	-	-	-
COOKING ZONE -left rear , mm	-	-	-	-	-	-	-	-
COOKING ZONE -center front , mm	-	-	-	-	-	-	-	-
COOKING ZONE -center center, mm	-	-	-	-	-	-	-	-
COOKING ZONE -center rear , mm	-	-	-	-	-	-	-	-
COOKING ZONE -right front, mm	-	-	-	-	-	-	-	-
COOKING ZONE -right center, mm	-	-	-	-	-	-	-	-
COOKING ZONE -right rear , mm	-	-	-	-	-	-	-	-
COOKING ZONE -left front, (W)	-	-	1750	1400	4000	4000	1000	1000
COOKING ZONE -left center, (W)	5000	5000	-	-	-	-	-	-
COOKING ZONE -left rear, (W)	-	-	1750	1400	1750	1750	2800	1750
COOKING ZONE -center front, (W)	1750	1750	-	-	-	-	-	-
COOKING ZONE -center center, (W)	-	-	4000	-	-	-	-	3500
COOKING ZONE - center rear,(W)	1750	1750	-	-	-	-	-	-
COOKING ZONE -right front, (W)	1000	1000	1000	1000	1000	1000	-	1000
COOKING ZONE -right center, (W)	-	-	-	-	-	-	4000	-
COOKING ZONE -right rear, (W)	2800	2800	2800	2800	2800	2800	-	1750
ELECTRICAL FEATURES								
Maximum Nominal Power (W)(Induction or VTC)	-	-	-	-	-	-	-	-
Maximum Nominal Power (W) (Gas)	11950	12300	11300	6950	9550	9550	-	9000
Wire lenght (cm)	-	-	-	-	-	-	-	-
SAFETY SYSTEMS								
Child Lock	-	-	-	-	-	-	-	-
Automatic safety disconnection	-	-	√	-	-	-	-	-
Residual heat indicator	-	-	-	-	-	-	-	-

Modelo	GBC 64000	GBC 64003	GBC 63010	EFX 90.1 6G AI AL DR CI	EFX 90.1 5G AI AL DR CI	EFX 70.1 5G AI AL DR CI	EFX 60.1 4G AI AL DR CI	EX 90.1 5G AI AL DR CI
BUILT-IN DIMENSIONS								
Width (mm)	570	575	570	833	833	553	553	833
Depth (mm)	480	405	480	475	475	473	473	475
Height (mm)	50	40	50	45	45	45	45	52
COOKING ELEMENTS								
COOKING ZONE -left front . (Type)	SEMIRAPID	RAPID	AUXILIARY	DOUBLE RING	-	-	DOUBLE RING	-
COOKING ZONE -left center . (Type)	-	-	-	-	DOUBLE RING	DOUBLE RING	-	DOUBLE RING
COOKING ZONE -left rear . (Type)	SEMIRAPID	SEMIRAPID	SEMIRAPID	SEMIRAPID	-	-	SEMIRAPID	-
COOKING ZONE - center front . (Type)	-	-	-	AUXILIARY	AUXILIARY	AUXILIARY	-	SEMIRAPID
COOKING ZONE -center center . (Type)	-	-	-	-	-	-	-	-
COOKING ZONE -center rear . (Type)	-	-	-	SEMIRAPID	SEMIRAPID	SEMIRAPID	-	SEMIRAPID
COOKING ZONE -right front . (Type)	AUXILIARY	AUXILIARY	-	SEMIRAPID	SEMIRAPID	SEMIRAPID	AUXILIARY	AUXILIARY
COOKING ZONE -right center . (Type)	-	-	DOUBLE RING	-	-	-	-	-
COOKING ZONE -right rear . (Type)	RAPID	SEMIRAPID	-	RAPID	RAPID	RAPID	SEMIRAPID	RAPID
COOKING ZONE -left front , mm	-	-	-	-	-	-	-	-
COOKING ZONE -left center , mm	-	-	-	-	-	-	-	-
COOKING ZONE -left rear , mm	-	-	-	-	-	-	-	-
COOKING ZONE -center front , mm	-	-	-	-	-	-	-	-
COOKING ZONE -center center, mm	-	-	-	-	-	-	-	-
COOKING ZONE -center rear , mm	-	-	-	-	-	-	-	-
COOKING ZONE -right front, mm	-	-	-	-	-	-	-	-
COOKING ZONE -right center, mm	-	-	-	-	-	-	-	-
COOKING ZONE -right rear , mm	-	-	-	-	-	-	-	-
COOKING ZONE -left front, (W)	1750	2800	1000	4000	-	-	4000	-
COOKING ZONE -left center, (W)	-	-	-	-	4000	4000	-	4000
COOKING ZONE -left rear, (W)	1750	1750	1750	1750	-	-	1750	-
COOKING ZONE -center front, (W)	-	-	-	1000	1000	1000	-	1750
COOKING ZONE -center center, (W)	-	-	-	-	-	-	-	-
COOKING ZONE - center rear,(W)	-	-	-	1750	1750	1750	-	1750
COOKING ZONE -right front, (W)	1000	1000	-	1750	1750	1750	1000	1000
COOKING ZONE -right center, (W)	-	-	3500	-	-	-	-	-
COOKING ZONE -right rear, (W)	2800	1750	-	3000	3000	3000	1750	2800
ELECTRICAL FEATURES								
Maximum Nominal Power (W)(Induction or VTC)	-	-	-	-	-	-	-	-
Maximum Nominal Power (W) (Gas)	7300	7300	6250	13250	11500	11500	8500	11300
Wire lenght (cm)	-	-	-	-	-	-	-	-
SAFETY SYSTEMS								
Child Lock	-	-	-	-	-	-	-	-
Automatic safety disconnection	-	-	-	-	-	-	-	-
Residual heat indicator	-	-	-	-	-	-	-	-

Modelo	EX 70.1 5G AI AL DR CI	EX 60.1 4G AI DR CI	EX 60.1 4G AI AL DR	EX 60.1 3G AI AL DR CI	EX 60.1 4G AI AL CI	EH 60 4G AI AL TR CI	HLX 50 4G AL
BUILT-IN DIMENSIONS							
Width (mm)	553	553	553	553	553	553	580
Depth (mm)	473	473	473	473	473	473	415
Height (mm)	52	52	52	52	52	83	35
COOKING ELEMENTS							
COOKING ZONE -left front , (Type)	AUXILIARY	AUXILIARY	AUXILIARY	-	AUXILIARY	Triple Ring	RAPID
COOKING ZONE -left center , (Type)	-	-	-	DOUBLE RING	-	-	-
COOKING ZONE -left rear , (Type)	SEMIRAPID	DOUBLE RING	DOUBLE RING	-	SEMIRAPID	Semirapid	SEMIRAPID
COOKING ZONE - center front , (Type)	-	-	-	-	-	-	-
COOKING ZONE -center center , (Type)	DOUBLE RING	-	-	-	-	-	-
COOKING ZONE -center rear , (Type)	-	-	-	-	-	-	-
COOKING ZONE -right front , (Type)	SEMIRAPID	SEMIRAPID	SEMIRAPID	SEMIRAPID	SEMIRAPID	Auxiliary	AUXILIARY
COOKING ZONE -right center , (Type)	-	-	-	-	-	-	-
COOKING ZONE -right rear , (Type)	RAPID	RAPID	RAPID	RAPID	RAPID	Rapid	SEMIRAPID
COOKING ZONE -left front , mm	-	-	-	-	-	-	-
COOKING ZONE -left center , mm	-	-	-	-	-	-	-
COOKING ZONE -left rear , mm	-	-	-	-	-	-	-
COOKING ZONE -center front , mm	-	-	-	-	-	-	-
COOKING ZONE -center center , mm	-	-	-	-	-	-	-
COOKING ZONE -center rear , mm	-	-	-	-	-	-	-
COOKING ZONE -right front , mm	-	-	-	-	-	-	-
COOKING ZONE -right center , mm	-	-	-	-	-	-	-
COOKING ZONE -right rear , mm	-	-	-	-	-	-	-
COOKING ZONE -left front , (W)	1000	1000	1000	-	1000	3500	3000
COOKING ZONE -left center , (W)	-	-	-	4000	-	-	-
COOKING ZONE -left rear , (W)	1750	4000	4000	-	1750	1750	1750
COOKING ZONE -center front , (W)	-	-	-	-	-	-	-
COOKING ZONE -center center , (W)	4000	-	-	-	-	-	-
COOKING ZONE - center rear,(W)	-	-	-	-	-	-	-
COOKING ZONE -right front , (W)	1750	1750	1750	1750	1750	1000	1000
COOKING ZONE -right center , (W)	-	-	-	-	-	-	-
COOKING ZONE -right rear , (W)	2800	2800	2800	2800	2800	3000	1750
ELECTRICAL FEATURES							
Maximum Nominal Power (W)(Induction or VTC)	-	-	-	-	-	-	-
Maximum Nominal Power (W) (Gas)	11300	9550	9550	8550	7300	9250	7500
Wire lenght (cm)	-	-	-	-	-	-	-
SAFETY SYSTEMS							
Child Lock	-	-	-	-	-	-	-
Automatic safety disconnection	-	-	-	-	-	√	-
Residual heat indicator	-	-	-	-	-	-	-

Modelo	EP 60 4G AI CI	IZC 42300	IR 4200	IRF 3200	IZS 34600
--------	----------------	-----------	---------	----------	-----------

BUILT-IN DIMENSIONS

Width (mm)	580	420	420	270	280
Depth (mm)	500	490	500	500	490
Height (mm)	30	50	50	55	63

COOKING ELEMENTS

COOKING ZONE -left front , (Type)	RAPID	Single Zone	Single Zone	-	-
COOKING ZONE -left center , (Type)	-	-	-	-	-
COOKING ZONE -left rear , (Type)	SEMIRAPID	-	-	-	-
COOKING ZONE - center front , (Type)	-	-	-	FlexZone	FlexZone
COOKING ZONE -center center , (Type)	-	-	-	-	-
COOKING ZONE -center rear , (Type)	-	-	-	FlexZone	FlexZone
COOKING ZONE -right front, (Type)	SEMIRAPID	-	-	-	-
COOKING ZONE -right center, (Type)	-	-	-	-	-
COOKING ZONE -right rear, (Type)	AUXILIARY	Single Zone	Single Zone	-	-
COOKING ZONE -left front , mm	-	145	145	-	-
COOKING ZONE -left center , mm	-	-	-	-	-
COOKING ZONE -left rear , mm	-	-	-	-	-
COOKING ZONE -center front , mm	-	-	-	235x190	255x200
COOKING ZONE -center center, mm	-	-	-	-	-
COOKING ZONE -center rear , mm	-	-	-	235x190	255x200
COOKING ZONE -right front, mm	-	-	-	-	-
COOKING ZONE -right center, mm	-	-	-	-	-
COOKING ZONE -right rear , mm	-	260	260	-	-
COOKING ZONE -left front, (W)	-	1250-1800	1250 - 1800	-	-
COOKING ZONE -left center, (W)	2800	-	-	-	-
COOKING ZONE -left rear, (W)	-	-	-	-	-
COOKING ZONE -center front, (W)	1750	-	-	1750 - 2200	1750 - 2200
COOKING ZONE -center center, (W)	-	-	-	-	-
COOKING ZONE - center rear,(W)	-	-	-	1750 - 2200	1750 - 2200
COOKING ZONE -right front, (W)	1750	-	-	-	-
COOKING ZONE -right center, (W)	-	-	-	-	-
COOKING ZONE -right rear, (W)	1000	2250-3000	2250 - 3000	-	-

ELECTRICAL FEATURES

Maximum Nominal Power (W)(Induction or VTC)	-	3500	3200	3200	3500
Maximum Nominal Power (W) (Gas)	7300	-	-	-	-
Wire lenght (cm)	-	110	-	-	110

SAFETY SYSTEMS

Child Lock	-	√	√	√	√
Automatic safety disconnection	√	√	√	√	√
Residual heat indicator	-	√	√	√	√

Modelo	IZC 32300	IR 3200	TZ 3210	TR 3220	VT CM 30 2P	GZC 32300	GZC 31330	EFX 30.1 2P-T
BUILT-IN DIMENSIONS								
Width (mm)	280	270	270	270	270	280	280	282
Depth (mm)	490	500	490	500	500	490	490	482
Height (mm)	55	55	58	55	55	50	50	35
COOKING ELEMENTS								
COOKING ZONE -left front , (Type)	-	-	-	-	-	-	-	-
COOKING ZONE -left center , (Type)	-	-	-	-	-	-	-	-
COOKING ZONE -left rear , (Type)	-	-	-	-	-	-	-	-
COOKING ZONE - center front , (Type)	Single Zone	Single Zone	Single High Light	Single High Light	Single High Light	AUXILIARY	-	Single High Light
COOKING ZONE -center center , (Type)	-	-	-	-	-	-	DOUBLE RING	-
COOKING ZONE -center rear , (Type)	Single Zone	Single Zone	Single High Light	Double High Light	Single High Light	RAPID	-	Single High Light
COOKING ZONE -right front , (Type)	-	-	-	-	-	-	-	-
COOKING ZONE -right center , (Type)	-	-	-	-	-	-	-	-
COOKING ZONE -right rear , (Type)	-	-	-	-	-	-	-	-
COOKING ZONE -left front , mm	-	-	-	-	-	-	-	-
COOKING ZONE -left center , mm	-	-	-	-	-	-	-	-
COOKING ZONE -left rear , mm	-	-	-	-	-	-	-	-
COOKING ZONE -center front , mm	145	145	145	145	145	-	-	-
COOKING ZONE -center center , mm	-	-	-	-	-	-	-	-
COOKING ZONE -center rear , mm	210	210	180	120 / 180	180	-	-	-
COOKING ZONE -right front , mm	-	-	-	-	-	-	-	-
COOKING ZONE -right center , mm	-	-	-	-	-	-	-	-
COOKING ZONE -right rear , mm	-	-	-	-	-	-	-	-
COOKING ZONE -left front , (W)	-	-	-	-	-	-	-	-
COOKING ZONE -left center , (W)	-	-	-	-	-	-	-	-
COOKING ZONE -left rear , (W)	-	-	-	-	-	-	-	-
COOKING ZONE -center front , (W)	1250-1800	1250 - 1800	1200	1200	1200	1000	-	1500
COOKING ZONE -center center , (W)	-	-	-	-	-	-	5000	-
COOKING ZONE - center rear ,(W)	2250-3000	2250 - 3000	1800	700 - 1700	1800	2800	-	1500
COOKING ZONE -right front , (W)	-	-	-	-	-	-	-	-
COOKING ZONE -right center , (W)	-	-	-	-	-	-	-	-
COOKING ZONE -right rear , (W)	-	-	-	-	-	-	-	-
ELECTRICAL FEATURES								
Maximum Nominal Power (W)(Induction or VTC)	3500	3200	3000	2900	3000	-	-	-
Maximum Nominal Power (W) (Gas)	-	-	-	-	-	3800	5000	-
Wire lenght (cm)	110	-	110	110	-	-	110	100
SAFETY SYSTEMS								
Child Lock	✓	✓	✓	✓	-	-	-	-
Automatic safety disconnection	✓	✓	✓	✓	-	-	-	-
Residual heat indicator	✓	✓	✓	✓	✓	-	-	✓

Modelo	EFX 30.1 2P	EFX 30.1 2H	EFX 30.1 2H-T	EFX 30.1 2G AI AL CI	EFX 30.1 FRYER	EFX 30.1 TEP- PANYAKI	EFX 30.1 GRILL
BUILT-IN DIMENSIONS							
Width (mm)	282	282	282	-	282	282	282
Depth (mm)	482	482	482	-	160	160	160
Height (mm)	35	45	40	-	482	482	482
COOKING ELEMENTS							
COOKING ZONE -left front . (Type)	-	-	-	-	-	-	-
COOKING ZONE -left center . (Type)	-	-	-	-	-	-	-
COOKING ZONE -left rear . (Type)	-	-	-	-	-	-	-
COOKING ZONE - center front . (Type)	Single High Light	Single High Light	Single High Light	-	-	-	-
COOKING ZONE -center center . (Type)	-	-	-	-	-	-	-
COOKING ZONE -center rear . (Type)	Single High Light	Single High Light	Single High Light	-	-	-	-
COOKING ZONE -right front . (Type)	-	-	-	-	-	-	-
COOKING ZONE -right center . (Type)	-	-	-	-	-	-	-
COOKING ZONE -right rear . (Type)	-	-	-	-	-	-	-
COOKING ZONE -left front , mm	-	-	-	-	-	-	-
COOKING ZONE -left center , mm	-	-	-	-	-	-	-
COOKING ZONE -left rear , mm	-	-	-	-	-	-	-
COOKING ZONE -center front , mm	-	145	145	-	-	-	-
COOKING ZONE -center center . mm	-	-	-	-	-	-	-
COOKING ZONE -center rear , mm	-	180	180	-	-	-	-
COOKING ZONE -right front , mm	-	-	-	-	-	-	-
COOKING ZONE -right center , mm	-	-	-	-	-	-	-
COOKING ZONE -right rear , mm	-	-	-	-	-	-	-
COOKING ZONE -left front . (W)	-	-	-	-	-	-	-
COOKING ZONE -left center . (W)	-	-	-	-	-	-	-
COOKING ZONE -left rear . (W)	-	-	-	-	-	-	-
COOKING ZONE -center front . (W)	1500	1200	1200	-	-	-	-
COOKING ZONE -center center . (W)	-	-	-	-	-	-	-
COOKING ZONE - center rear.(W)	1500	1800	1800	-	-	-	-
COOKING ZONE -right front . (W)	-	-	-	-	-	-	-
COOKING ZONE -right center . (W)	-	-	-	-	-	-	-
COOKING ZONE -right rear . (W)	-	-	-	-	-	-	-
ELECTRICAL FEATURES							
Maximum Nominal Power (W)(Induction or VTC)	-	3000	3000	-	2300	2400	2400
Maximum Nominal Power (W) (Gas)	-	-	-	1100	-	-	-
Wire lenght (cm)	100	100	100	100	135	135	135
SAFETY SYSTEMS							
Child Lock	-	-	-	-	-	-	-
Automatic safety disconnection	√	√	√	-	√	√	-
Residual heat indicator	-	√	√	-	-	-	-