

76.2cm Monolith refrigerator

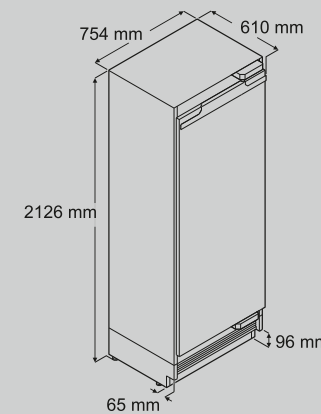


76.2

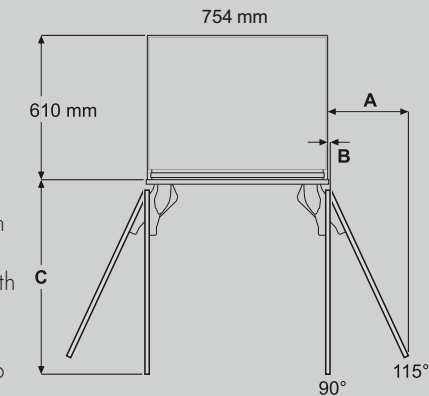
EKB 9471	
Bio Fresh Plus	A++
Infinity Swipe	Infinity Light
Infinity Spring	Soft System
Soft Telescopic	Smart Device
Super Cool	Power Cooling
Energy efficiency class	A++
Energy consumption kWh (year / 24h)	141 / 0.385
Noise output in dB(A)	39
Total net capacity of refrigerator in litres	430
of which BioFresh net capacity in litres	188
Number of storage shelves, of which height-adjustable	4 / 3
Number of door racks	3
Number of BioFresh/BioFresh-Plus safes with LED lighting	2 / 1
Electronic control	InfinitySwipe
Temperature range of refrigerator °C	+2 °C to +7 °C
Defrosting method	automatic
Interior lighting	InfinityLight
Integrated water dispenser / fixed water connection 3/4"	InfinitySpring
Water filter	yes
Door hinge	right, reversible *
Appliance dimensions	
in cm (H/W/D)	212.6/75.4/61
Recess dimensions	
in cm (H/W/D)	213.4/76.2/63.5
Net weight in kg	179.0
Voltage in V~/connected load in A	220-240/1.5

* Please contact the authorised Liebherr Monolith customer service for reversing the door hinge.

Appliance dimensions



IMPORTANT!
The adjustable feet are fully retracted for the minimum height stated. The appliance height is raised by turning the adjustable feet. Once the appliance has been positioned in the recess, it is raised using the adjustable feet - in each case from the front of the appliance - so that the appliance comes into contact with the anti-tipping device. To achieve the minimum plinth panel height of 102 mm, the adjustable feet have to be lifted up to 6-8 mm. If the plinth panel should be higher than 102 mm, the adjustable feet can be raised by a maximum of 26 mm.



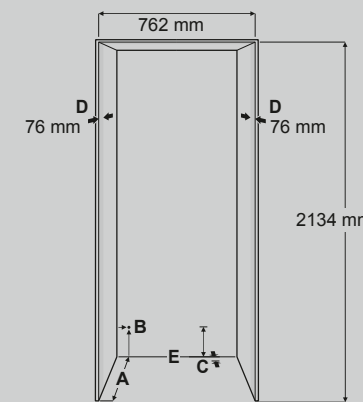
Inset door panel
A = 337 mm
B = 12.5 mm
C = 810 mm

Overlay door panel
A = 343 mm
B = 12.5 mm
C = 822 mm

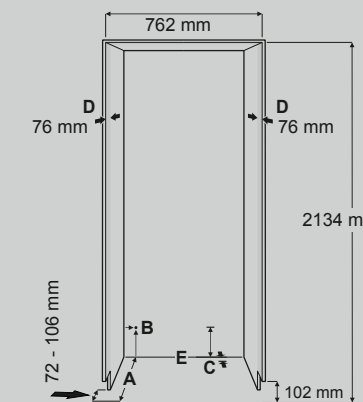
Dimension A = without fitted door handle

Recess dimensions

Individual plinth panel



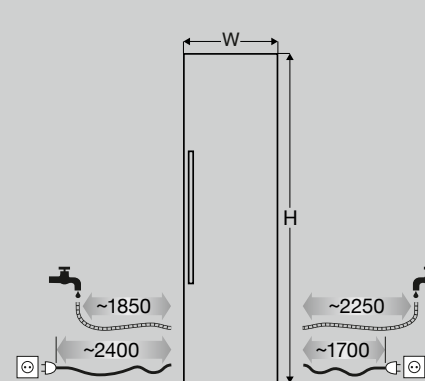
Continuous plinth panel



- A** Unit depth
with overlay door panel installation: 635 mm
with inset door panel installation: 635 mm + thickness of custom panel.
- B** Point at which the mains cable exits from the rear of the appliance (19 mm from the left and 127 mm from the floor). The free length of the mains cable is 2.5 m.
- C** The appliance has a recess in this area for cable and water line routing: Depth is 25 mm, and height 140 mm across the entire appliance width.
- D** This surface is visible when the appliance door is opened. Designed finish is therefore recommended.
- E** The anti-tipping device positioned at the base of the appliance must be secured to the floor or to the wall.

Door panel dimensions

and dimensions of free length for power / water



Inset installation

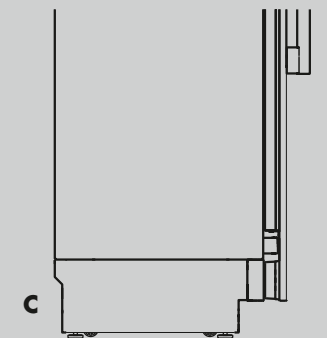
H = 2029 mm
W = 756 mm

Overlay installation

H = 2032 mm
(plus the dimensions of overlapping of the panel on the top)
W = 762 mm
(plus the dimensions of overlapping of the panel on both sides)

Thickness of the panel: min. 16 mm* / max. 30 mm
Weight of panel: max. 35 kg

Installations behind the appliance are not possible.



Optional accessories

- Flat brushed aluminium handle
- Square brushed aluminium handle
- Round stainless steel handle
- Stainless steel panel
- Plinth panel made of stainless steel
- Side-by-Side set
- Door hinge exchange set

Optional accessories on page 38-39.

* If a five-piece shaker style panel is used, which is thinner than the minimum panel thickness, shorter screws than those supplied in the accessory pack must be used.

For further relevant planning and safety requirements see pages 40-47.